

OMRON

T20 Pendant

User's Manual



I601-E-04

Copyright Notice

The information contained herein is the property of OMRON, and shall not be reproduced in whole or in part without prior written approval of OMRON. The information herein is subject to change without notice and should not be construed as a commitment by OMRON. The documentation is periodically reviewed and revised.

OMRON, assumes no responsibility for any errors or omissions in the documentation.

Copyright © 2020 by OMRON Corporation

Any trademarks from other companies used in this publication are the property of those respective companies.

Created in the United States of America

Table of Contents

Chapter 1: Introduction	9
1.1 Product Description	9
Features	9
System Compatibility	9
1.2 Proper Handling of the Pendant	10
1.3 How Can I Get Help?	10
Related Manuals	10
Chapter 2: Safety	13
2.1 Dangers, Warnings, Cautions	13
Alert Icons	13
Special Information	13
2.2 What to Do in an Emergency or Abnormal Situation	13
Stopping the Robot	14
Fire Response	14
2.3 Safety Precautions	14
2.4 Additional Safety Information	15
Manufacturer's Declarations	15
Robot Safety Guide	15
Emergency Stop Circuit and Buttons	15
Safety Standard Compliance	15
2.5 Disposal	16
Chapter 3: Installation and Setup	17
3.1 Transport and Storage	17
3.2 Unpacking the Pendant	17
3.3 Repacking for Shipment	17
3.4 Operating Environment	18
3.5 Installation	18
Chapter 4: Operation	23
4.1 Using the Pendant Controls and Indicators	23
Keypad Functions	25
4.2 Enable Switch	27
4.3 Turning Power ON and OFF	28
Turning Robot Power ON	28

Turning OFF Power from the T20 Pendant	29
4.4 User Interface Operation	29
User Interface Controls	29
User Interface Flow Diagram	30
Displaying the Home Screens	33
4.5 Using Jog Mode	34
COMP Mode	35
Joint Mode	35
World Mode	36
Tool Mode	37
Free Mode	38
4.6 Speed Control	38
4.7 Position Display	39
4.8 Smart Locations	40
4.9 Available Frames	41
Enable Frame-Based Jogging	42
A Note about Frame-mode Jogging	42
4.10 Available Tools	43
4.11 Location Teaching	43
Adding Approach Distance	46
Using Jog To	46
Align	47
4.12 I/O Signals	47
4.13 Displaying and Clearing Errors	49
Chapter 5: Maintenance	51
5.1 The System Maintenance Screen	51
5.2 Setting the Screen Saver	52
5.3 Setting the Initial Speed	53
5.4 Enabling Smart Locations	53
5.5 Setting the Approach Distance	53
5.6 Enabling Pendant Messages	54
5.7 Displaying System Information	54
5.8 Displaying Recent Errors	55
5.9 Updating the Pendant Firmware	56
5.10 Loss of Communication	58
5.11 Cleaning	58
5.12 Periodic Maintenance	58

Chapter 6: Technical Specifications	59
6.1 Dimension Drawings	59
6.2 Pendant Specifications	59

Revision History

Revision code	Date	Revised Content
A	May, 2012	Original production release.
B	July, 2013	Updates for the new user interface
C	March, 2014	Added references to eV+ Language User's Guide.
D	May, 2016	General updates .
E	June, 2016	Minor specification updates
F	March, 2019	Minor updates for translation.
G	July, 2020	Update for NJ-series Robot Integrated CPU Unit.
H	August, 2020	Minor corrections and revisions.

Chapter 1: Introduction

This manual covers the setup, operation, and user maintenance of the T20 pendant.

1.1 Product Description

The T20 pendant provides a user interface and teach pendant in an ergonomic and rugged package. The T20 pendant is designed for right or left-handed use. All gripping and holding positions enable comfortable and fatigue-free operation.

Features

The safety features include:

- Emergency stop switch (dual-channel circuit)
- Three-position enable switch that prevents pendant input or robot motion when the switch is not engaged

The software features include the ability to:

- Control the robot by enabling and disabling power and jogging the robot

The T20 pendant can only move one robot at a time, even if multiple robots are connected to a SmartController EX, and the pendant is connected to the SmartController EX.

If there is no SmartController EX in the system, the pendant can only be connected to a single robot at any given time. A single pendant connection can only control a single robot for systems using an iCS-ECAT or eCS-ECAT controller.

- Teach locations
- Use Smart Locations, which allow you to work with locations through the Frame and Tool screens
- Display robot position, system status, system identification, and error messages
- Display and exchange digital I/O with the robot

The pendant cannot exchange digital I/O over the EtherCAT network.

- Debug (and teach) V+ programs using Step mode

System Compatibility

The T20 pendant works with a robot that is controlled by a control system that runs eV+.

The iCS and eCS robots require a T20 with firmware v3.x+.

A T20 with v3.x firmware will also support eAIB, SmartController EX, eMB-40, and eMB-60 controllers running eV+ 2.4 or later. A T20 pendant running v2.x firmware must be upgraded to at least 2.3.3.14 firmware to work with eV+ 2.4 or later.

NOTE: A T20 pendant with 2.x firmware cannot be upgraded to 3.x firmware.

1.2 Proper Handling of the Pendant

To avoid malfunctions or damage through improper handling, and possible voiding of the warranty, follow these instructions during operation.

- When you are not using the T20 pendant, place it in a safe location and clear of the robot working envelope.
- Never place the T20 pendant with the display screen facing down, to avoid damaging the buttons or display.
- Never place the T20 pendant on an unstable surface. It could fall to the ground and be damaged.
- Never place the T20 pendant close to heat sources or in direct sunlight.
- Avoid exposing the T20 pendant to mechanical vibrations, excessive dust, humidity, or strong magnetic fields.
- Never clean the T20 pendant display screen or other surfaces with solvents, abrasive cleaners, or scrubbing sponges.
- Make sure that no foreign objects or liquids can penetrate into the T20 pendant.



WARNING: When the cable entrance cover is removed, the T20 pendant is sensitive to electrostatic discharge.

1.3 How Can I Get Help?

Refer to the corporate website:

<http://www.ia.omron.com>

Related Manuals

This guide covers the installation, operation, and maintenance of the T20 pendant. There are additional manuals that cover programming the system, reconfiguring installed components, and adding other optional components. See the table that follows. These manuals are also available on the software media shipped with each robot system.

Table 1-1. Related Manuals

Manual	Description
Robot Safety Guide (Cat. No. I590)	Contains safety information for our robots.
SmartController EX User's Guide (Cat. No. I602)	Contains complete information on the installation and operation of the SmartController EX motion controller.

Manual	Description
ACE User's Guide (Cat. No. I603)	Describes the ACE software environment and use with a control system. This documentation is included in the ACE software installation.
eV+ Language User's Guide (Cat. No. I604)	Describes the eV+ language and programming of a control system.
eV+ Language References Guide (Cat. No. I605)	Detailed descriptions of the keywords in the eV+ language.
eV+ Operating System User's Guide (Cat. No. I606)	Describes the eV+ operating system. Loading, storing, and executing programs are covered in this guide.
eV+ Operating System Reference Guide (Cat. No. I607)	Describes the eV+ operating system commands (known as monitor commands).
eV+3 User's Manual (Cat. No. I651)	Describes the eV+ language and programming of a control system for eV+ version 3.x and later.
eV+3 Keyword Reference Manual (Cat. No. I652)	Detailed descriptions of the keywords in the eV+ language for eV+ version 3.x and later.
NJ-series Robot Integrated CPU Unit User's Manual (Cat. No. O037)	Describes the settings and operation of the CPU Unit and programming concepts for OMRON robot control.
Sysmac Studio Version 1 Operation Manual (Cat. No. W504)	Describes the operating procedures of the Sysmac Studio.
Robot user's guide	User Guide for the robot in use.
Sysmac Studio Integrated Robot System Control Function Operation Manual (Cat. No. W595)	Learning about the operating procedures and functions of the Sysmac Studio to configure Robot Integrated System using Robot Integrated CPU Unit.

Chapter 2: Safety

2.1 Dangers, Warnings, Cautions

The following levels of alert notation are used in this manual, in descending order of importance.



WARNING: Identifies a potentially hazardous situation which, if not avoided, will result in minor or moderate injury, and might result in serious injury, fatality, or significant property damage.



CAUTION: Identifies a potentially hazardous situation which, if not avoided, might result in minor injury, moderate injury, or property damage.

Alert Icons

The icon that starts each alert can be used to indicate the type of hazard. These will be used with the appropriate signal word - Danger, Warning, or Caution - to indicate the severity of the hazard. The text following the signal word will specify what the risk is, and how to avoid it.

Icon	Meaning	Icon	Meaning
	This is a generic alert icon. Any specifics on the risk will be in the text following the signal word.		This identifies a hazardous electrical situation.

Special Information

There are several types of notation used to call out special information.

IMPORTANT: Information to ensure safe use of the product.

NOTE: Information for more effective use of the product.

Additional Information: Offers helpful tips, recommendations, and best practices.

Version Information: Information on differences in specifications for different versions of hardware or software.

2.2 What to Do in an Emergency or Abnormal Situation

Stopping the Robot

Press any E-Stop button (a red push-button on a yellow background) and then follow the internal procedures of your company or organization for an emergency situation.

Fire Response

If a fire occurs, use CO₂ to extinguish the fire.

2.3 Safety Precautions



WARNING: ELECTROCUTION RISK

During maintenance, disconnect AC power from the robot, and install a lock-out tag-out to prevent anyone from reconnecting power.



WARNING: PERSONAL INJURY OR PROPERTY DAMAGE RISK

A robot can cause serious injury or death, or damage to itself and other equipment, if the safety precautions in this manual are not observed:

- All personnel who install, operate, teach, program, or maintain the system must read this guide, read the *Robot Safety Guide (Cat. No. I590)*, and complete a training course for their responsibilities in regard to the robot.



Figure 2-1. Read Manual and Impact Warning Labels

- All personnel who design the robot system must read this guide, read the *Robot Safety Guide (Cat. No. I590)*, and must comply with all local and national safety regulations for the location in which the robot is installed.
- The robot system must not be used for purposes other than described in the robot user's guide. Contact your local OMRON representative if you are not sure of the suitability for your application.
- The user is responsible for providing safety barriers around the robot to prevent anyone from accidentally coming into contact with the robot when it is in motion.
- Lock out and tag out power to the robot and its power supply before performing any maintenance on the robot.

2.4 Additional Safety Information

We provide other sources for more safety information:

Manufacturer's Declarations

This lists the standards with which our robots and controllers comply. The Manufacturer's Declarations are in the *Manufacturer's Declarations Guide (p/n 18305-000)*.

Robot Safety Guide

The *Robot Safety Guide (Cat. No. I590)* provides detailed information on safety for our robots. It also gives resources for more information on relevant standards. It ships with each robot.

Emergency Stop Circuit and Buttons

The E-Stop provided complies with ISO 10218-1 (Clause 5.5.2), with stop category 1 (per IEC 60204). The E-stop button complies with ISO 13850. The E-Stop meets the requirements of PL-d per ISO 13849.

Safety Standard Compliance

The protective stop category for the pendant enable switch is category 1, which complies with the requirements of ISO 10218-1.

The pendant is designed in accordance with the requirements of IEC 60204-1 and ISO 13849. The E-Stop button is ISO 13850.

The robot control system is designed so that when the robot is placed under pendant control, initiation of robot motion or control selection from any other source is prevented.

This is in compliance with ISO 10218-1.

2.5 Disposal



Dispose of in accordance with applicable regulations.



Customers can contribute to resource conservation and protecting the environment by the proper disposal of WEEE (Waste Electronics and Electrical Equipment). All electrical and electronic products should be disposed of separately from the municipal waste system via designated collection facilities. For information about disposal of your old equipment, contact your local OMRON representative.

Chapter 3: Installation and Setup

This chapter covers the installation and setup of the T20 pendant.

3.1 Transport and Storage

The T20 pendant must be shipped and stored in a temperature-controlled environment, within the range -25 to $+60^{\circ}\text{C}$ (-13 to 140°F). The recommended humidity range is 5% to 95%, non-condensing. It should be shipped and stored in the original packaging, which is designed to prevent damage from normal shock and vibration. You should protect the packaging from excessive shock and vibration. The pendant must always be stored and shipped in a clean, dry area that is free from condensation.

The T20 pendant weighs 480 g (1.1 lb) without the adapter cable installed.

3.2 Unpacking the Pendant

Carefully inspect the shipping packages for evidence of damage during transit. If any damage is indicated, request that the carrier's agent be present at the time the container is unpacked.

Before signing the carrier's delivery sheet, compare the actual items received (not just the packing slip) with your equipment purchase order. Verify that all items are present and that the shipment is correct and free of visible damage.

- If the items received do not match the packing slip, or are damaged, do not sign the receipt. Contact your local OMRON representative as soon as possible.
- If the items received do not match your order, please contact your local OMRON representative immediately.
- Retain all containers and packaging materials. These items may be necessary to settle claims.

Remove the pendant from its box and place it on its back on a flat surface.

3.3 Repacking for Shipment

If the pendant needs to be shipped, reverse the steps in the installation procedures in this chapter. Reuse all original packing containers and materials and follow all safety notes used for installation. Improper packaging for shipment will void your warranty.

3.4 Operating Environment

The T20 pendant is designed to operate in the following environment:

- Temperature: 0 to 45°C (32 to 113°F)
- Humidity: 0% to 95%, non-condensing



CAUTION: Do not use the T20 pendant in hazardous environments (explosive gas, water, dust, oil, or mist), in mining operations, or outdoors. It has an IP rating of IP65.

3.5 Installation

The T20 pendant can be used with any robot system using eV+. This may be attached to a single robot or through a SmartController EX motion controller. A Front Panel is required in either case.

Note the following points:

- The E-Stop buttons on the Front Panel and T20 pendant both function and are individually detected.
- The high-power-enable buttons on both devices function independently. The button on either device can enable/disable power on the system.
- In the legacy system there is generally a single controller (SmartController EX) and the pendant is connected to this. If multiple robots are connected to the controller, then a single pendant can be used to control each of them, one at a time. In the new (EtherCAT) system (NJ-series Robot Integrated CPU unit), the pendant needs to be plugged directly into the robot in order to control it, even if other robots are on the EtherCAT network.

There can be as many pendants in the system as there are robots. Therefore, each pendant is only controlling the robot it is connected to. It won't be possible to connect to, select, or control any other robot (other than the directly-connected robot) with the pendant.

About Jumper Plugs

There are two jumpers, or bypass plugs, that can be used with a T20 pendant system. One is a screw-to-lock T20 Pendant Bypass Plug (P/N 10048-000) for the pendant adapter cable, included with the T20 pendant kit. The other is an XMCP jumper plug (P/N 10052-000) included with the XSYSTEM cable assembly.

The reason for the jumper plugs is that the pendant emergency stop switch and the enable switch are wired into the system emergency stop circuitry. If the T20 is not connected and there is no jumper plug in the T20 cable, the system emergency stop circuitry will see this as an E-Stop having been activated, and you cannot enable high power.

To prevent this, when either the pendant cable or the adapter cable will be unplugged, the corresponding jumper plug must be installed.

See the connection diagrams that follow.

Installation without a SmartController EX

The following figure and table show a Front Panel and an T20 pendant connected to an Ether-CAT robot. See your robot User's Guide for additional information.

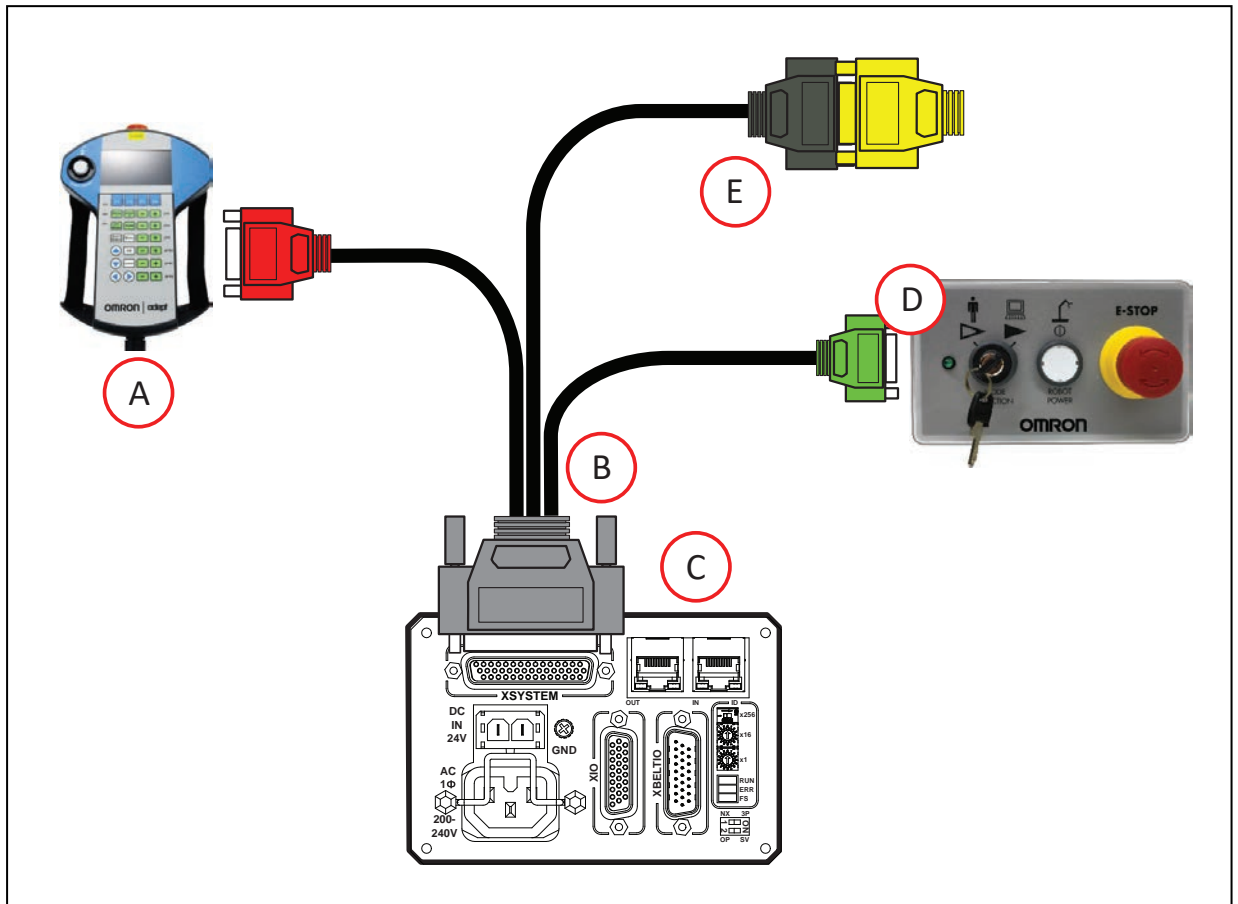


Figure 3-1. Pendant and Front Panel Installation (eCobra EtherCAT Version Shown)

Letter	Meaning	Letter	Meaning
A	T20 Pendant	D	Front Panel
B	XSYSTEM Cable	E	XUSR, with Jumper
C	Robot Interface Panel		

NOTE: A Front Panel or Front Panel Jumper Plug must be connected to the eAIB XSYSTEM Cable Assembly. A T20 Pendant, T20 Pendant Bypass Plug, or XMCP Jumper Plug must be connected to the eAIB XSYSTEM Cable Assembly.

Table 3-1. Pendant and Front Panel Item Descriptions

Item	Description	Part Number
1	Front Panel	90356-10358
2	Front Panel Cable (3 m)	10356-10500
3	Front Panel Jumper Plug	04736-000
4	T20 Pendant Kit	10046-010
5	T20 Pendant Assembly	10054-010
6	T20 Pendant Adapter Cable (3 m)	10051-003
7	T20 Pendant Bypass Plug	10048-000
8	XMCP Jumper Plug	10052-000

NOTE: Items 1 and 2 are included with most OMRON fixed robots. Items 3 and 8 are included with the SmartController EX. Item 4 includes items 5, 6, and 7.

NOTE: A Front Panel or Front Panel Jumper Plug must be connected to the XSYSTEM XFP cable or to the SmartController EX. A T20 Pendant, T20 Pendant Bypass Plug, or XMCP Jumper Plug must also be connected.

Chapter 4: Operation

This chapter describes how to operate the T20 pendant. Before proceeding, you need to perform the steps covered in the Installation and Setup chapter.

4.1 Using the Pendant Controls and Indicators

Use the following diagram to understand the Pendant controls and indicators



Figure 4-1. T20 Pendant Controls and Indicators

Table 4-1. T20 Pendant Control and Indicator Descriptions

Item	Description
1	Display Screen
2	E-Stop Button Press to stop program execution and turn off high power immediately. If the robot is equipped with brakes, activates the brakes.
3	Robot Power Button and Light Press to toggle between high power ON and OFF. Unlike the emergency stop switch, when turning OFF high power, a controlled stop is initiated, where the robot is decelerated under software control. After the robot has stopped, power is turned OFF. When robot power is ON, this button is lit.
4	ACE LED When lit, indicates that the pendant is communicating.
5	ERR LED (Error) When lit, indicates that an error has occurred.
6	JOG LED When lit, indicates that the Joint/Axis control buttons are available to move the robot. Also indicates that the system is not in COMP mode.
7	Keypad (Refer to Keypad Functions in the next section for more information)

Keypad Functions



Figure 4-2. Keypad Functions

Table 4-2. Keypad Descriptions

Item	Description
1	<p>SPEED + and SPEED - Buttons</p> <p>Press to increase or decrease the robot speed as a percentage of the maximum monitor speed (COMP mode) or jog speed (non-COMP modes). The currently set speed is displayed in the Speed indicator on the right side of the display screen.</p>
2	<p>SLOW Button</p> <p>Press to toggle between slow speed and normal speed. While slow speed is active, press SPEED + or SPEED - to select a robot speed within the slow speed range, which is from 0 to 20% of the normal robot speed. Press the SLOW button again to return to normal speed.</p>

Item	Description
3	<p>JOG MODE Button</p> <p>Press to cycle through COMP, Joint, World, Tool, or Free modes, and then return to COMP mode. The currently selected mode is displayed in the Jog Mode indicator on the left side of the display screen. A prolonged press on this button will change the mode back to COMP.</p>
4	<p>MENU Button</p> <p>Press to display the Home 1 screen.</p>
5	<p>SELECT ROBOT Button</p> <p>When more than one robot is connected to a SmartController EX, press to cycle through the connected robots. The currently selected robot is displayed in the Selected Robot indicator on the display screen.</p> <p>The T20 pendant can move multiple robots independently and sequentially, but cannot move multiple robots simultaneously.</p>
6	<p>OK Button</p> <p>Press to select a setting to be changed, to implement a change, or to clear an error message.</p>
7	<p>CANCEL Button</p> <p>Press to return to the previous screen or to clear an error message.</p>
8	<p>Arrow Buttons</p> <p>Press to make selections or to scroll through lists.</p>
9	<p>F1 - F4 Function Buttons</p> <p>When using the display screen, press the function button (F1 to F4) that is under the soft key you want to select. For example, from the Home 1 screen, press F1 to select the Disp (Display) soft key.</p>
10	<p>Joint / Axis Control Buttons</p> <p>Press a '+' button to move a joint or a Cartesian coordinate in the positive direction. Press a '-' button to move in the negative direction. These buttons work all the time while power is on and a jog mode is selected. Multiple joints or Cartesian coordinates can be moved simultaneously by pressing multiple buttons.</p>

4.2 Enable Switch

The pendant is equipped with a 3-position enable switch. The enable switch is located on the back of the pendant, as shown in the following figure.



WARNING: Improper use of the pendant can cause hazards. Ensure that you always use the pendant properly, following the instructions in this manual.



Figure 4-3. 3-Position Enable Switch (Circled)

The full-out and full-in positions disable all output, as shown in the following table. In order to enable high power in Manual mode, the switch must be activated. For details, see Turning Robot Power ON on page 28.

Table 4-3. Enable Switch Positions on Pendant

Function	Switch Position	Switch Contacts
Home	Not pressed (out)	Open
Enable	Partially pressed (half-way, in middle position)	Closed
Panic	Fully pressed (in)	Open

4.3 Turning Power ON and OFF

This section discusses how to turn the power on and off in both auto and manual modes, as well as after an E-Stop is pressed.

NOTE: When power is disabled, the pendant automatically changes to COMP mode, and cannot change out of COMP mode. The Power button is functional even when the screen saver is on. Pressing any other button only clears the screen saver.

Turning Robot Power ON

The Robot Power light uses the same blinking pattern as the Front Panel: Fast blink when the enable switch is released in manual mode; slow blink when the "Power button must be pushed after an ENABLE POWER command" feature is enabled in the controller configuration.

In Auto Mode

1. Make sure the Auto/Manual mode key switch on the Front Panel is set to Auto mode.
2. Press and release the Robot Power button on the pendant. After a few seconds, high power to the robot turns on, and the Robot Power button on the pendant lights.

In Manual Mode

NOTE: When enabling power in manual mode, the pendant will display a notification screen that requests that user press and hold the enable switch. For details on the enable switch location, see Enable Switch on page 27.

1. Make sure that the Auto/Manual key switch on the Front Panel is set to Manual mode. If any errors occur, the ERR LED lights. Press OK or Cancel to clear errors.
2. Press and release the Robot Power button on the pendant.
3. Press the pendant enable switch to the middle position. After a few seconds, high power to the robot turns on, and the Robot Power button on the pendant lights.

After an E-Stop

To turn ON high power after pressing the pendant emergency stop (E-Stop) button, perform the following procedure:

1. Twist the E-Stop button to the right (clockwise). The button is spring-loaded and will return to its normal position. If any errors occur, the ERR LED lights. Press OK or Cancel to clear errors.
2. Press the pendant enable switch (to its Enable position) to turn ON high power.

After Enable Switch Is Released

When the system is set to Manual mode and you release the enable switch (or select the "panic" position), the system turns off in a controlled manner. This puts the system in a different state than when the E-Stop button is pressed.

To turn ON high power in this situation, perform the following procedure:

1. Press the enable switch (to its Enable position). If any errors occur, the ERR LED lights. Press OK or Cancel to clear errors.
2. Press and release the Robot Power button to turn ON high power.

Turning OFF Power from the T20 Pendant

You have three options for turning OFF power from the pendant:

- Press Robot Power
- Press the E-Stop button
- Release or fully press the enable switch (only available when the system is in Manual mode)

4.4 User Interface Operation

This section describes how to use the T20 user interface.

User Interface Controls

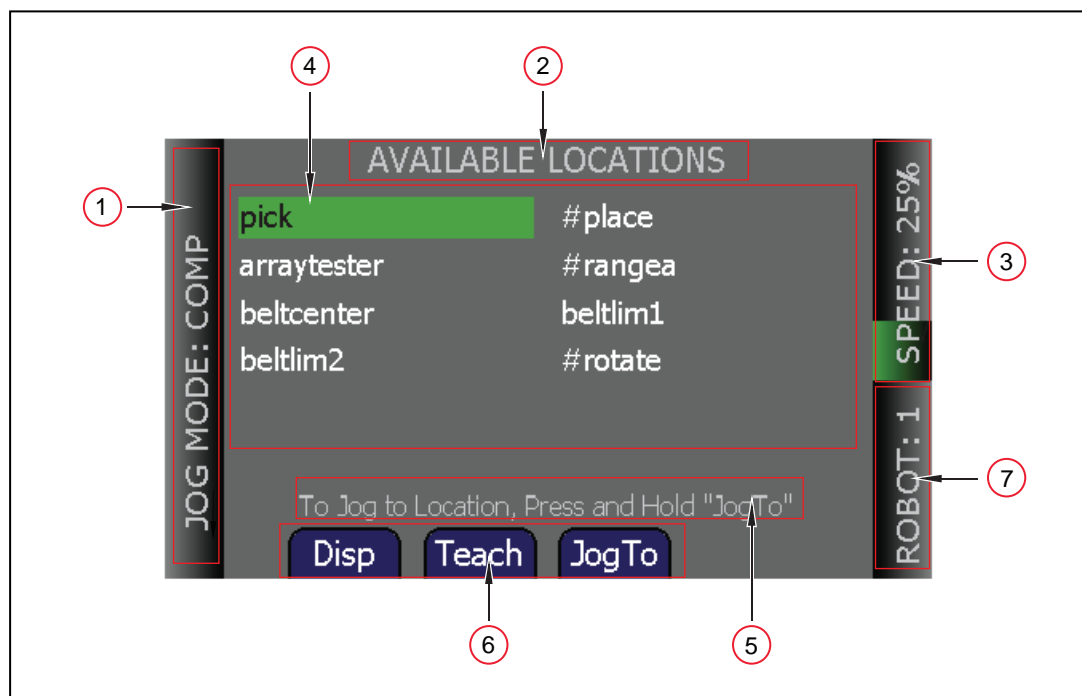


Figure 4-4. T20 Pendant Indicators

Table 4-4. T20 Pendant Indicators

Item	Indicator	Description
1	Jog Mode Indicator	Displays the currently selected Jog Mode: COMP (computer), Joint, World, Tool, or Free. NOTE: This indicator flashes when the jog mode changes.
2	Current Screen Title	Displays the name of the currently displayed screen.
3	Speed Indicator	Displays the current robot speed setting as a percentage of maximum monitor speed (COMP mode) or jog speed (non-COMP modes). Also, the green speed gauge increases or decreases in size to indicate higher or lower speed, respectively. NOTE: While slow speed is active, maximum slow-mode speed is 20% of maximum monitor or jog speed, depending on the jog mode selected.
4	Main Display Area	Displays information about the robot and errors.
5	User Message Area	Displays user messages, such as operating instructions.
6	Soft Key Labels	Displays the labels of the soft keys associated with the currently displayed screen. In some circumstances, soft key labels will be displayed, but will not be available. They will be blue if available, and grey if not.
7	Selected Robot Indicator	Displays the currently selected robot. The currently selected robot is the robot that can be moved and monitored by the software. (This indicator is only applicable when more than one robot is connected to aSmartController EX motion controller.) NOTE: This indicator flashes when the robot number changes.

User Interface Flow Diagram

The following diagram shows the flow of the T20 pendant user interface. Please note the following:

- The Menu button always returns you to the Home 1 screen. See the next section.
- The Cancel button always takes you back one screen (up one level in the diagram). Additionally, in the case of the Expanded Array screens, these continue to repeat, if there are arrays within arrays. At each level, pressing the Cancel button will back up exactly one level.
- The software incorporates a button blocking feature, which ignores continued button

inputs while the pendant is processing the current input. This is most notable during the Power On sequence, which may take a few seconds, during which time the pendant will not respond. This prevents the pendant from suddenly executing a series of queued-up inputs, if you have moved on to a different command screen.

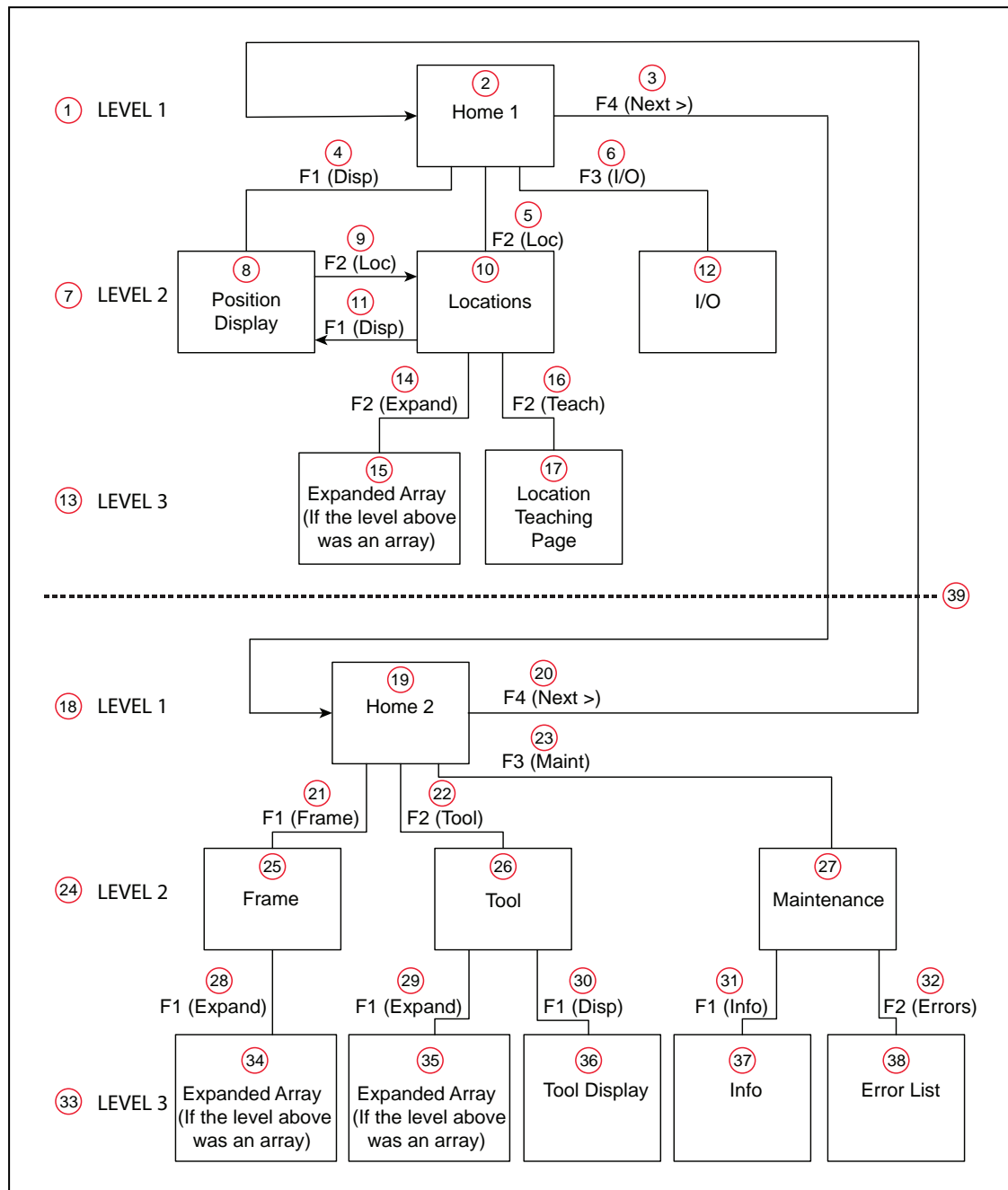


Figure 4-5. User Interface Flow Diagram

Table 4-5. User Interface Flow Descriptions

Item	Description	Item	Description	Item	Description
1	LEVEL 1	14	F2 (Expand)	27	Maintenance
2	Home 1	15	Expanded Array (If the level above was an array)	28	F1 (Expand)
3	F4 (Next >)	16	F2 (Teach)	29	F1 (Expand)
4	F1 (Disp)	17	Location Teaching Page	30	F1 (Disp)
5	F2 (Loc)	18	LEVEL 1	31	F1 (Info)
6	F3 (I/O)	19	Home 2	32	F2 (Errors)
7	LEVEL 2	20	F4 (Next >)	33	LEVEL 3
8	Position Display	21	F1 (Frame)	34	Expanded Array (If the level above was an array)
9	F2 (Loc)	22	F2 (Tool)	35	Expanded Array (If the level above was an array)
10	Locations	23	F3 (Maint)	36	Tool Display
11	F1 (Disp)	24	LEVEL 2	37	Info
12	I/O	25	Frame	38	Error List
13	LEVEL 3	26	Tool	39	Home 1 / Home 2 division

Displaying the Home Screens

Pressing the Menu button on the T20 pendant displays the Home 1 screen as shown below. There are two Home screens. Use the Next > soft key to switch between them.



Figure 4-6. Home 1 Screen

The following table describes the soft keys shown on the Home 1 screen. The soft keys are used for quick access to the different screens and functions on the T20 pendant.

Table 4-6. Home 1 Screen Description

Soft Key	Description
Disp	Accesses the current World or Joint position screens. It also allows you to open and close the gripper.
Loc	Accesses the available locations and associated commands (such as a pick or place), Teach, JogTo, Align, and New functions.
I/O	Accesses the Type and Toggle functions, which allow you to select the type of I/O, and toggle the selected signal on or off.
Next >	Access the Home 2 screen, which displays additional soft keys.

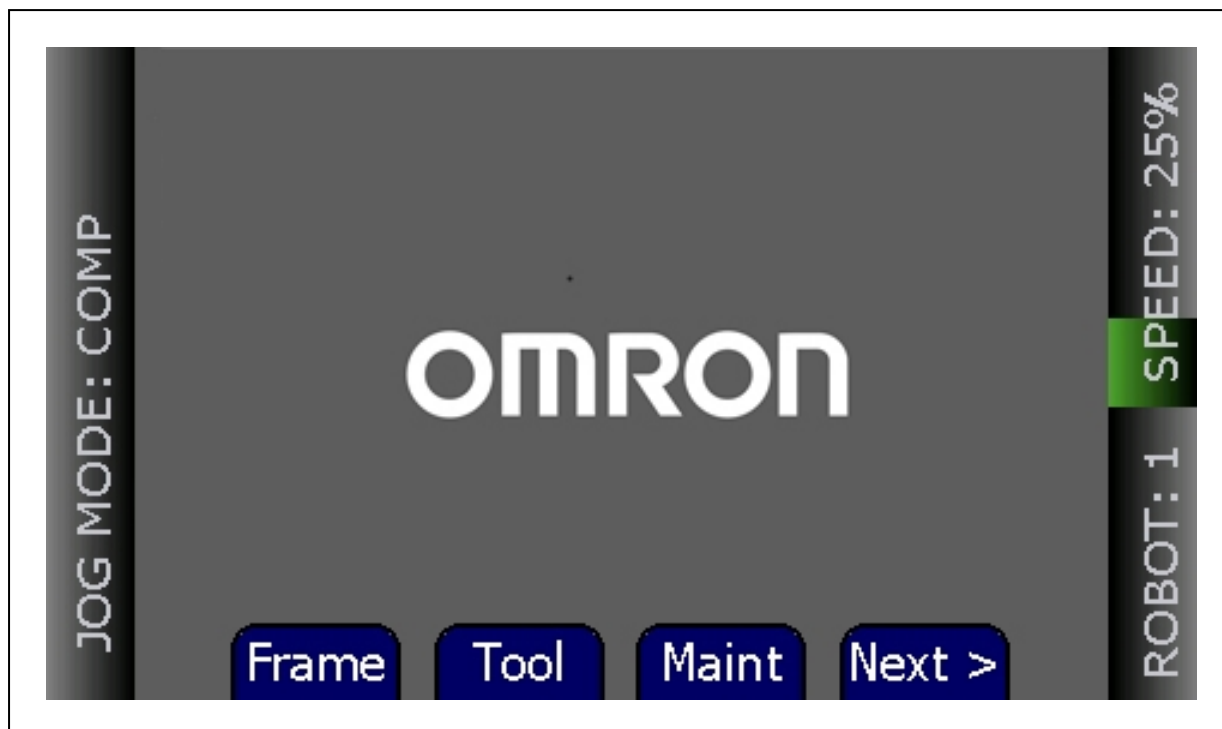


Figure 4-7. Home 2 Screen

The following table describes the soft keys shown on the Home 2 screen.

Table 4-7. Home 2 Screen Description

Soft Key	Description
Frame	Allows displaying available frames and selecting a frame for movement.
Tool	Allows displaying available tools and displaying and setting the current tool.
Maint	Accesses the System Maintenance screen, for setting screen saver, initial speed, Smart Locations, approach distance, pendant messages, system information, error functions, and firmware updates on the pendant.
Next >	Returns to the Home 1 screen.

4.5 Using Jog Mode

Jog Mode and the jog control buttons allow you to position the connected or selected robot. The following jog modes are available in the following order: COMP (computer), Joint, World, Tool, and Free. When high power is enabled and the robot is calibrated, press Jog Mode to step through these modes in sequential order. The selected mode is displayed in the Jog Mode indicator. When any of these modes other than COMP is active, the Jog LED lights. You can use the jog control feature while any of the software screens are displayed.

COMP Mode

In COMP mode, an executing program or the system terminal has control of the robot. To select COMP mode, press the Jog Mode button until COMP is displayed in the Jog Mode indicator.

NOTE: You cannot use jog control to move a robot while in COMP mode.

Joint Mode

When Joint mode is selected, movement is about the axis of the specified joint. The following figure shows a Cobra robot with three rotational joints (Joints 1, 2, and 4) and one translational joint (Joint 3). Positive rotation of Joints 1 and 2 is counterclockwise as viewed from above. Positive rotation of Joint 4 is clockwise as viewed from above. Positive movement of Joint 3 is downward.

Different robots or motion devices will have different joint numbers assigned to their joints. When you first move an unfamiliar robot using Joint mode, set the jog speed to 10 or lower, put the robot in a safe area, and carefully move the robot using the different joint numbers to verify how the pendant moves the robot. See the documentation for the motion devices you are using for details on their joint assignments.

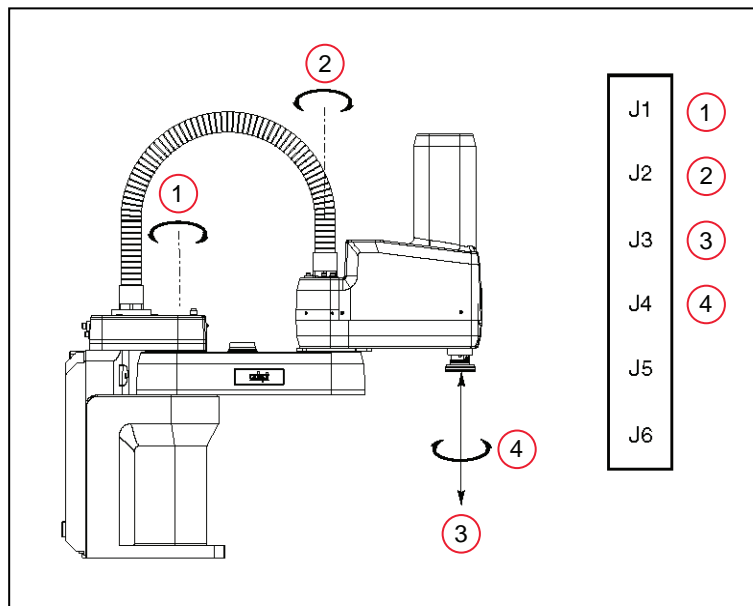


Figure 4-8. Joint Mode - Pendant Joint / Axis Control Buttons (Four-Axis Scara Robot Shown)

Table 4-8. Joint Mode Axis Descriptions

Item	Description
1	Joint 1
2	Joint 2
3	Joint 3
4	Joint 4

To position the robot while in Joint mode:

1. Press the Jog Mode button until Joint is displayed in the Jog Mode indicator.
2. Press and hold the '+' button to move the robot joint in the positive direction; press and hold the '-' button to move the robot joint in the negative direction.

World Mode

When World mode is selected, movement in the X, Y, or Z direction is parallel to an axis of the World coordinate system.

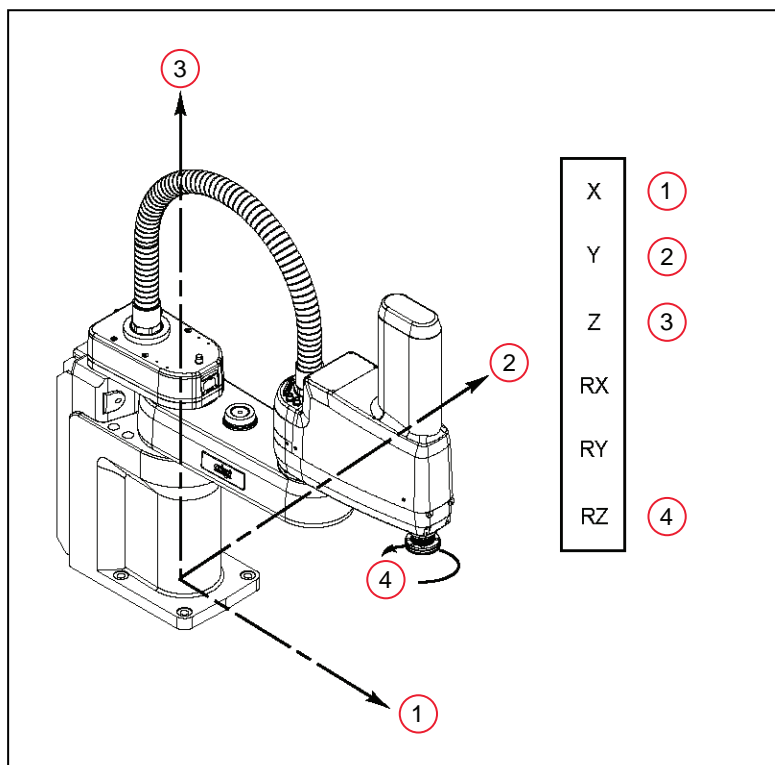


Figure 4-9. World Mode - Pendant Joint / Axis Control Buttons (Four-Axis Scara Robot Shown)

Table 4-9. World Mode Axis Descriptions

Item	Description
1	+X (X Direction)
2	+Y (Y Direction)
3	+Z (Z Direction)
4	+RZ, CCW (RZ Rotation)

To position the robot while in World mode:

1. Press the Jog Mode button until World is displayed in the Jog Mode indicator.
2. Press and hold the '+' button to move the robot tool flange in the positive direction;

press and hold the '-' button to move the flange in the negative direction

Tool Mode

When Tool mode is selected, movement in the X, Y, or Z direction is along an axis of the Tool coordinate system. The Tool coordinate system is centered at the robot tool flange with the Z-axis pointing away from the flange. On most robots, the positive X-axis is aligned with the center of the tool flange keyway.

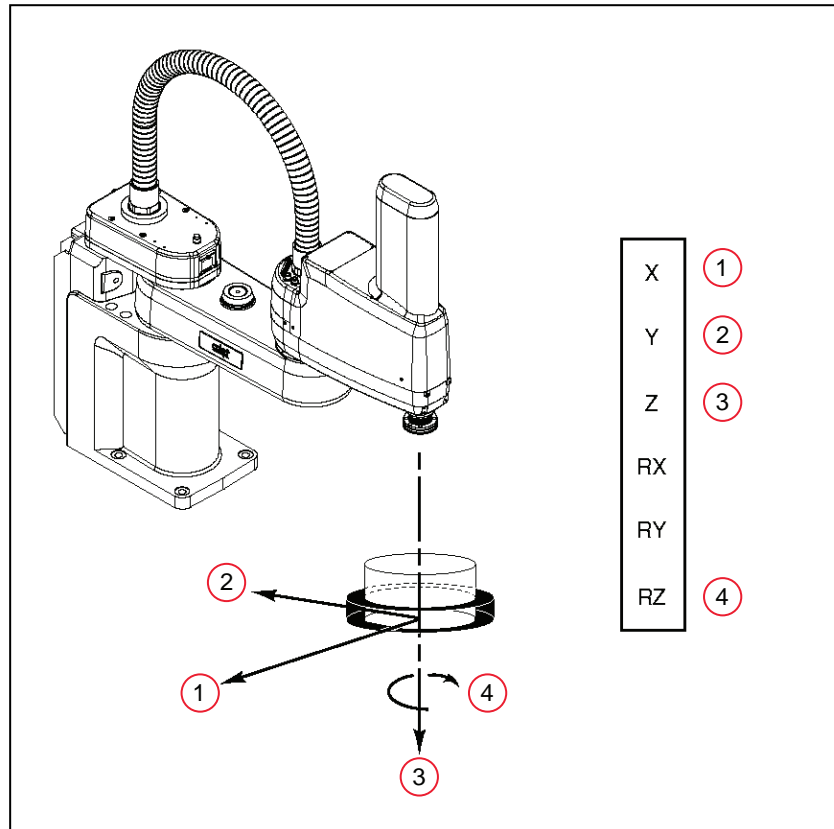


Figure 4-10. Tool Mode - Pendant Joint / Axis Control Buttons (Four-Axis Scara Robot Shown)

Table 4-10. Tool Mode Axis Descriptions

Item	Description
1	+X (X Direction)
2	+Y (Y Direction)
3	+Z (Z Direction)
4	+RZ (Rotation About Tool Z Axis)

NOTE: The previous drawing assumes that the tool transformation is set to null (all values are 0). If a tool transformation is in effect, the tool coordinate system will be offset and rotated by the value of the tool transformation. Any motion in

Tool mode will now be relative to the offset coordinate system, and not the center of the tool flange.

To position the robot while in Tool mode:

1. Press the Jog Mode button until Tool is displayed in the Jog Mode indicator.
2. Press and hold the '+' button to move the robot tool flange in the positive direction; press and hold the '-' button to move the flange in the negative direction. In a four-axis robot, positive rotation of the gripper (RZ) is clockwise as viewed from above.

Free Mode

When Free mode is selected, the motor torque will be zeroed and the brake (if any) for the selected joint will be released. You can make multiple selections with the Joint/Axis control buttons to release as many joints as required.

To select Free mode, press the Jog Mode button until Free is displayed in the Jog Mode indicator. As soon as another jog control mode is selected, all joints are returned to servo control and will not move freely.

On some robots, Free mode is disabled for some of the joints.

The joint assignments in Free mode are the same as the joint assignments in Joint mode. See the preceding figure.



WARNING: When a joint is selected using the Joint/Axis control buttons while in Free mode, the corresponding joint is released and moves freely (in some mechanisms, multiple joints may be released). In many cases, the weight on the joint will be sufficient to move the joint and cause equipment damage or injury to personnel in the workspace.

4.6 Speed Control

You can change the robot speed using the Speed +, Speed -, and Slow buttons. The selected speed will be applied when you use the jog controls to move the robot.

While Slow speed is active, a red horizontal line and hash marks are displayed in the part of the speed indicator above 20%, showing that you cannot increase the speed beyond 20%. See the following figure.

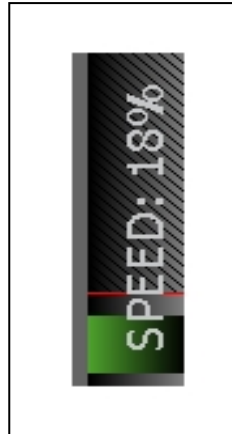


Figure 4-11. Speed Indicator (Slow Mode)

- In COMP mode, the speed control and speed indicator pertain to monitor speed.
- In other modes, the speed control and speed indicator pertain to jog speed.

Jog speed is the percentage of the speed in manual mode, which is settable in the ACE or Sysmac Studio software with the manual control maximum speed parameter.

4.7 Position Display

To display coordinate information about the robot's current position, press Disp. The coordinates for the robot's current location are displayed.

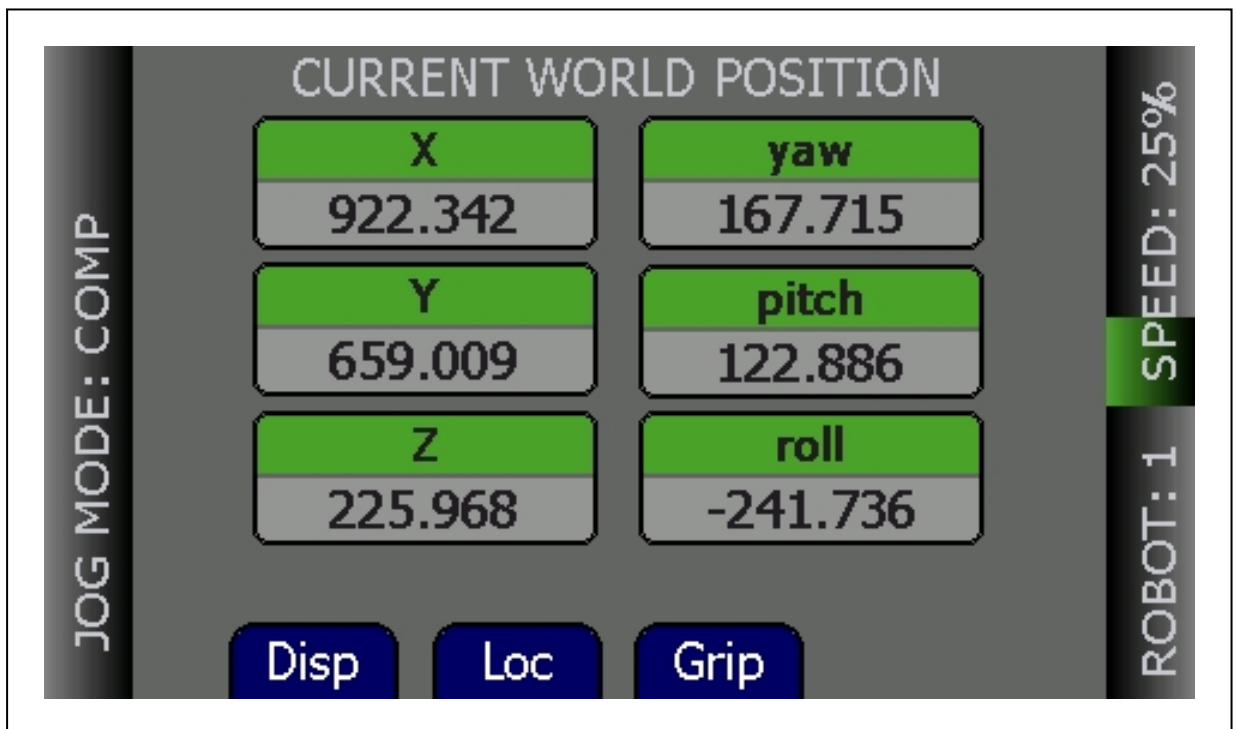


Figure 4-12. Position Display, World Coordinates

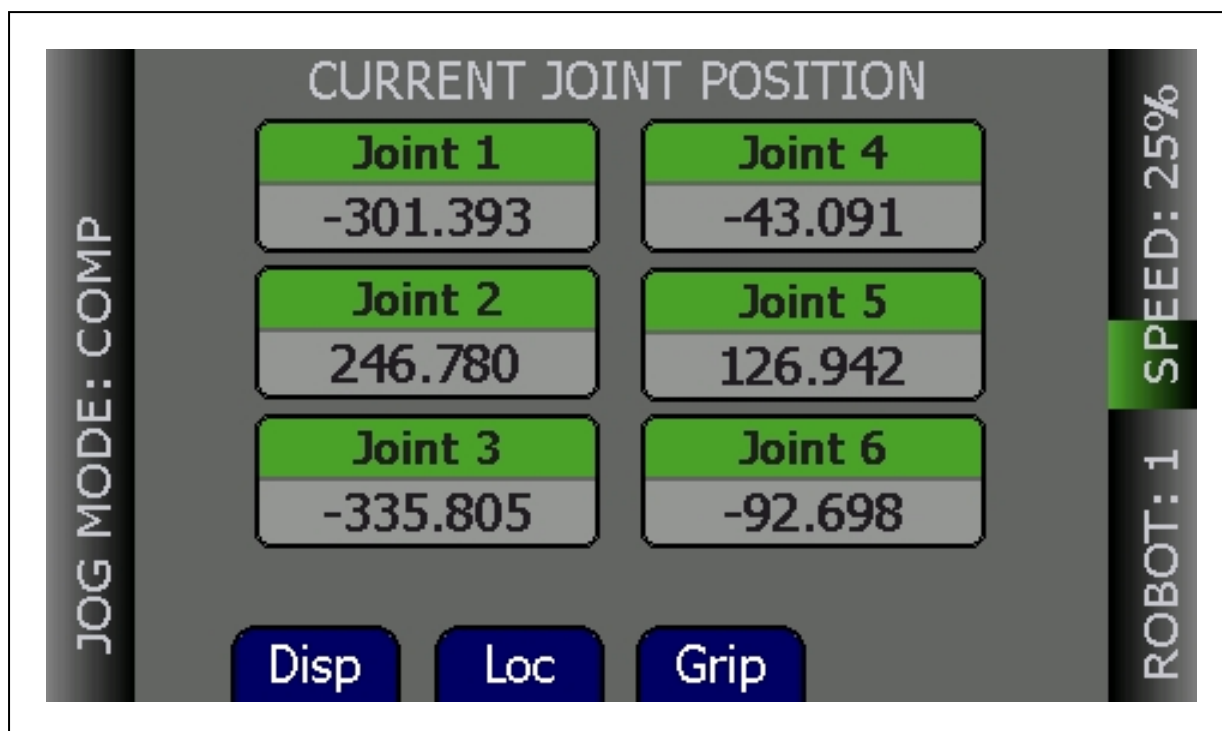


Figure 4-13. Position Display, Joint Coordinates

- Press Disp to toggle the display between the World and Joint coordinate systems.
- Press Grip to open and close a gripper installed on the tool flange.
- Press Loc to display the Available Locations screen.

4.8 Smart Locations

A pendant option, called Smart Locations (available on the System Maintenance screen), shows all locations that have the string “tool” in them on the Available Tools screen, all locations that have the string “frame” in them in the Available Frames screen, and all locations that don’t match “tool” or “frame” in the Available Locations screen. If the option is disabled, all locations are shown on all three screens. See the examples in the following table.

Table 4-11. Smart Locations Enabled versus Disabled

Smart Locations Enabled		Smart Locations Disabled	
<p>AVAILABLE FRAMES</p> <p>palletframe beltframe</p> <p>belt2frame</p> <p>JOG MODE: COMP</p> <p>Press OK to select the jogging frame</p> <p>Disp Jog</p> <p>ROBOT: 1 SPEED: 25%</p>	<p>AVAILABLE FRAMES</p> <p>pick locarray</p> <p>final palletframe</p> <p>beltframe belt2frame</p> <p>needletool suctiontool</p> <p>JOG MODE: COMP</p> <p>Press OK to select the jogging frame</p> <p>Disp Jog</p> <p>ROBOT: 1 SPEED: 15%</p>		
<p>AVAILABLE LOCATIONS</p> <p>JOINT ZERO pick</p> <p>locarray final</p> <p>JOG MODE: COMP</p> <p>Disp Teach New Next ></p> <p>ROBOT: 1 SPEED: 25%</p>	<p>AVAILABLE LOCATIONS</p> <p>JOINT ZERO pick</p> <p>locarray final</p> <p>palletframe beltframe</p> <p>belt2frame needletool</p> <p>Set All Joints to 0 position</p> <p>JOG MODE: COMP</p> <p>Disp Teach New Next ></p> <p>ROBOT: 1 SPEED: 15%</p>		
<p>AVAILABLE TOOLS</p> <p>CURRENT TOOL needletool</p> <p>suctiontool grippertool</p> <p>JOG MODE: COMP</p> <p>Press OK to set the current tool</p> <p>Disp NULL</p> <p>ROBOT: 1 SPEED: 25%</p>	<p>AVAILABLE TOOLS</p> <p>CURRENT TOOL pick</p> <p>locarray final</p> <p>palletframe beltframe</p> <p>belt2frame needletool</p> <p>Select to Display Current Tool</p> <p>JOG MODE: COMP</p> <p>Disp NULL</p> <p>ROBOT: 1 SPEED: 15%</p>		

4.9 Available Frames

The Available Frames screen is used to set the jog mode relative to the selected frame. This is the only way to enter the Frame jog mode. When this is done, the jog controls will move the robot in relation to the selected frame, rather than the World coordinates (robot base).

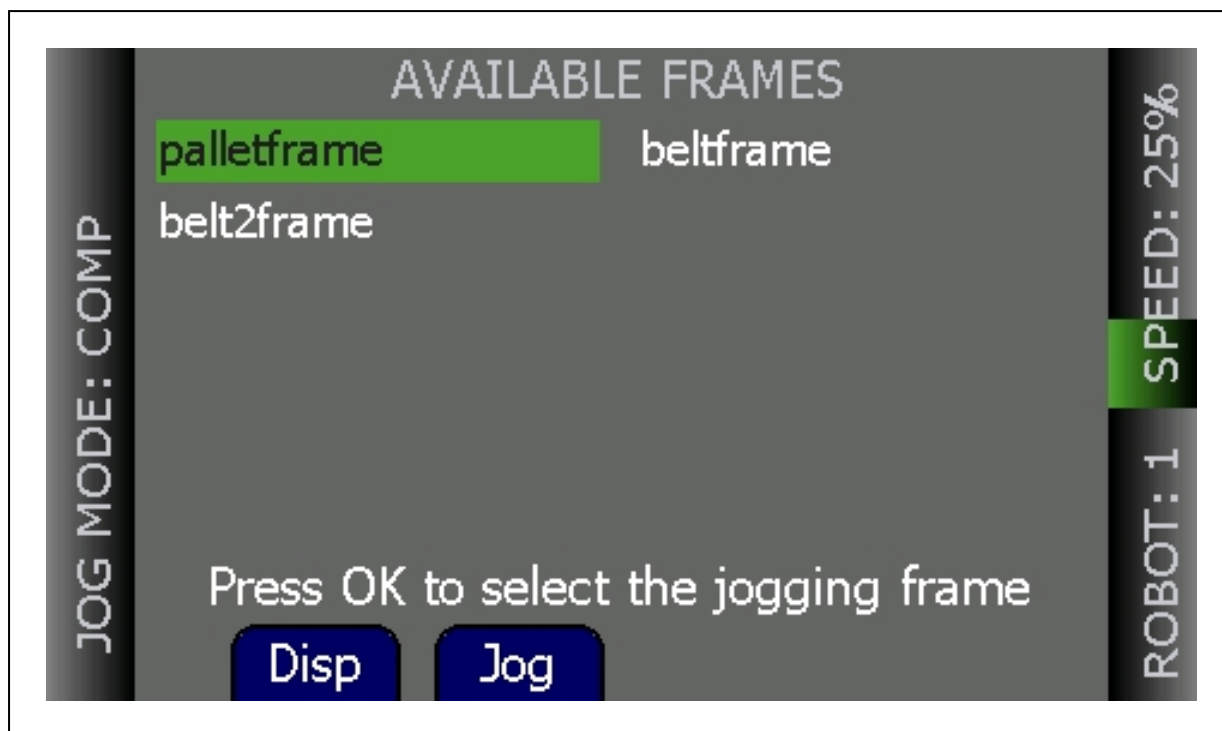


Figure 4-14. Available Frames Screen

NOTE: Once you use Jog Mode to cycle to another jog mode, you cannot return to Frame mode without going back to this screen.

Enable Frame-Based Jogging

1. From the Home 2 screen, press the Frame soft key. The Available Frames screen opens.
2. Use the arrow buttons to select the desired frame.
3. Press the Jog soft key to enable jogging based on the selected frame.

The system will now jog in Frame mode (this is displayed as JOG REL: <FrameName>).

A Note about Frame-mode Jogging

When locations are taught while in frame-jogging mode (see the previous section), they are taught relative to the selected frame. When locations are jogged to while in frame-jogging mode, they are jogged relative to the currently-selected frame.

This feature was designed to allow you to teach, and then jog to locations relative to another frame, such as a palette, all from the pendant. However, it does provide the opportunity for confusion: The most likely user error here would be to teach a position in "JOG REL: XXX", then change jog modes, and later try to jog to the new position while in world mode – this would produce either no movement (if the position is unreachable) or, possibly, movement to an arbitrary location, because the relative frame is no longer involved.

4.10 Available Tools

The Available Tools screen provides the ability to view and set a tool transformation (or offset).



Figure 4-15. Available Tools Screen

While on this screen, you can:

- Press the Disp soft key to display the value of the selected tool transformation (you can select CURRENT TOOL to display the current tool transformation). After you display a tool (other than current tool), pressing the Disp soft key will then toggle between that tool and the current tool, which allows you to see if it is the selected tool.
- Set a tool—select the desired tool from the list and press OK to set it.
- Press the Null soft key to set the current tool transformation (or offset) to null tool (no tool offset frame in use).

4.11 Location Teaching

Press the Loc soft key from the pendant Home 1 screen to display the Available Locations screen shown in the following figure.

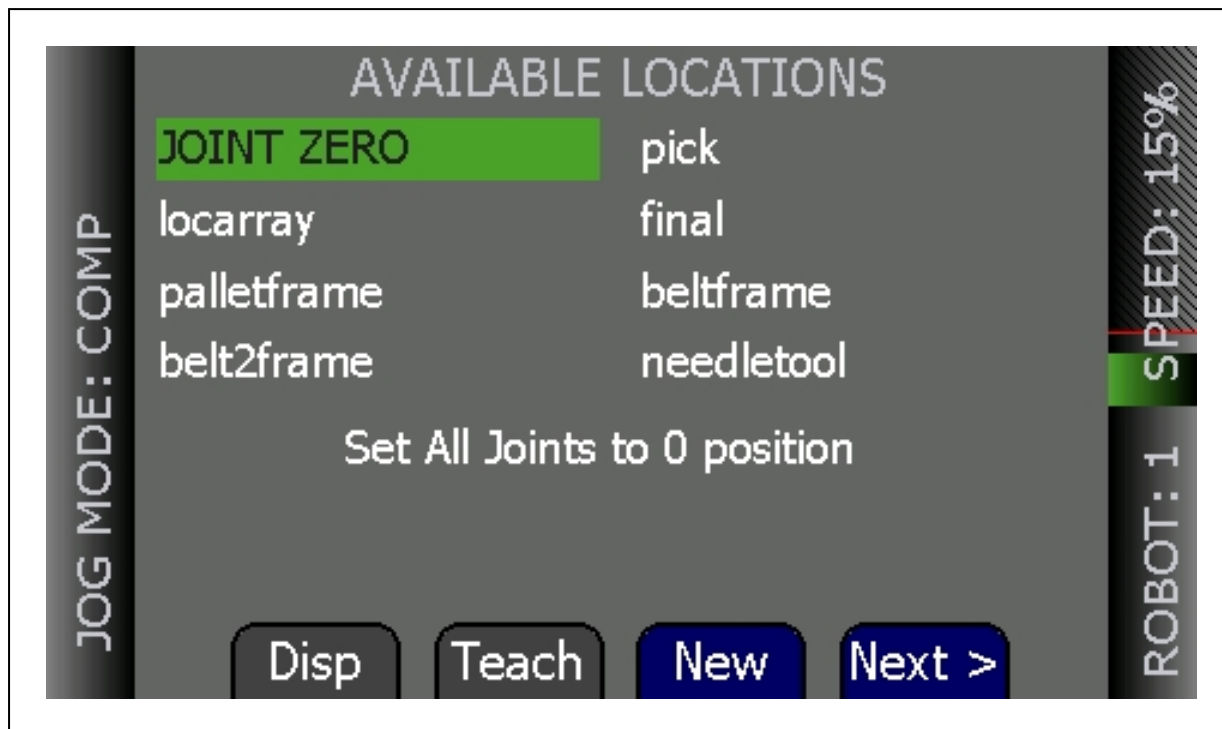


Figure 4-16. Available Locations Screen 1



Figure 4-17. Available Locations Screen 2

The following table describes the soft keys shown on the Available Locations screens.

Table 4-12. Available Locations Soft Key Descriptions

Soft Key	Description
Disp	Shows the current position of the robot.
Teach	Teaches the current position to the selected location.
New	Creates a new location named pendant.loc[X] where X is the first available value (1,2,3...).
JogTo	Press and hold to move (jog) the robot to the selected position.
Appro	Press to bring the robot to the approach position for the selected location. The approach position is the location less 'A' mm along the Z-axis of the tool transformation (or offset), where 'A' is the approach distance set on the System Maintenance screen.
Align	Aligns the robot tool Z-axis with the nearest world axis.
Next >	Goes to the next Available Locations screen.

To teach a location:

1. From the Available Locations screen, press the arrow buttons to select the desired location from the list of locations.
2. Press Teach. The Teach screen opens for the selected location.
3. Use the jog controls to position the robot at the desired location.
4. When the robot is at the desired location, press OK to teach the position.

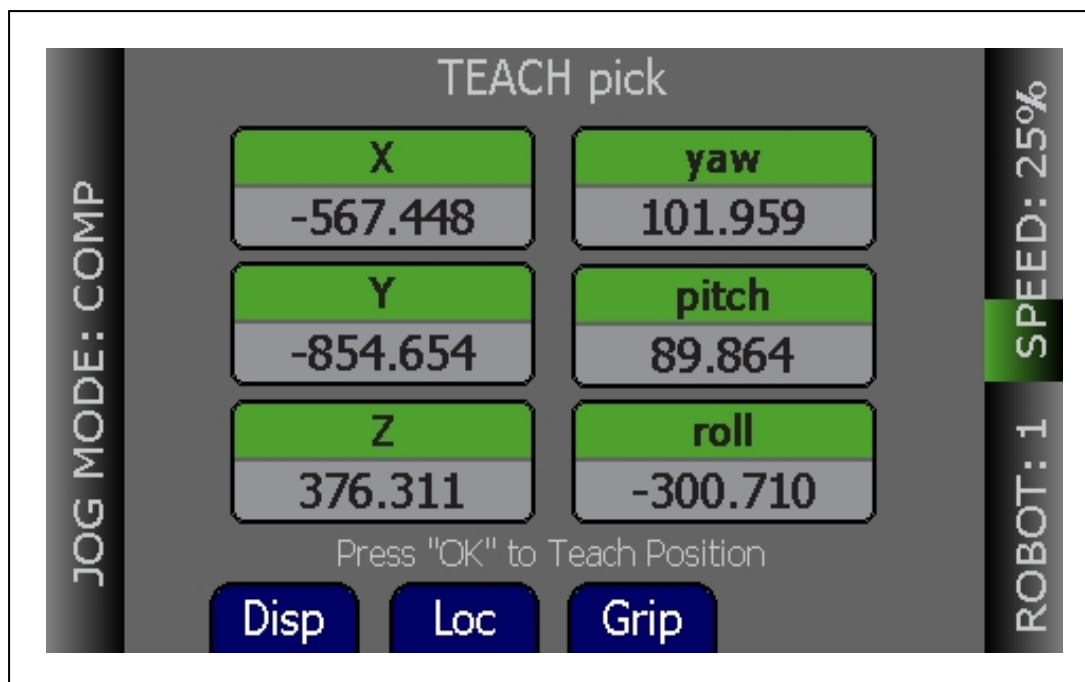


Figure 4-18. Teach Screen

To select an array:

1. From the Available Locations screen, press the up/down arrow buttons to select the desired array, and then press Expand. The valid members of the selected array are displayed.
2. Press the up/down arrow buttons to select the desired location.
Press Cancel to return to the previous screen.

Adding Approach Distance

You can specify an approach distance through the System Maintenance screen. For details, see Setting the Approach Distance on page 53.

After the approach distance is set, you can use the Appro soft key to bring the robot to the approach position for the selected location. The approach position is the location less 'A' mm along the Z-axis of the tool transformation (or offset), where 'A' is the approach distance set on the System Maintenance screen.

Using Jog To

Use Jog To to move the robot to a selected location (stored in memory).

To jog the robot to a location:

1. Press Loc from the Home 1 screen to display the Available Locations screen.
2. Press the arrow buttons to select the desired location.
3. Press and hold Jog To until the robot is at the desired location. Release the button.

NOTE: The predefined JOINT ZERO location, sets the robot to #PPOINT (0,0,0,0,0,0).

Align

Align works with Viper robots. While the Available Locations screen is displayed, you can select a location and then press the Align soft key to align the nearest axis of the tool transformation (or offset) to the Z axis.

NOTE: Align is only available for six-axis robots, like the Viper robots.

NOTE: Other than the green Joint/Axis control buttons, the Jog To and Align functions are the only functions available for moving the robot.

4.12 I/O Signals

NOTE: The T20 pendant does not support network I/O over EtherCAT. These I/O signals are exchanged between the T20 and the robot that it is attached to.

Press the I/O soft key on Home 1 screen to display the screens used to control I/O signals. The I/O Signals feature allows users to toggle outputs ON (active, high) and OFF (inactive, low). Round icons represent input signals; square icons represent output signals. The available signal types are: digital output, digital input, soft, and robot.

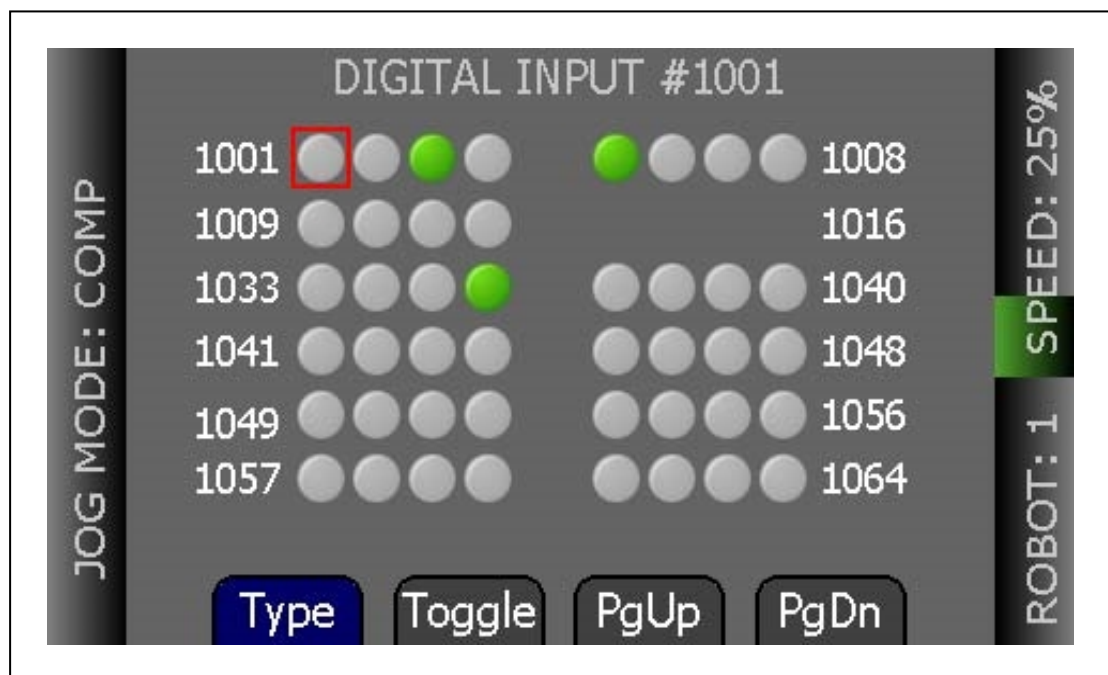


Figure 4-19. Digital Input Screen

After pressing the I/O soft key, perform the following steps to control I/O signals.

1. Press the Type soft key to cycle through the available signal types until the desired signal type is displayed. The current signal type and the selected signal number are displayed at the top of the screen.
2. Press the arrow buttons to select the desired signal. The selected signal is identified by a red outline.

If more than one row of signals is available, press the up/down arrow buttons to scroll through the rows of signals. If more than one screen full of signals is displayed, press PgUp/PgDn soft keys to scroll through the screens.

3. For output signals, press the Toggle soft key to turn the selected signal ON or OFF.

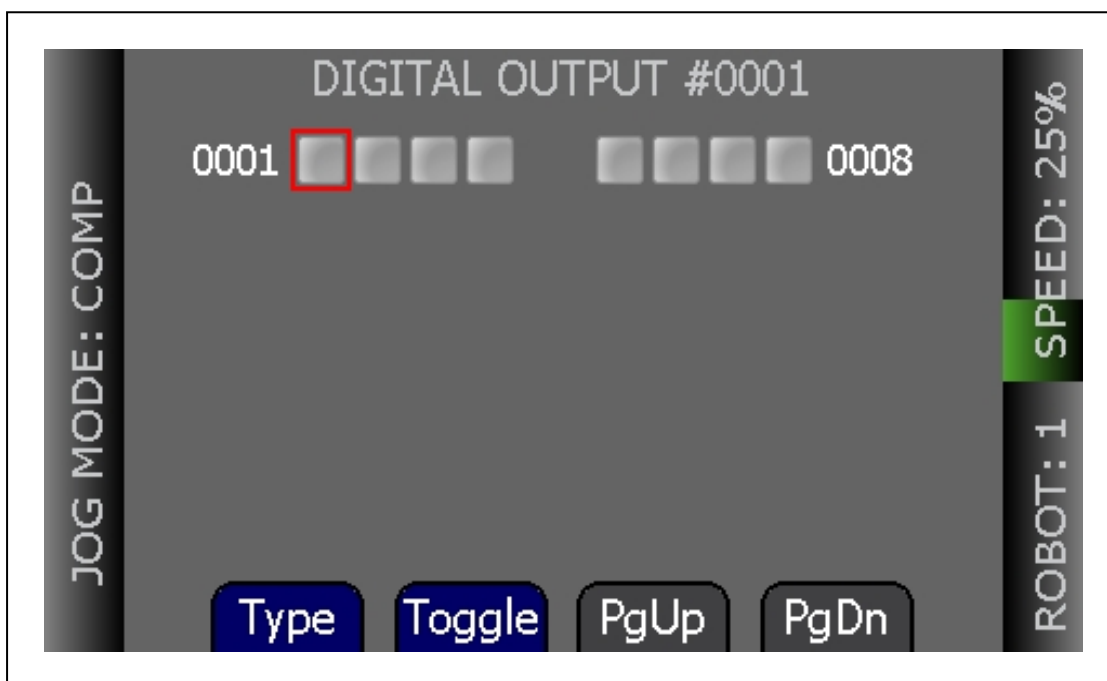


Figure 4-20. Digital Output Screen

NOTE: In the preceding screen, the PgUp and PgDn soft keys are grey, rather than blue, because there is only one screen available for digital outputs, so page up and page down are not available.

4.13 Displaying and Clearing Errors

When errors occur, the ERR LED lights and a screen describing the error is displayed. Press OK or Cancel to clear the error information.

While the error screen is displayed, the Menu button, arrow buttons, and soft keys are disabled. Even though the soft keys remain blue, they are not active in this state.



Figure 4-21. Error Screen

In order for these errors to be displayed, the Pendant Msgs must be Enabled, from the System Maintenance screen.

NOTE: If the pendant ever loses contact with the controller, the pendant will display the Connection Lost screen. From this screen, you will be prompted to reconnect with the controller. This message is not affected by the Pendant Msgs setting.

You can display a list of errors that have occurred since the pendant was last powered up. For details, see Displaying Recent Errors on page 55.

Chapter 5: Maintenance

This chapter describes how to set the screen saver, set default values for initial speed and approach distance, enable smart locations and pendant messages, update the pendant's firmware, troubleshoot problems, and maintain the pendant.

5.1 The System Maintenance Screen

The System Maintenance screen is used to set various pendant options, obtain information on the system, and view the error log.

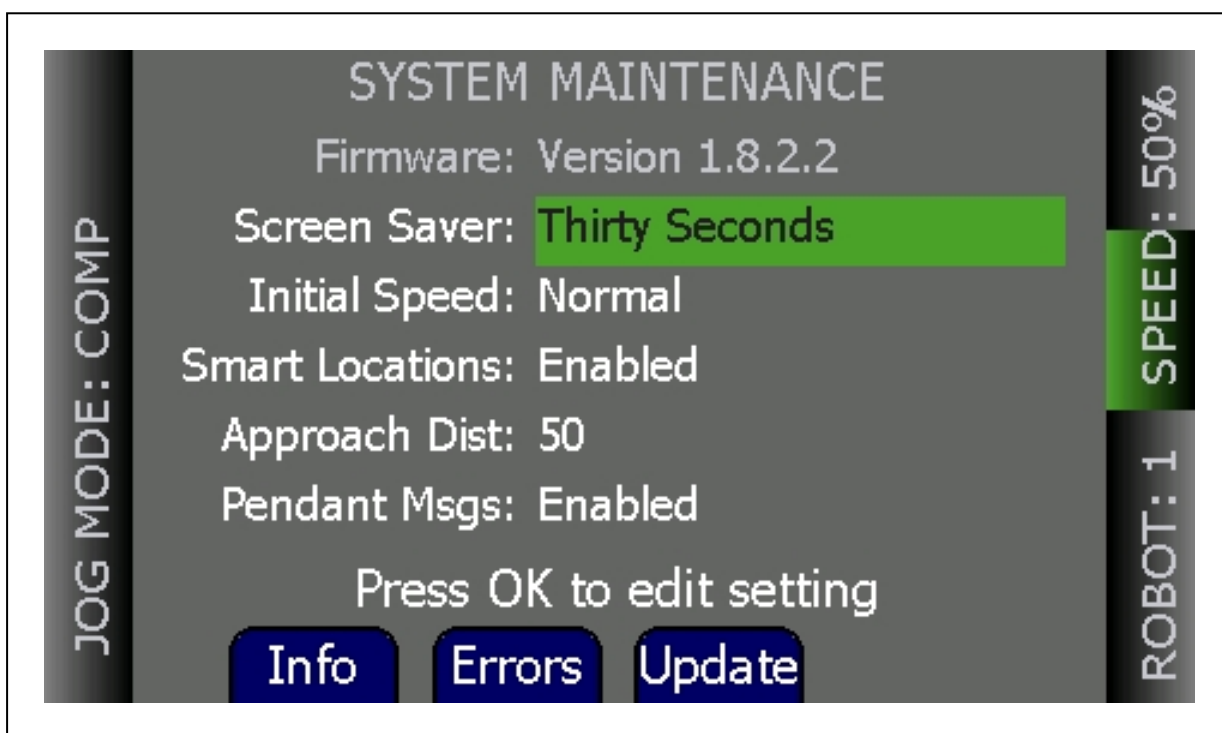


Figure 5-1. System Maintenance Screen

The following table describes the options shown on the System Maintenance screen.

Table 5-1. System Maintenance Option Descriptions

Option	Description
Screen Saver	Sets the screen-idle time (Thirty Seconds, One Minute, Two Minutes, Five Minutes, Ten Minutes, Twenty Minutes, One Hour) before the screen saver is activated. For details, see Setting the Screen Saver on page 52.
Initial Speed	Sets the default speed used when the system starts up (Slow, Normal). For details, see Setting the Initial Speed on page 53.

Option	Description
Smart Locations	Enables/disables the Smart Locations feature, which organizes the locations by type. For details, see Enabling Smart Locations on page 53.
Approach Dist	Sets the approach distance (1 mm to 200 mm). For details, see Setting the Approach Distance on page 53.
Pendant Msgs	Enables/disables whether errors are displayed. If disabled, errors are not reported to the pendant.

The following table describes the soft keys shown on the System Maintenance screen.

Table 5-2. System Maintenance Soft Key Descriptions

Soft Key	Description
Info	Accesses a screen that displays the system information from the controller. For details, see Displaying System Information on page 54.
Errors	Accesses the error log. For details, see Displaying Recent Errors on page 55.
Update	Updates the pendant firmware. For details, see Displaying System Information on page 54.

5.2 Setting the Screen Saver

You can specify the length of time without activity before the screen saver is activated.

To set the screen saver idle time:

1. From the Home 1 screen, press Next > to display the Home 2 screen.
2. Press Maint. The System Maintenance screen opens.
3. If necessary, press the up/down arrow buttons to select the Screen Saver field. Press OK.
4. Press the up/down arrow buttons to select the length of time before the screen saver is activated.

The options available are:

- Thirty Seconds
 - One Minutes
 - Two Minutes
 - Five Minutes
 - Ten Minutes
 - Twenty Minutes
 - One Hour
5. Press OK to accept the change. Press Cancel to revert to the previous setting.

5.3 Setting the Initial Speed

You can specify Normal or Slow as the default speed setting when the system starts up. The pendant comes with Normal as the default setting.

To select the initial speed:

1. From the Home 1 screen, press Next > to display the Home 2 screen.
2. Press Maint. The System Maintenance screen opens.
3. Press the up/down arrow buttons to select the Initial Speed field. Press OK.
4. Press the up/down arrow buttons to select either Normal or Slow for the initial speed.
5. Press OK to accept the change. Press Cancel to revert to the previous setting.

5.4 Enabling Smart Locations

The Smart Locations option allows you to view tool, frame, and general locations on separate pages. For more details on this option, see Smart Locations on page 40.

To enable the Smart Locations option:

1. From the Home 1 screen, press Next > to display the Home 2 screen.
2. Press Maint. The System Maintenance screen opens.
3. Press the up/down arrow buttons to select the Smart Locations option. Press OK.
4. Press the up/down arrow buttons to select Enabled or Disabled.
5. Press OK to accept the change. Press Cancel to revert to the previous setting.

5.5 Setting the Approach Distance

You can specify the approach distance, which is used by the robot when moving to a location. For details on teaching locations, see Location Teaching on page 43.

To select the approach distance:

1. From the Home 1 screen, press Next > to display the Home 2 screen.
2. Press Maint. The System Maintenance screen opens.
3. Press the up/down arrow buttons to select the Approach field. Press OK.
4. Press the up/down arrow buttons to select a value from 1 mm to 200 mm.
5. Press OK to accept the change. Press Cancel to revert to the previous setting.

5.6 Enabling Pendant Messages

You can disable all error messages except the Connection Lost screen, which is displayed if the T20 pendant ever loses connection to the SmartController EX motion controller.

To enable the display of error messages on the pendant:

1. From the Home 1 screen, press Next > to display the Home 2 screen.
2. Press Maint. The System Maintenance screen opens.
3. Press the up/down arrow buttons to select the Pendant Msgs option. Press OK.
4. Press the up/down arrow buttons to select Enabled or Disabled.
5. Press OK to accept the change. Press Cancel to revert to the previous setting.

5.7 Displaying System Information

The System Information screen displays identity information about components of the system, as returned by the ID and NET monitor commands.

The screen displays the IP address of the connected controller. The controller type and OP / SV switch position have the following affect on the IP address displayed.

Controller Type	OP/SV Switch Position	IP Address Displayed
SmartController EX	N/A	SmartController EX
eAIB or eMB		eAIB or eMB
iCS-ECAT or eCS-ECAT	OP	NJ-series Robot Integrated CPU unit
	SV	iCS-ECAT or eCS-ECAT

To access the System Information screen:

1. From the Home 1 screen, press Next > to display the Home 2 screen.
2. Press Maint. The System Maintenance screen opens.
3. From the System Maintenance screen, press the Info soft key. The following screen opens.

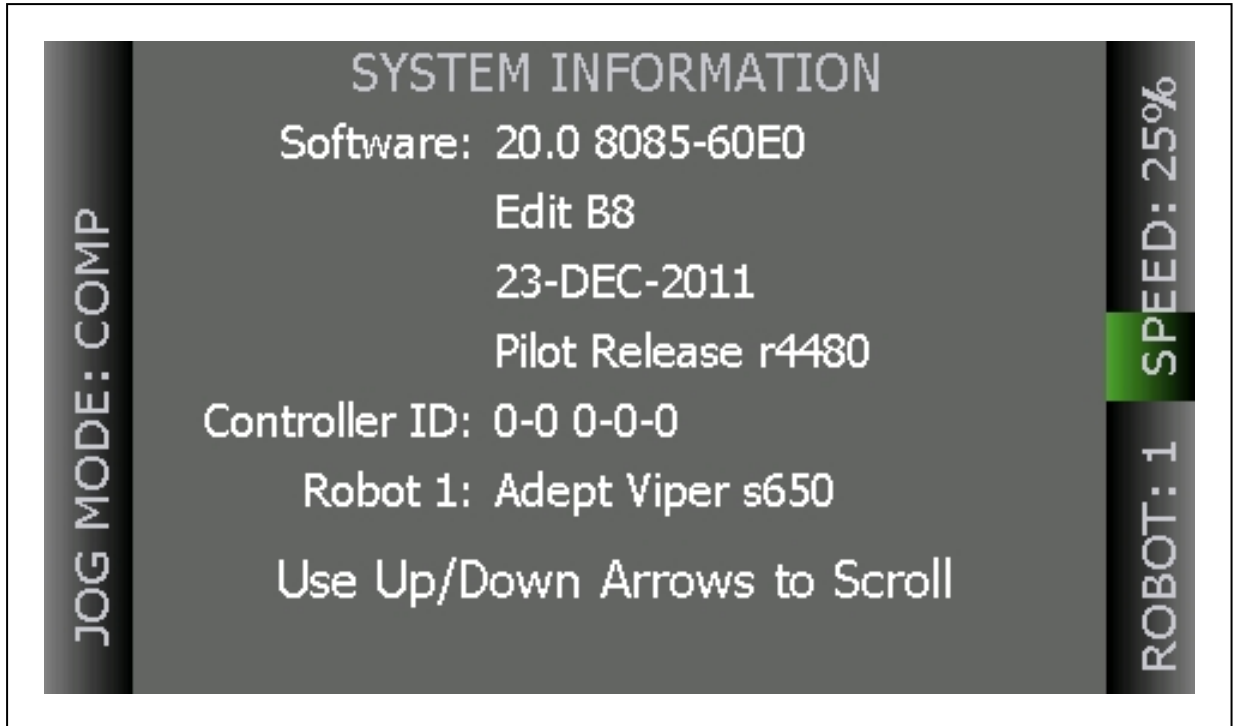


Figure 5-2. Sample System Information Screen

5.8 Displaying Recent Errors

You can display a list of errors that have occurred since the pendant was last powered up.

To display recent errors:

1. From the Home 1 screen, press Next > to display the Home 2 screen.
2. Press Maint. The System Maintenance screen opens.
3. Press the Errors soft key. The Recent Errors screen opens.
4. If necessary, press the up/down arrow buttons to select the error of interest.
5. Press the Detail soft key to display details about the selected error.

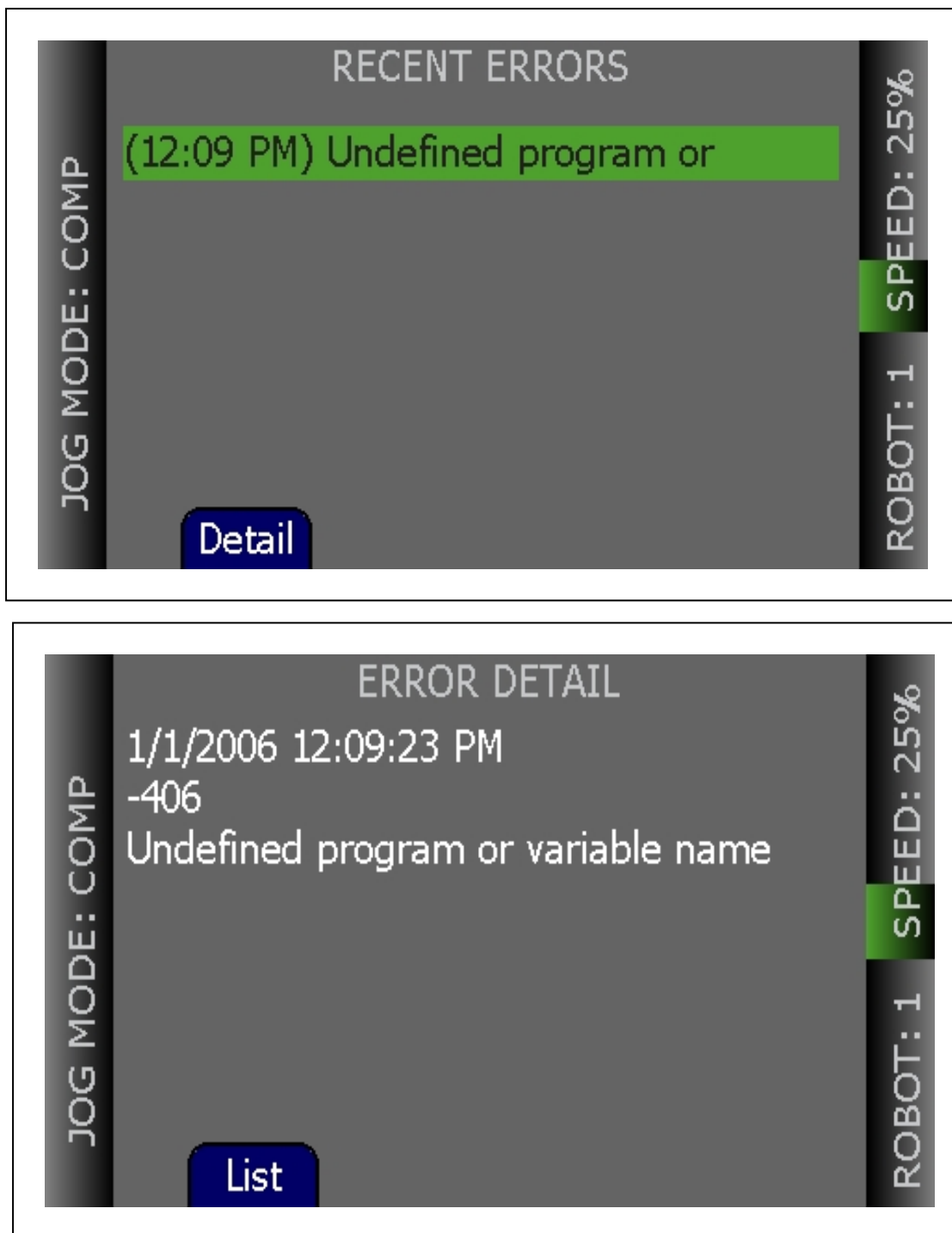


Figure 5-3. Recent Errors and Detail Screens

6. Press List to return to the Recent Errors screen.

5.9 Updating the Pendant Firmware

To update the pendant firmware:

1. Turn OFF power to the SmartController EX motion controller or disconnect the T20 pendant from the controller (see Installation on page 18).
2. Insert a Micro SD card containing the firmware update files and "T20UpdatePackage.dat" into the pendant. Make sure the files are located under the following path and folder name: "\T20Update".

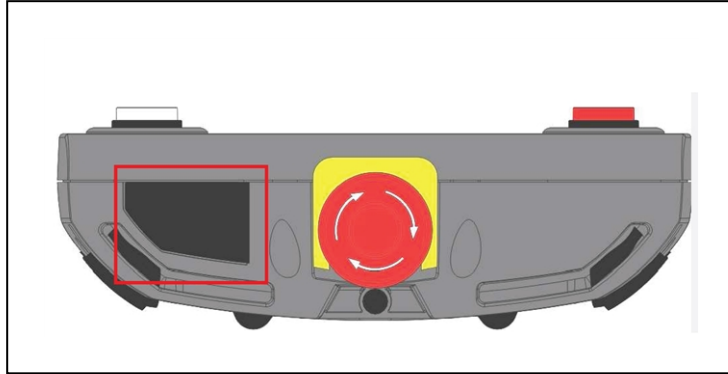


Figure 5-4. Location for Inserting Micro SD Card in Pendant

3. Reapply power to the controller, or reconnect the T20 pendant to the controller, depending on how you removed power.
4. After a reboot, on the Home 1 screen, press Next > to display the Home 2 screen.
5. Press Maint. The System Maintenance screen opens.
6. Press the Update soft key.
7. Press OK. A screen displaying status messages about the update will be displayed. The messages should indicate that the system was able to detect the firmware update and that the firmware update was successfully verified.
8. Press OK. The firmware will be copied to the pendant.
9. After the update has completed, the pendant reboots automatically.

If you encounter any problems while updating the firmware, check the following:

- Make sure the Micro SD card is fully inserted in the pendant and that you reboot the pendant after inserting the Micro SD card.
- Make sure the firmware update files are stored in a folder named "T20Update" on the Micro SD card.
- The update package performs a checksum test to verify the integrity of the contents of the update files. If any of the files are corrupted, the update package will fail to verify the contents. If this error occurs, obtain new update files from your local OMRON representative.

NOTE: In the event a firmware update fails, you can operate the pendant using the factory-installed firmware, which is always present on the pendant.

5.10 Loss of Communication

If the T20 pendant ever loses communication with the connected controller for any reason (e.g. controller reboot), a Communication Lost screen will be displayed. From this screen, pressing OK will tell the pendant to try to reestablish communication with the controller.

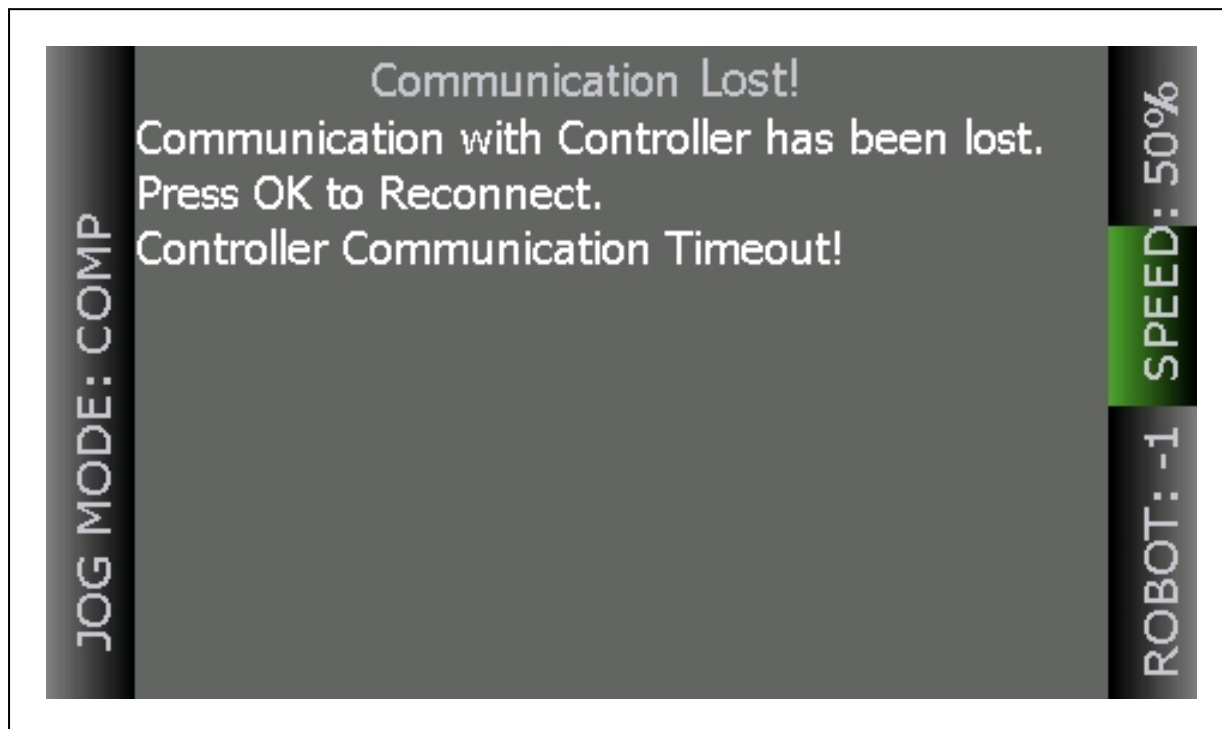


Figure 5-5. Connection Lost Screen

If the reconnection fails, use the ACE or Sysmac Studio software to verify that the controller's monitor window is responsive. If this state persists, contact your local OMRON representative for assistance.

5.11 Cleaning

To clean the T20 pendant, use a soft cloth dampened with a small amount of water or a mild cleaning agent.



CAUTION: Never clean the T20 pendant display screen or other surfaces with solvents, abrasive cleaners, or scrubbing sponges.

5.12 Periodic Maintenance

Periodically check the protective covers of the T20 pendant to ensure that all housing screws are firmly tightened, and that there is no damage to the cable entry area, sealing plug, or cable strain-relief.

Chapter 6: Technical Specifications

6.1 Dimension Drawings



Figure 6-1. T20 Pendant Dimensions (Units in mm)

6.2 Pendant Specifications

Table 6-1. T20 Pendant Specifications

Description	Specification
Physical	
Length	224 mm
Width	162 mm
Depth	45 mm
Weight (w/o connector)	480 g
Pendant Cable Length	10 m

Description	Specification
Adapter Cable Length	3 m
Safety Controls	1 Emergency Stop (E-Stop) switch 1 3-position Enable switch 1 Auto/Manual key switch
Construction/Rating	
Ingress Protection	IP65
Shock Resistance (operating)	25 g / 11 ms (IEC 60068-2-27)
Display Type	High-resolution color OLED display
Construction	Steel panel housing, blue zinc-coated surface. Withstands grease, oil, alcohol, and lubricants.
Flammability Class	UL 94-V0
Environmental	
Operating Temperature	0 to 45°C
Storage Temperature	-25 to 60°C
Relative Humidity (non-condensing)	5% to 95%

OMRON Corporation Industrial Automation Company
Kyoto, JAPAN

Contact: www.ia.omron.com

Regional Headquarters

OMRON EUROPE B.V.

Wegalaan 67-69, 2132 JD Hoofddorp
The Netherlands
Tel: (31)2356-81-300/Fax: (31)2356-81-388

OMRON ASIA PACIFIC PTE. LTD.

No. 438A Alexandra Road # 05-05/08 (Lobby 2),
Alexandra Technopark,
Singapore 119967
Tel: (65) 6835-3011/Fax: (65) 6835-2711

OMRON ELECTRONICS LLC

2895 Greenspoint Parkway, Suite 200 Hoffman Estates,
IL 60169 U.S.A.
Tel: (1) 847-843-7900/Fax: (1) 847-843-7787

OMRON ROBOTICS AND SAFETY TECHNOLOGIES, INC.

4225 Hacienda Drive, Pleasanton, CA 94588 U.S.A.
Tel: (1) 925-245-3400/Fax: (1) 925-960-0590

OMRON (CHINA) CO., LTD.

Room 2211, Bank of China Tower, 200 Yin Cheng Zhong Road,
PuDong New Area, Shanghai, 200120, China
Tel: (86) 21-5037-2222/Fax: (86) 21-5037-2200

Authorized Distributor:

© OMRON Corporation 2016-2020
All Rights Reserved. In the interest of product
improvement, specifications are subject to change
without notice.

Cat. No. 1601-E-04

0820

10433-000 H