

USB-Serial Conversion Cable

User's Manual

OMRON

NOTE

All rights reserved. No part of this publication may be reproduced, stored in a retrieval system, or transmitted, in any form, or by any means, mechanical, electronic, photocopying, recording, or otherwise, without the prior written permission of OMRON.

No patent liability is assumed with respect to the use of the information contained herein. Moreover, because OMRON is constantly striving to improve its high-quality products, the information contained in this manual is subject to change without notice. Every precaution has been taken in the preparation of this manual. Nevertheless, OMRON assumes no responsibility for errors or omissions. Neither is any liability assumed for damages resulting from the use of the information contained in this publication.

Trademarks

- Microsoft, Windows, Windows Vista, and Microsoft Edge are either registered trademarks or trademarks of Microsoft Corporation in the United States and other countries.
- ODVA, CIP, CompoNet, DeviceNet, and EtherNet/IP are trademarks of ODVA.

Other company names and product names in this document are the trademarks or registered trademarks of their respective companies.

Copyrights

Microsoft product screen shots used with permission from Microsoft.

USB-Serial Conversion Cable
CS1W-CIF31

User's Manual

Terms and Conditions Agreement

Warranty, Limitations of Liability

Warranties

Exclusive Warranty

Omron's exclusive warranty is that the Products will be free from defects in materials and workmanship for a period of twelve months from the date of sale by Omron (or such other period expressed in writing by Omron). Omron disclaims all other warranties, express or implied.

Limitations

OMRON MAKES NO WARRANTY OR REPRESENTATION, EXPRESS OR IMPLIED, ABOUT NON-INFRINGEMENT, MERCHANTABILITY OR FITNESS FOR A PARTICULAR PURPOSE OF THE PRODUCTS. BUYER ACKNOWLEDGES THAT IT ALONE HAS DETERMINED THAT THE PRODUCTS WILL SUITABLY MEET THE REQUIREMENTS OF THEIR INTENDED USE.

Omron further disclaims all warranties and responsibility of any type for claims or expenses based on infringement by the Products or otherwise of any intellectual property right.

Buyer Remedy

Omron's sole obligation hereunder shall be, at Omron's election, to (i) replace (in the form originally shipped with Buyer responsible for labor charges for removal or replacement thereof) the non-complying Product, (ii) repair the non-complying Product, or (iii) repay or credit Buyer an amount equal to the purchase price of the non-complying Product; provided that in no event shall Omron be responsible for warranty, repair, indemnity or any other claims or expenses regarding the Products unless Omron's analysis confirms that the Products were properly handled, stored, installed and maintained and not subject to contamination, abuse, misuse or inappropriate modification. Return of any Products by Buyer must be approved in writing by Omron before shipment. Omron Companies shall not be liable for the suitability or unsuitability or the results from the use of Products in combination with any electrical or electronic components, circuits, system assemblies or any other materials or substances or environments. Any advice, recommendations or information given orally or in writing, are not to be construed as an amendment or addition to the above warranty.

See <http://www.omron.com/global/> or contact your Omron representative for published information.

Limitation on Liability; Etc

OMRON COMPANIES SHALL NOT BE LIABLE FOR SPECIAL, INDIRECT, INCIDENTAL, OR CONSEQUENTIAL DAMAGES, LOSS OF PROFITS OR PRODUCTION OR COMMERCIAL LOSS IN ANY WAY CONNECTED WITH THE PRODUCTS, WHETHER SUCH CLAIM IS BASED IN CONTRACT, WARRANTY, NEGLIGENCE OR STRICT LIABILITY.

Further, in no event shall liability of Omron Companies exceed the individual price of the Product on which liability is asserted.

Application Considerations

Suitability of Use

Omron Companies shall not be responsible for conformity with any standards, codes or regulations which apply to the combination of the Product in the Buyer's application or use of the Product. At Buyer's request, Omron will provide applicable third party certification documents identifying ratings and limitations of use which apply to the Product. This information by itself is not sufficient for a complete determination of the suitability of the Product in combination with the end product, machine, system, or other application or use. Buyer shall be solely responsible for determining appropriateness of the particular Product with respect to Buyer's application, product or system. Buyer shall take application responsibility in all cases.

NEVER USE THE PRODUCT FOR AN APPLICATION INVOLVING SERIOUS RISK TO LIFE OR PROPERTY OR IN LARGE QUANTITIES WITHOUT ENSURING THAT THE SYSTEM AS A WHOLE HAS BEEN DESIGNED TO ADDRESS THE RISKS, AND THAT THE OMRON PRODUCT(S) IS PROPERLY RATED AND INSTALLED FOR THE INTENDED USE WITHIN THE OVERALL EQUIPMENT OR SYSTEM.

Programmable Products

Omron Companies shall not be responsible for the user's programming of a programmable Product, or any consequence thereof.

Disclaimers

Performance Data

Data presented in Omron Company websites, catalogs and other materials is provided as a guide for the user in determining suitability and does not constitute a warranty. It may represent the result of Omron's test conditions, and the user must correlate it to actual application requirements. Actual performance is subject to the Omron's Warranty and Limitations of Liability.

Change in Specifications

Product specifications and accessories may be changed at any time based on improvements and other reasons. It is our practice to change part numbers when published ratings or features are changed, or when significant construction changes are made. However, some specifications of the Product may be changed without any notice. When in doubt, special part numbers may be assigned to fix or establish key specifications for your application. Please consult with your Omron's representative at any time to confirm actual specifications of purchased Product.

Errors and Omissions

Information presented by Omron Companies has been checked and is believed to be accurate; however, no responsibility is assumed for clerical, typographical or proofreading errors or omissions.

Notice:

OMRON products are manufactured for use according to proper procedures by a qualified operator and only for the purposes described in this manual. The following conventions are used to indicate and classify precautions in this manual. Always heed the information provided with them. Failure to heed precautions can result in injury to people or damage to property.

- ⚠ DANGER** Indicates an imminently hazardous situation which, if not avoided, will result in death or serious injury.
- ⚠ WARNING** Indicates a potentially hazardous situation which, if not avoided, could result in death or serious injury.
- ⚠ Caution** Indicates a potentially hazardous situation which, if not avoided, may result in minor or moderate injury, or property damage.

OMRON Product References

All OMRON products are capitalized in this manual. The word "Unit" is also capitalized when it refers to an OMRON product, regardless of whether or not it appears in the proper name of the product.

The abbreviation "Ch," which appears in some displays and on some OMRON products, often means "word" and is abbreviated "Wd" in documentation in this sense.

The abbreviation "PLC" means Programmable Controller. "PC" is used, however, in some Programming Device displays to mean Programmable Controller.

Visual Aids

The following headings appear in the left column of the manual to help you locate different types of information.

Note Indicates information of particular interest for efficient and convenient operation of the product.

1,2,3... 1. Indicates lists of one sort or another, such as procedures, checklists, etc.

TABLE OF CONTENTS

Notice:	4
OMRON Product References	4
Visual Aids	4
TABLE OF CONTENTS	5
About this Manual	6
PRECAUTIONS	7
Overview and Components	10
Overview	10
Appearance and Component Names	10
Packing Lists	11
D-sub Connector Cable (CS1W-CIF31)	11
Specifications	12
Compatible Operating Systems	12
Compatible Software Applications	12
Compatible PLCs, PTs and Programmable Relay	13
Connection Configurations	14
General Specifications	15
Dimensions	16
D-sub Connector Cable	16
System Configuration	17
CS/CJ-series PLCs	17
C-series PLCs	19
CVM1 and CV-series PLCs	22
PTs (NS and NT Series)	23
Programmable Relay (ZEN)	23
USB to PLC/PT Connection Tables	24
Connecting with the CS1W-CIF31 (D-sub Connector Cable)	24
Application Procedure	29
Cable Connections	30
Connecting the Cable	30
Installing the Drivers	31
Uninstalling the Drivers	35
Connecting Online from the CX-Programmer	38
Using the several CS1W-CIF31	42
Revision History	43
Index	44

About this Manual

Thank you for purchasing the CS1W-CIF31 USB-Serial Conversion Cable. The CS1W-CIF31 USB-Serial Conversion Cable connects an OMRON PLC (or PT) to a personal computer's USB port.

Please read this manual carefully and be sure you understand the information provided before attempting to install or operate the USB-Serial Conversion Cables. Be sure to read the precautions provided in the following section.

Precautions provides general precautions for using the USB-Serial Conversion Cables and related devices.

Overview and Components describes the parts of the USB-Serial Conversion Cables and gives an overview of their application.

Packing Lists shows the various items that come with the USB-Serial Conversion Cables.

Specifications provides the hardware and software specifications.

Dimensions shows external cable dimensions.

System Configuration shows the application of the USB-Serial Conversion Cables with various models of PLC.

USB to PLC/PT Connection Tables lists the possible combinations of Cables, Units, and ports that can be used.

Application Procedure gives an overview of the steps required to use USB-Serial Conversion Cables.

DIP Switch Settings and Cable Connections describes switch settings and cable connections.

Installing the Drivers tells how to install the software drivers.

Uninstalling the Drivers tells how to uninstall the software drivers.

Connecting Online from the CX-Programmer tells how to connect to a PLC or PT from a computer running the CX-Programmer.

⚠ WARNING Failure to read and understand the information provided in this manual may result in personal injury or death, damage to the product, or product failure. Please read each section in its entirety and be sure you understand the information provided in the section and related sections before attempting any of the procedures or operations given.

PRECAUTIONS

This section provides general precautions for using the USB-Serial Conversion Cable and related devices.

The information contained in this section is important for the safe and reliable application of the USB-Serial Conversion Cable. You must read this section and understand the information contained before attempting to set up or operate a USB-Serial Conversion Cable and PLC system.

■ Intended Audience

This manual is intended for the following personnel, who must also have knowledge of electrical systems (an electrical engineer or the equivalent).

- Personnel in charge of purchasing FA devices.
- Personnel in charge of designing FA systems.
- Personnel in charge of managing FA systems and facilities.

■ General Precautions

- The user must operate the product according to the performance specifications described in the operation manuals.
- Consult your OMRON representative before using the product under conditions which are not described in the manual or applying the product to nuclear control systems, railroad systems, aviation systems, vehicles, combustion systems, medical equipment, amusement machines, safety equipment, and other systems, machines, and equipment that may have a serious influence on lives and property if used improperly.
- This manual provides important information for using the CS1W-CIF31 USB-Serial Conversion Cable. Be sure to read this manual before attempting to use the Conversion Cable and keep this manual close at hand for reference during operation.

⚠ WARNING It is extremely important that a PLC and all PLC Units be used for the specified purpose and under the specified conditions, especially in applications that can directly or indirectly affect human life. You must consult with your OMRON representative before applying a PLC system to the above mentioned applications.

■ Operating Environment Precautions

Do not use the USB-serial Conversion Cable in the following places:

- Locations subject to strong electromagnetic fields.
- Locations subject to direct sunlight.
- Locations subject to temperatures or humidity outside the range specified in the specifications.
- Locations subject to condensation as the result of severe changes in temperature.
- Locations subject to corrosive or flammable gases.
- Locations subject to excessive dust, or salts, or metal filings.
- Locations subject to exposure to water, oil, or chemicals.
- Locations subject to shock or vibration.


Provide proper shielding when installing in the following locations:

- Locations subject to static electricity or other sources of noise.
- Locations subject to strong electromagnetic fields.
- Locations subject to possible exposure to radiation.
- Locations near power supply lines.

PRECAUTIONS

■ Application Precautions

- Observe the following precautions when using the USB-Serial Conversion Cable.
- These cables are designed specifically to connect a personal computer to an OMRON PLC or PT. Do not use them to connect any other devices and do not use a commercially available USB-serial conversion cable in place of these cables. Improper usage of these cables may result in damage to external devices, the PLC, or the PT.
 - Do not attempt to disassemble, repair, or modify any Units.
 - Touch a grounded metal object to discharge any static electricity before connecting the Conversion Cable to the PLC's connector, a PLC Connecting Cable, or the personal computer's USB port.
 - To avoid malfunctions due to noise, do not route the Conversion Cable parallel or close to a high-tension power line.
 - Tighten the D-sub connector screws to a torque of 0.4 N·m.
 - Either turn OFF the power supply to the computer or disconnect the cable from the USB connector before setting the DIP switch.
 - Always lock any connectors that are equipped with locking mechanisms.
 - Do not place anything on the cable.
 - Do not bend the cable past its normal bending radius or pull on the cable.
 - Touch the Unit only after touching a grounded metal object to release static electricity from your body.
 - Disconnect or connect the cable only after confirming that communications are not in progress.
 - Do not quickly and repeatedly connect and disconnect the USB connector. Doing so may cause the computer to malfunction.
 - It may take some time for the computer to detect the cable after the cable is connected. This is not a malfunction.
 - Do not connect the RS-232C connector on the CS1W-CIF31 Cable (D-sub type) directly to the RS-232C or RS-422/485 connector on the PLC. The cable may malfunction.
 - Do not connect this cable to a USB hub; connect it directly to a USB connector on the computer. The cable may malfunction.
 - Do not extend the USB portion of this cable with an extension cable. The cable may malfunction.
 - Set the communications port (COM port) number used by the software to the communications port (COM port) number allocated to the Conversion Cable.

<p> Caution Perform wiring so that the power supply wires are not exposed and do not come into contact with any metal parts. Contact with metal parts may cause a fire.</p>

■ **EC Directives**

● **Applicable Directives**

- EMC Directives
- Low Voltage Directive

● **Concepts**

• **EMC Directives**

OMRON devices that comply with EC Directives also conform to the related EMC standards so that they can be more easily built into other devices or the overall machine. The actual products have been checked for conformity to EMC standards (see the following note). Whether the products conform to the standards in the system used by the customer, however, must be checked by the customer.

EMC-related performance of the OMRON devices that comply with EC Directives will vary depending on the configuration, wiring, and other conditions of the equipment or control panel on which the OMRON devices are installed. The customer must, therefore, perform the final check to confirm that devices and the overall machine conform to EMC standards.

Note: Within the EMC (Electromagnetic Compatibility) standards, the applicable EMS (Electromagnetic Susceptibility) standard is EN61000-6-2 and the applicable EMI (Electromagnetic Interference) standard is EN61000-6-4 (10-m regulations.)

• **Low Voltage Directive**

Always ensure that devices operating at voltages of 50 to 1,000 VAC and 75 to 1,500 VDC meet the required safety standards (EN61131-2).

• **Conformance to EC Directives**

The CS1W-CIF31 USB-Serial Conversion Cables comply with EC Directives. Observe the following precautions to ensure that the machine or device in which the Conversion Cable is used complies with EC directives:

1. The CS1W-CIF31 USB-Serial Conversion Cable must be installed within a control panel.
2. Reinforced insulation or double insulation must be used for the DC power supplies providing the communications power supply and I/O power supplies.
3. CS1W-CIF31 USB-Serial Conversion Cables complying with EC Directives also conform to the Common Emission Standard (EN61000-6-4). Radiated emission characteristics (10-m regulations) may vary depending on the configuration of the control panel used, other devices connected to the control panel, wiring, and other conditions. You must therefore confirm that the overall machine or equipment complies with EC Directives.

Overview and Components

Overview

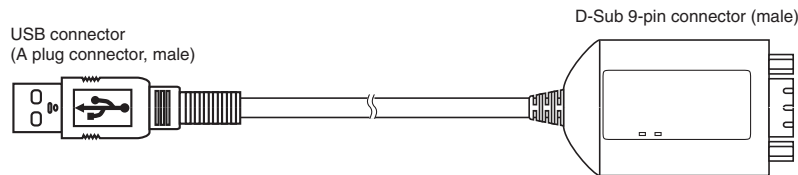
The CS1W-CIF31 USB-Serial Conversion Cable connects an OMRON PLC (Programmable Controller) or PT (Programmable Terminal) to a personal computer's USB port. The cable can be used once the required drivers (on the provided CD-ROM) have been installed in the personal computer.

The Conversion Cable can be used with OMRON PLC/PT software, such as the CX-Programmer, which use the CX-Server or FinsGateway as a communications driver, as well as other OMRON Software, such as the DeviceNet Configurator.

Appearance and Component Names

■ D-sub Connector Cable

● CS1W-CIF31 (USB Connector to D-sub Connector)

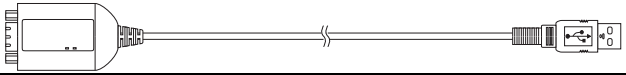
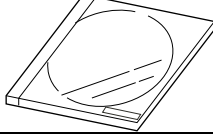


LED Indicators

Indicator	Color	Status	Description
TD	Yellow	Flashing	Data is being sent from the USB-Serial Conversion Cable.
		OFF	Data is not being sent from the USB-Serial Conversion Cable.
RD	Yellow	Flashing	The USB-Serial Conversion Cable is receiving data.
		OFF	The USB-Serial Conversion Cable is not receiving data.

Packing Lists

D-sub Connector Cable (CS1W-CIF31)

Name	Appearance
CS1W-CIF31 (USB Connector to D-sub Connector Conversion Cable)	
Drivers (On CD-ROM)	
User's Manual (this manual) (On CD-ROM in PDF format)	
Instruction Sheet	

Specifications

Compatible Operating Systems

Windows 98/ Me/ 2000/ XP
Windows Vista/ 7/ 8 (32bit/ 64bit) / 10 (32bit/ 64bit) / 11

Compatible Software Applications

The compatible software applications communicate with the PLC using the CX-Server or FinsGateway. The following software applications use CX-Server or FinsGateway.

Name	Communications software
CX-Programmer	CX-Server (FinsGateway is used for network communications.)
CX-Simulator	FinsGateway
CX-Protocol	CX-Server (FinsGateway is used for network communications.)
CX-Position	FinsGateway
CX-Motion	CX-Server
CX-Process	FinsGateway or CX-Server
NS-Designer	FinsGateway
PLC Reporter	FinsGateway

The following software applications are also compatible.

- DeviceNet Configurator
- NT Support Tool for Windows
- ZEN Support Software Ver. 3.0 or later
- Software applications in CX-One

• **Communications Port Limitations with the NT Support Tool**

1) Version 4.00 and Earlier Versions

Only communications ports COM1 and COM2 can be used. Always change the communications port allocation for this device to COM1 or COM2 in the Microsoft Windows Device Manager (see note 1) and specify that port in the NT Support Tool's communications settings. Once the communications port is specified correctly in the Windows Device Manager and the NT Support Tool's communications settings, data such as screen data can be downloaded to the PT or uploaded from the PT through the USB-Serial Conversion Cable.

Note: In most personal computers, COM1 is allocated to the RS-232C port and communications port COM2 can be allocated to the Conversion Cable. Refer to *Changing the Allocated Communications Port* on page 40 for details on changing the communications port. Furthermore, if there is another driver using the allocated port, that driver must be uninstalled.

2) Version 4.60E and Later Versions

Any communications port between COM 1 and COM8 can be used. Check the NT Support Tool's communications settings and verify that the communications port allocated to the Conversion Cable is also specified in the NT Support Tool.

• Limitations when Using the NT Support Tool's System Installer

1) Windows 98 and Windows Me

The system program cannot be downloaded to the PT through the USB-Serial Conversion Cable.

2) Windows 2000, Windows XP, Windows Vista, Windows 7, Windows 8, Windows 10 and Windows 11

Only communications ports COM1 and COM2 can be used. Always change the communications port allocation for this device to COM1 or COM2 in the Microsoft Windows Device Manager (see note 1) and specify that port in the NT Support Tool's communications settings. Once the communications port is specified correctly in the Windows Device Manager and the NT Support Tool's communications settings, the system program can be downloaded to the PT through the USB-Serial Conversion Cable.

Note: In most personal computers, COM1 is allocated to the RS-232C port and communications port COM2 can be allocated to the Conversion Cable. Refer to *Changing the Allocated Communications Port* on page 40 for details on changing the communications port. Furthermore, if there is another driver using the allocated port, that driver must be uninstalled.

Compatible PLCs, PTs and Programmable Relay

The following OMRON PLCs, PTs and Programmable Relay are supported by the compatible software applications.

• PLCs

CS/CJ-series, CP-series, C-series (see note 1), and CVM1/CV-series

• PT

NS-series and NT-series

• Programmable Relay

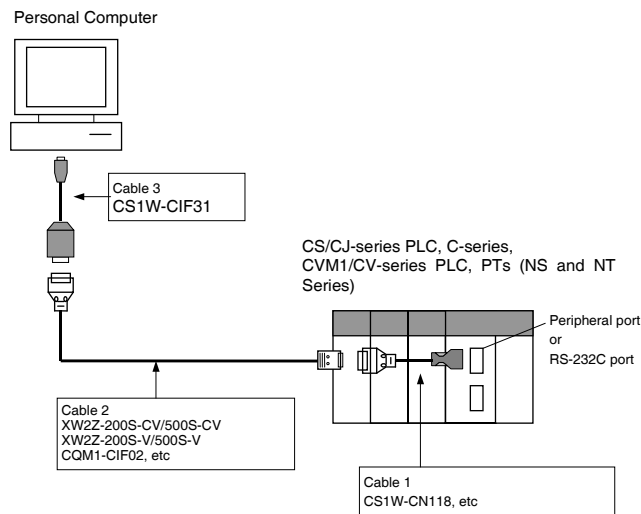
ZEN (see note 2)

Note 1. The following C-series PLCs are supported: C200HS, C200HX/HG/HE, C200H, C1000H, C2000H, CQM1, CPM1, CPM1A, CPM2A, SRM1, CQM1H, and CPM2C.

Note 2. The ZEN Programmable Relay is supported only if ZEN Support Software Ver. 3.0 or later is used.

Connection Configurations

• System Configuration



• Connection Configurations

The following table shows the connection configurations that can be used to connect an OMRON PLC (or PT) to a personal computer's USB port.

USB-Serial Conversion Cable	Required adapters or cables		Compatible PLC or PT connector	Compatible PLCs and PTs	
	Cable 2	Cable 1			
CS1W-CIF31 (D-sub version) Conversion Cable's serial connector D-sub 9-pin male	<ul style="list-style-type: none"> CS1W-CN226/626 (Programming Device Connecting Cable for a CS/CJ-series peripheral port and personal computer) 	None required	CS/CJ-series peripheral port	CS/CJ-series, CQM1H, and CPM2C	
	<ul style="list-style-type: none"> XW2Z-200S-CV/500S-CV or XW2Z-200S-V/500S-V (Programming Device Connecting Cable for an RS-232C port and personal computer) 	<ul style="list-style-type: none"> CS1W-CN118 (RS-232C to CS/CJ-series peripheral port Conversion Cable) 			
	<ul style="list-style-type: none"> CQM1-CIF02 (Programming Device Connecting Cable for a C-series peripheral port and personal computer) 	<ul style="list-style-type: none"> CS1W-CN114 (C-series peripheral port to CS/CJ-series peripheral port Conversion Cable) 			
	<ul style="list-style-type: none"> CQM1-CIF02 (Programming Device Connecting Cable for a C-series peripheral port and personal computer) 	None required	C-series peripheral port	C200HS, C200HX/HG/HE, CQM1, CPM1, CPM1A, CPM2A, and SRM1	
	RS-232C 9-pin to 25-pin adapter	<ul style="list-style-type: none"> CV500-CIF01 (Programming Device Connecting Cable for a CV-series peripheral port and PC98-type personal computer) 		CV-series peripheral port	CVM1/ CV-series
	<ul style="list-style-type: none"> XW2Z-200S-CV/500S-CV or XW2Z-200S-V/500S-V (Programming Device Connecting Cable for an RS-232C port and personal computer) 	-		RS-232C port (D-sub 9-pin)	PLCs (CPU Unit or Serial Communication Unit/Board connection) or PTs
	ZEN-CIF01 (Personal Computer Connecting Cable)	Not necessary		Personal Computer Connecting port	ZEN

Note

The USB-Serial Conversion Cables are for connections between a USB port and an OMRON PLC/PT only. In particular, the CS1W-CIF31 Cable can be used only with compatible OMRON software applications even though it has a standard D-sub 9-pin connector on one end.

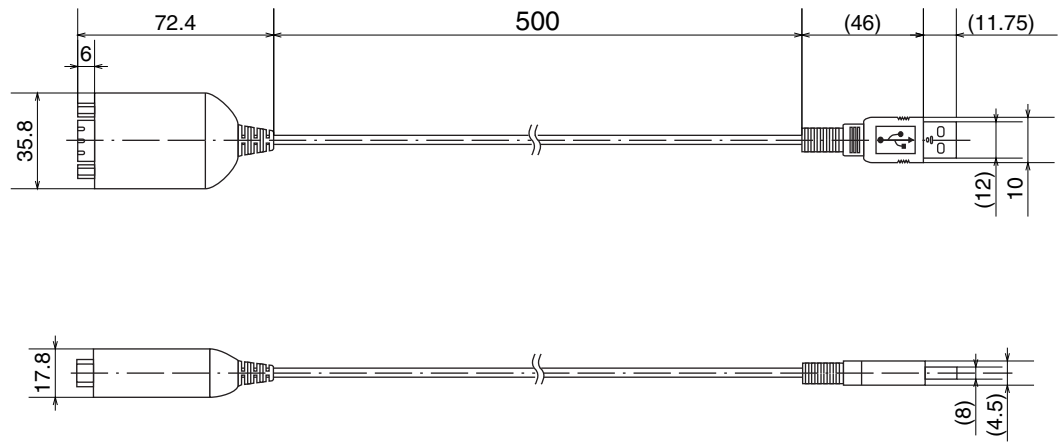
General Specifications

USB Interface rating		Conforms to USB Specification 2.0
DTE speed		115.2 kbps
Connector specifications	Computer end	USB (type A plug, male)
	PLC end	RS-232C (D-sub 9-pin, male)
Power supply		Bus power (5 VDC power from upstream)
Current consumption		35 mA
Operating environment	Ambient temperature	0 to 55°C
	Ambient humidity	10% to 90% humidity (with no condensation)
	Atmosphere	No corrosive gases
Weight		50 g

Dimensions

D-sub Connector Cable

■ CS1W-CIF31

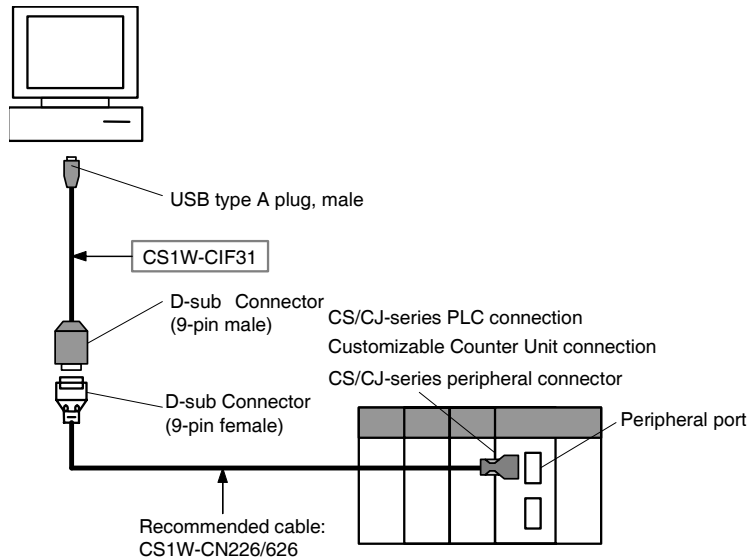


System Configuration

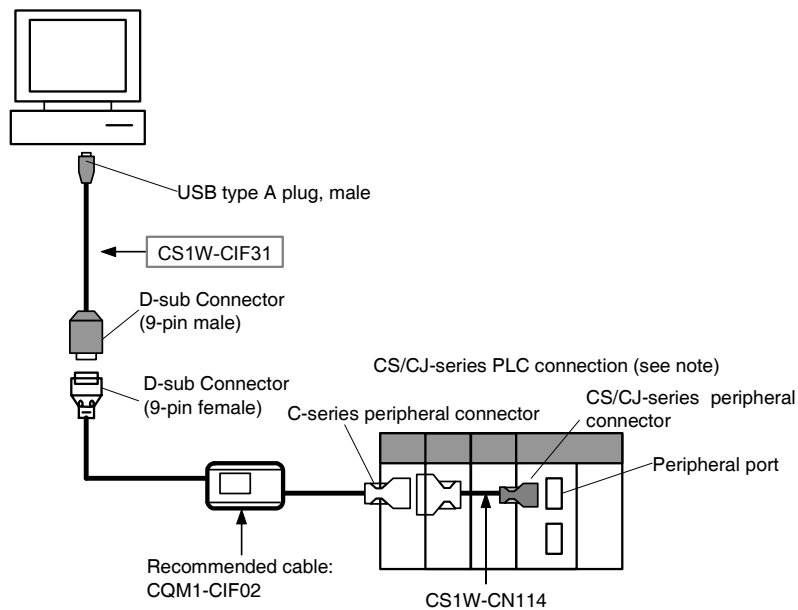
CS/CJ-series PLCs

• Connecting to the Peripheral Port

• Using a CS1W-CN226/626 Cable



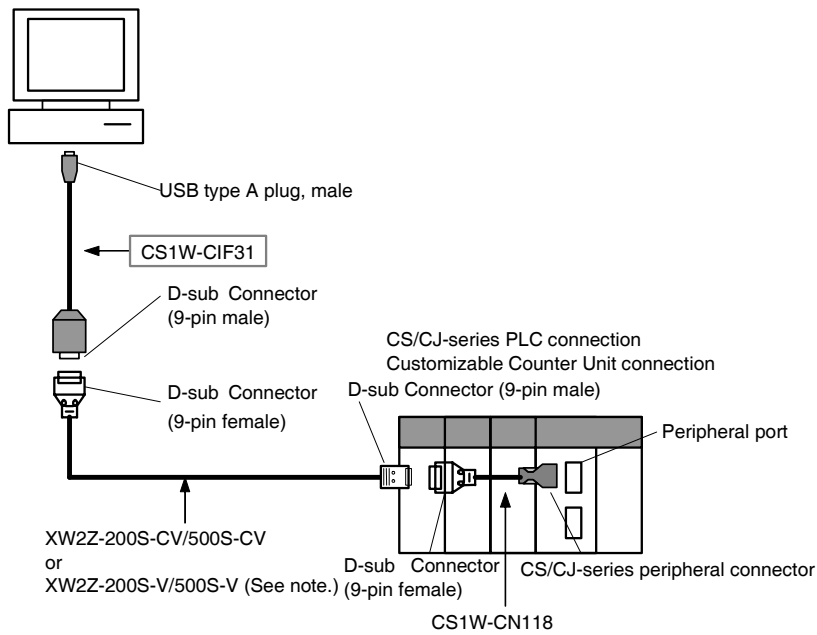
• Using a CQM1-CIF02 Cable



Note: With a CS/CJ-series PLC, the connection must be a host link connection.

System Configuration

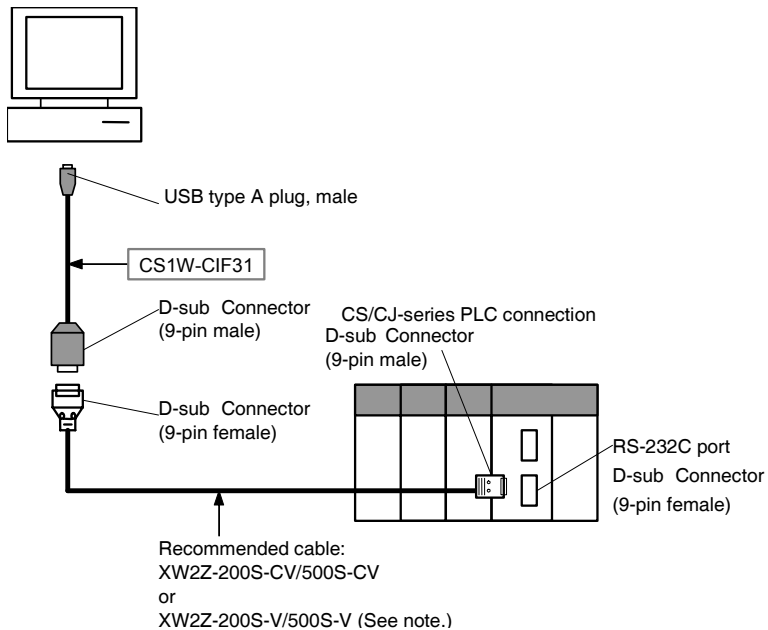
- Using a XW2Z-200S-CV/500S-CV or XW2Z-200S-V/500S-V Cable for an RS-232C Connection



Note: With a CS/CJ-series PLC, the connection must be a host link connection.

• Connecting to the RS-232C Port

- Using a XW2Z-200S-CV/500S-CV or XW2Z-200S-V/500S-V Cable for an RS-232C Connection



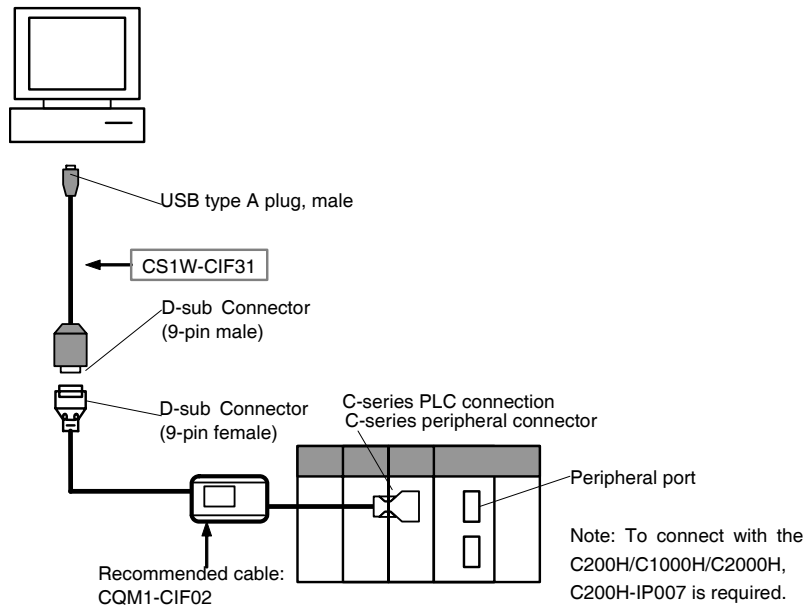
Note: With a CS/CJ-series PLC, the connection must be a host link connection.

C-series PLCs

■ C200HS, C200HX/HG/HE, C200H, C1000H, C2000H, CQM1, CPM1, CPM1A, CPM2A, or SRM1

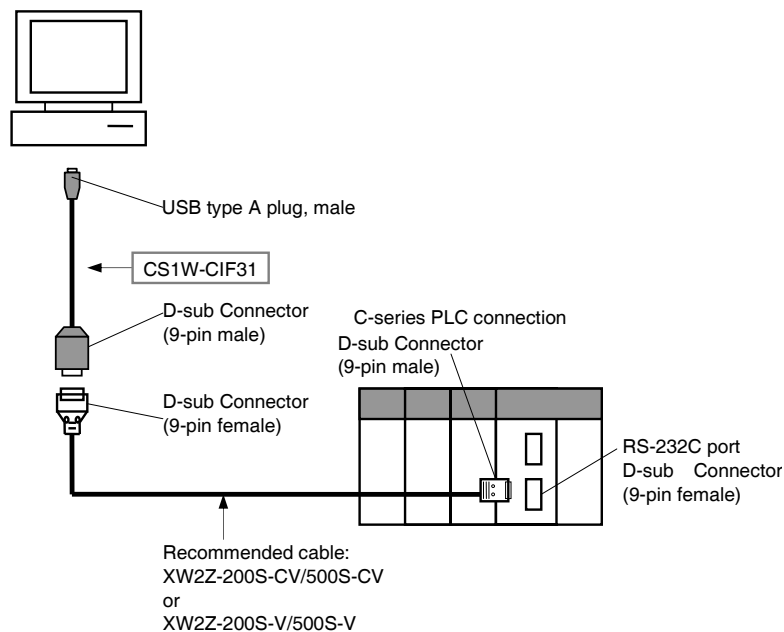
• Connecting to the Peripheral Port

Using a CQM1-CIF02 Cable



• Connecting to the RS-232C Port

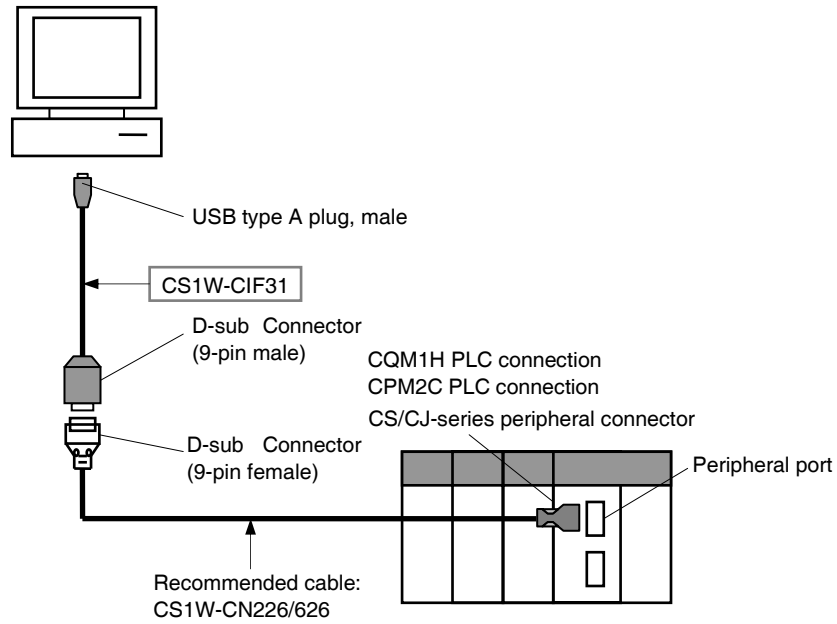
Using a XW2Z-200S-CV/500S-CV or XW2Z-200S-V/500S-V Cable for an RS-232C Connection



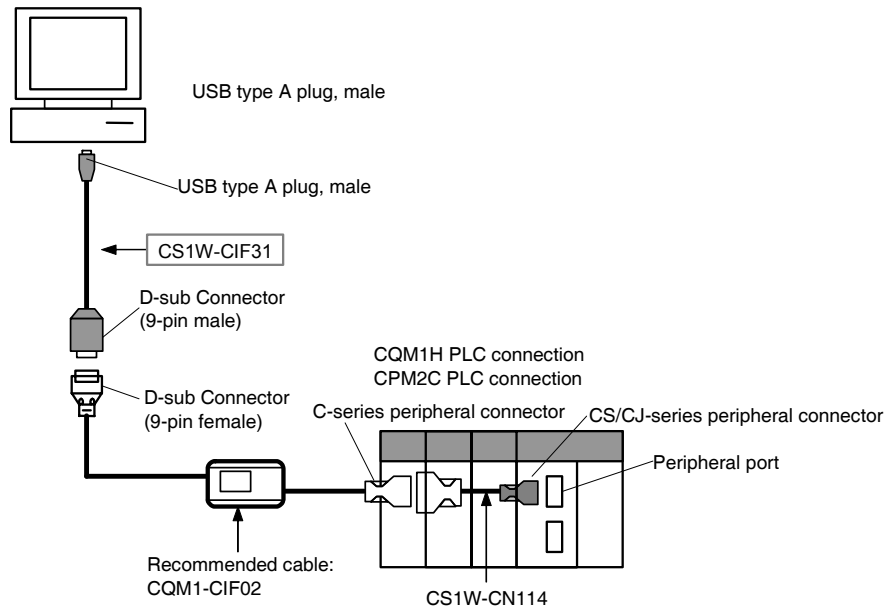
■ CQM1H and CPM2C PLCs

• Connecting to the Peripheral Port

Using a CS1W-CN226/626 Cable

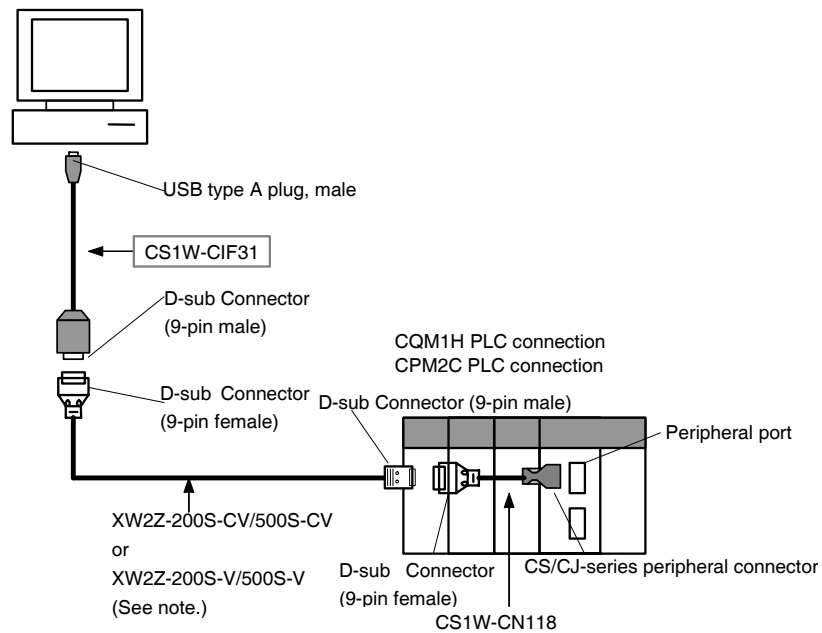


Using a CQM1-CIF02 Cable



Note: With a CS/CJ-series PLC, the connection must be a host link connection.

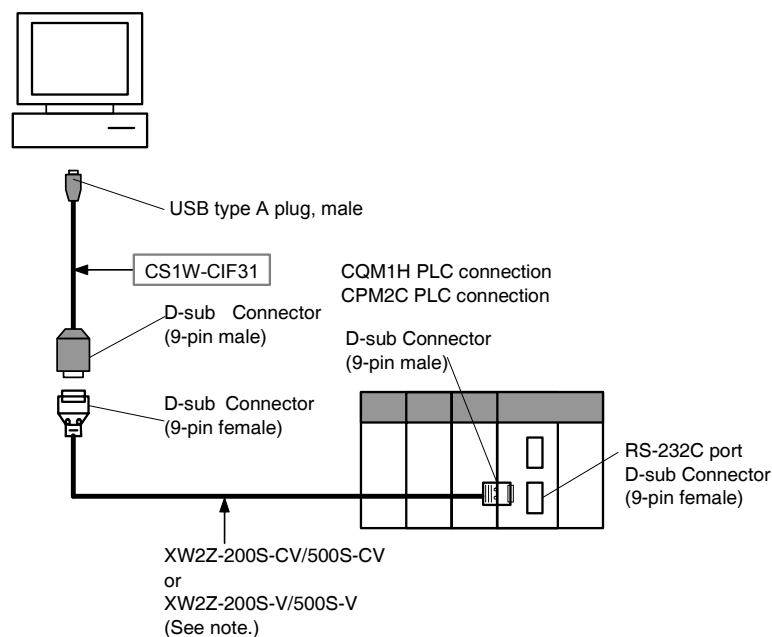
Using a XW2Z-200S-CV/500S-CV or XW2Z-200S-V/500S-V Cable for an RS-232C Connection



Note: With a CS/CJ-series PLC, the connection must be a host link connection.

• **Connecting to the RS-232C Port**

Using a XW2Z-200S-CV/500S-CV or XW2Z-200S-V/500S-V Cable for an RS-232C Connection

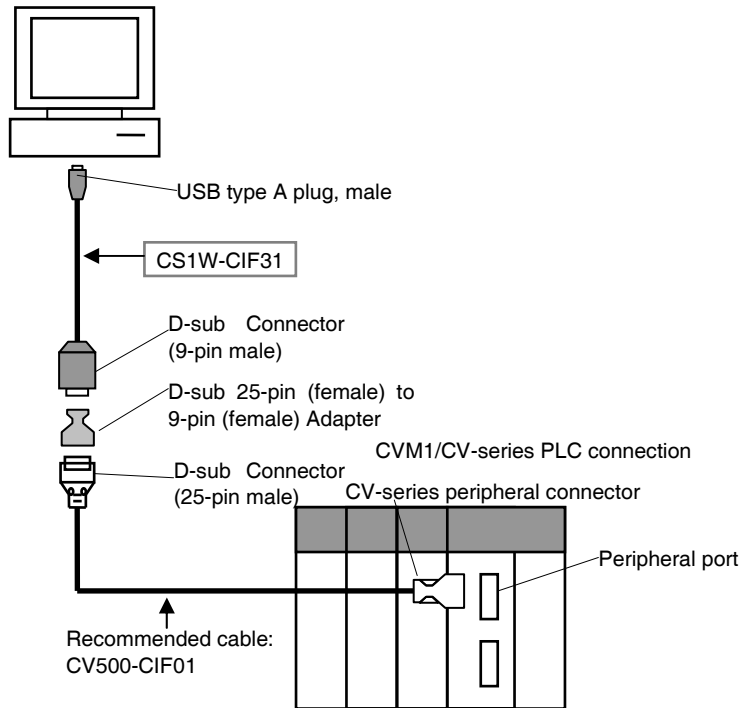


Note: With a CS/CJ-series PLC, the connection must be a host link connection.

CVM1 and CV-series PLCs

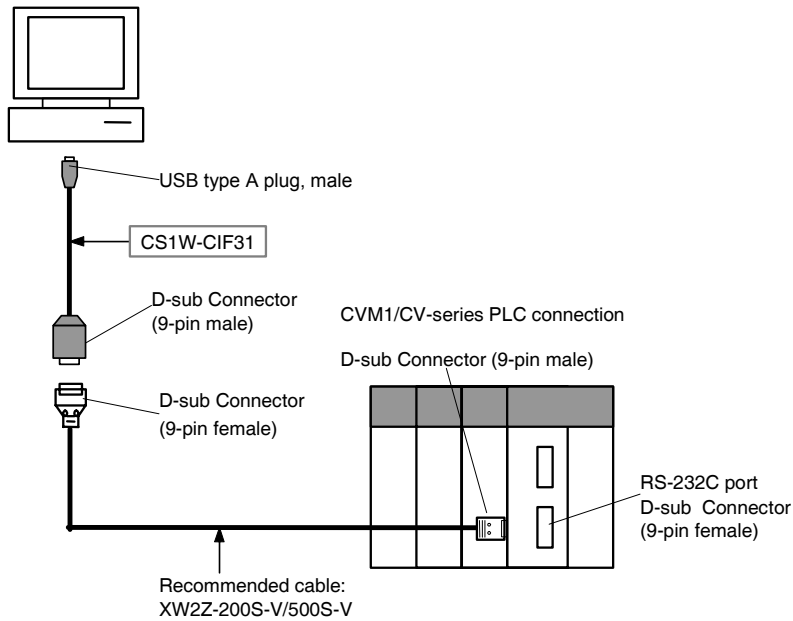
• Connecting to the Peripheral Port

• Using a CV500-CIF01 Cable



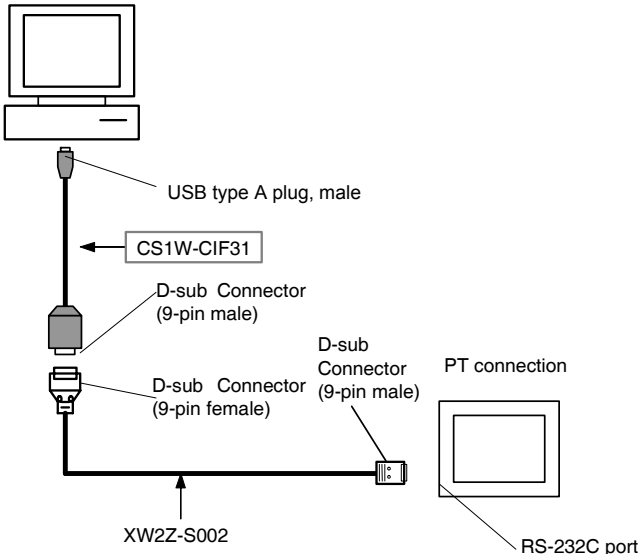
• Connecting to the RS-232C Port

• Using a XW2Z-200S-V/500S-V Cable

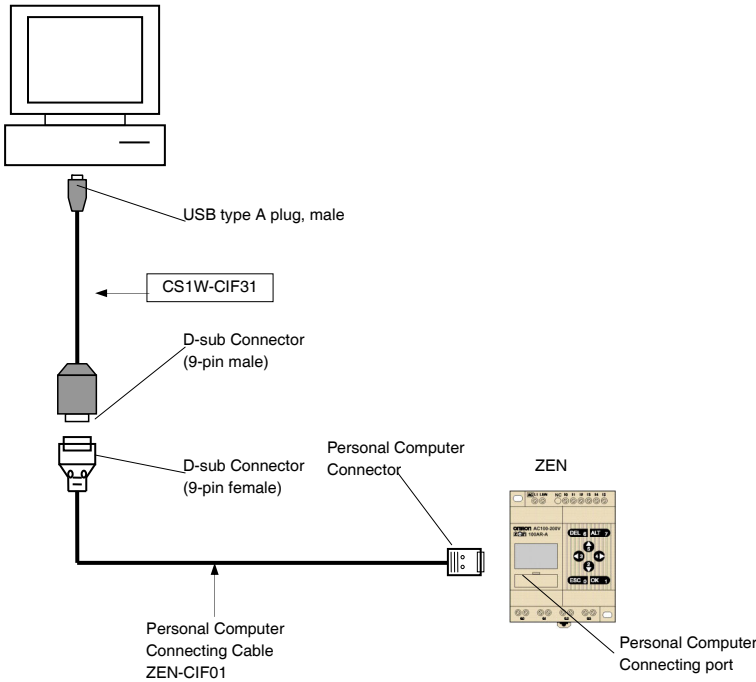


PTs (NS and NT Series)

- Connecting to the RS-232C Port
- Using a XW2Z-S002 Cable

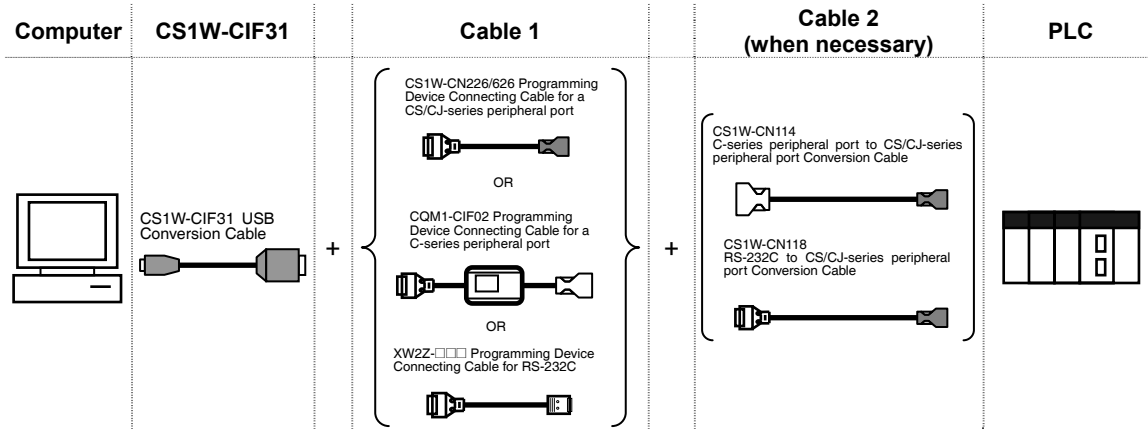


Programmable Relay (ZEN)



USB to PLC/PT Connection Tables

Connecting with the CS1W-CIF31 (D-sub Connector Cable)



CS/CJ-series Units

• CS/CJ-series CPU Units

USB Conversion Cable	Cable 1			Cable 2			Unit's port	Serial communications mode (Network type)
	Model	Connector	Model	Connector	Model	Connector		
CS1W-CIF31	D-sub 9-pin, female	CS1W-CN226/626 (Length: 2 or 6 m)	CS/CJ-series peripheral	Not necessary			CS/CJ-series peripheral	Peripheral bus (Toolbus) or Host link (SYSWAY)
	D-sub 9-pin, female	CQM1-CIF02 (Length: 3.3 m)	C-series peripheral	C-series peripheral	CS1W-CN114 (Length: 5 cm)	CS/CJ-series peripheral		Host link (SYSWAY)
	D-sub 9-pin, female	XW2Z-200S-CV /500S-CV (Length: 2 or 5 m)	D-sub 9-pin, male	D-sub 9-pin, female	CS1W-CN118 (Length: 0.1 m)	CS/CJ-series peripheral	Peripheral bus (Toolbus) or Host link (SYSWAY)	
	D-sub 9-pin, female	XW2Z-200S-V /500S-V (Length: 2 or 5 m)	D-sub 9-pin, male	D-sub 9-pin, female	CS1W-CN118 (Length: 0.1 m)	CS/CJ-series peripheral	Host link (SYSWAY)	
	D-sub 9-pin, female	XW2Z-200S-CV /500S-CV (Length: 2 or 5 m)	RS-232C D-sub 9-pin, male	Not necessary			RS-232C D-sub 9-pin, female	Peripheral bus (Toolbus) or Host link (SYSWAY)
	D-sub 9-pin, female	XW2Z-200S-V /500S-V (Length: 2 or 5 m)	RS-232C D-sub 9-pin, male	Not necessary				Host link (SYSWAY)

USB to PLC/PT Connection Tables

● CS/CJ-series Serial Communications Board or Unit

USB Conversion Cable	Cable 1			Cable 2			Unit's port	Serial communications mode (Network type)
	Model	Connector	Model	Connector	Connector	Model		
CS1W-CIF31	D-sub 9-pin, female	XW2Z-200S-CV /500S-CV (Length: 2 or 5 m)	RS-232C D-sub 9-pin, male	Not necessary			RS-232C D-sub 9-pin, female	Host link (SYSWAY)
	D-sub 9-pin, female	XW2Z-200S-V /500S-V (Length: 2 or 5 m)	RS-232C D-sub 9-pin, male	Not necessary				

● Customizable Counter Unit

USB Conversion Cable	Cable 1			Cable 2			Unit's port	Serial communications mode (Network type)
	Model	Connector	Model	Connector	Connector	Model		
CS1W-CIF31	D-sub 9-pin, female	CS1W-CN226/626 (Length: 2 or 6 m)	CS/CJ-series peripheral	Not necessary			CS/CJ-series peripheral	Peripheral bus (Toolbus)
	D-sub 9-pin, female	XW2Z-200S-V /500S-V (Length: 2 or 5 m)	D-sub 9-pin, male	D-sub 9-pin, female	CS1W-CN118 (Length: 0.1 m)	CS/CJ-series peripheral		Peripheral bus (Toolbus)

■ C-series Units

Note: In this table, the C-series refers to the C200HS, C200HX/HG/HE, C200H, C1000H, C2000H, CQM1, CPM1, CPM1A, CPM2A, SRM1, CQM1H, and CPM2C.

● C200HS, C200HX/HG/HE, CQM1, CPM1, CPM1A, CPM2A, and SRM1

USB Conversion Cable	Cable 1			Cable 2			Unit's port	Serial communications mode (Network type)
	Model	Connector	Model	Connector	Connector	Model		
CS1W-CIF31	D-sub 9-pin, female	CQM1-CIF02 (Length: 3.3 m)	C-series peripheral	Not necessary			C-series peripheral	Peripheral bus (Toolbus) or Host link (SYSWAY) (See note.)
	D-sub 9-pin, female	XW2Z-200S-CV /500S-CV (Length: 2 or 5 m)	D-sub 9-pin, male	Not necessary				RS-232C D-sub 9-pin, female
	D-sub 9-pin, female	XW2Z-200S-V /500S-V (Length: 2 or 5 m)	D-sub 9-pin, male	Not necessary				

Note: The host link mode can be used in all of these PLCs, but the peripheral bus mode cannot be used in CPM2□ PLCs that have a 9 as the 4th digit of the lot number. (The lot number may be 4 or 5 digits long.)

● C200H, C1000H, and C2000H CPU Units

USB Conversion Cable	Cable 1			Cable 2			Unit's port	Serial communications mode (Network type)
	Model	Connector	Model	Connector	Connector	Model		
CS1W-CIF31	D-sub 9-pin, female	CQM1-CIF02 (Length: 3.3 m)	C-series peripheral	C-series peripheral	C200H-IP007	Built-in peripheral port	Host link (SYSWAY)	

USB to PLC/PT Connection Tables

● CQM1H CPU Units

USB Conversion Cable	Cable 1			Cable 2			Unit's port	Serial communications mode (Network type)
	Model	Connector	Model	Connector	Connector	Model		
CS1W-CIF31	D-sub 9-pin, female	CS1W-CN226/626 (Length: 2 or 6 m)	CS/CJ-series peripheral	Not necessary			CS/CJ-series peripheral	Peripheral bus (Toolbus) or Host link (SYSWAY)
	D-sub 9-pin, female	CQM1-CIF02 (Length: 3.3 m)	C-series peripheral	C-series peripheral	CS1W-CN114 (Length: 5 cm)	CS/CJ-series peripheral		
	D-sub 9-pin, female	XW2Z-200S-CV /500S-CV (Length: 2 or 5 m)	D-sub 9-pin, male	D-sub 9-pin, female	CS1W-CN118 (Length: 0.1 m)	CS/CJ-series peripheral		
	D-sub 9-pin, female	XW2Z-200S-V /500S-V (Length: 2 or 5 m)	D-sub 9-pin, male	D-sub 9-pin, female	CS1W-CN118 (Length: 0.1 m)	CS/CJ-series peripheral		
	D-sub 9-pin, female	XW2Z-200S-CV /500S-CV (Length: 2 or 5 m)	D-sub 9-pin, male	Not necessary				
	D-sub 9-pin, female	XW2Z-200S-V /500S-V (Length: 2 or 5 m)	D-sub 9-pin, male	Not necessary				

● CPM2C

USB Conversion Cable	Cable 1			Cable 2			Unit's port	Serial communications mode (Network type)
	Model	Connector	Model	Connector	Connector	Model		
CS1W-CIF31	D-sub 9-pin, female	CQM1-CIF02 (Length: 3.3 m)	C-series peripheral	C-series peripheral	CS1W-CN114 (Length: 5 cm)	CS/CJ-series peripheral	CS/CJ-series peripheral	Peripheral bus (Toolbus) or Host link (SYSWAY) (See note 1.)
	D-sub 9-pin, female	CQM1-CIF02 (Length: 3.3 m)	C-series peripheral	C-series peripheral	CPM2C-CN111 (Peripheral port connector)	CS/CJ-series peripheral		
	D-sub 9-pin, female	CS1W-CN226/626 (Length: 2 or 6 m) (See note 2.)	CS/CJ-series peripheral	Not necessary				
	D-sub 9-pin, female	XW2Z-200S-CV /500S-CV (Length: 2 or 5 m)	D-sub 9-pin, male	D-sub 9-pin, female	CS1W-CN118 (Length: 0.1 m)	CS/CJ-series peripheral		
	D-sub 9-pin, female	XW2Z-200S-CV /500S-CV (Length: 2 or 5 m)	D-sub 9-pin, male	D-sub 9-pin, female	CPM2C-CN111 (RS-232C port connector)	CS/CJ-series peripheral		
	D-sub 9-pin, female	XW2Z-200S-V /500S-V (Length: 2 or 5 m)	D-sub 9-pin, male	D-sub 9-pin, female	CS1W-CN118 (Length: 0.1 m)	CS/CJ-series peripheral		
	D-sub 9-pin, female	XW2Z-200S-V /500S-V (Length: 2 or 5 m)	D-sub 9-pin, male	D-sub 9-pin, female	CPM2C-CN111 (RS-232C port connector)	CS/CJ-series peripheral		

Note 1: The host link mode can be used in all of these PLCs, but the peripheral bus mode cannot be used in CPM2C PLCs that have a 9 as the 4th digit of the lot number. (The lot number may be 4 or 5 digits long.)

Note 2: Only host link mode can be used.

USB to PLC/PT Connection Tables

● C-series Host Link Unit (C200H-LK201-V1 or C120-LK201-V1)

Note: The Host Link Unit cannot be used to connect a Programming Device (such as the CX-Programmer) to a C200HX/HG/HE with the "-ZE" suffix at the end of the model number.

USB Conversion Cable	Cable 1			Cable 2			Unit's port	Serial communications mode (Network type)
	Model	Connector	Model	Connector	Connector	Model		
CS1W-CIF31	D-sub 9-pin, female	XW2Z-200P-V (Length: 2 or 5 m)	D-sub 25-pin, male	Not necessary			RS-232C D-sub 25-pin, female	Host link (SYSWAY)

● C-series Communications Board (C200HX/HG/HE PLCs Only)

USB Conversion Cable	Cable 1			Cable 2			Unit's port	Serial communications mode (Network type)
	Model	Connector	Model	Connector	Connector	Model		
CS1W-CIF31	D-sub 9-pin, female	XW2Z-200S-CV (Length: 2 or 5 m)	D-sub 9-pin, male	Not necessary			RS-232C D-sub 9-pin, female	Host link (SYSWAY)
	D-sub 9-pin, female	XW2Z-200S-V (Length: 2 or 5 m)	D-sub 9-pin, male	Not necessary				

● C200H, C1000H, and C2000H Host Link Units

Note: The C500-LK203 and C500-LK 201-V1 Host Link Units can be used with the C1000H and C2000H. The C200H-LK201-V1 and C120-LK201-V1 Host Link Units can be used with the C200H.

USB Conversion Cable	Cable 1			Cable 2			Unit's port	Serial communications mode (Network type)
	Model	Connector	Model	Connector	Connector	Model		
CS1W-CIF31	D-sub 9-pin, female	XW2Z-200P-V (Length: 2 or 5 m)	D-sub 25-pin, male	Not necessary			RS-232C D-sub 25-pin, female	Host link (SYSWAY)

● CQM1H Serial Communication Board

USB Conversion Cable	Cable 1			Cable 2			Unit's port	Serial communications mode (Network type)
	Model	Connector	Model	Connector	Connector	Model		
CS1W-CIF31	D-sub 9-pin, female	XW2Z-200S-CV (Length: 2 or 5 m)	D-sub 9-pin, male	Not necessary			RS-232C D-sub 9-pin, female	Host link (SYSWAY)
	D-sub 9-pin, female	XW2Z-200S-V (Length: 2 or 5 m)	D-sub 9-pin, male	Not necessary				

USB to PLC/PT Connection Tables

■ CVM1 and CV-series

● CVM1 and CV-series CPU Units

USB Conversion Cable	Cable 1			Cable 2			Unit's port	Serial communications mode (Network type)
	Model	Connector	Model	Connector	Connector	Model		
CS1W-CIF31	D-sub 9-pin, female	D-sub 25-pin (female) to D-sub 9-pin (female) adapter	D-sub 25-pin, male	D-sub 25-pin, female	CV500-CIF01 (Length: 6 m)	CV-series peripheral	CV-series peripheral	Peripheral bus (Toolbus)
	D-sub 9-pin, female	XW2Z-200S-V /500S-V (Length: 2 or 5 m)	D-sub 9-pin, male	Not necessary			RS-232C D-sub 9-pin, female	Host link (SYSWAY)

● CVM1 and CV-series Host Link Units

● CV500-LK201 (Port 1, Full-duplex mode)

USB Conversion Cable	Cable 1			Cable 2			Unit's port	Serial communications mode (Network type)
	Model	Connector	Model	Connector	Connector	Model		
CS1W-CIF31	D-sub 9-pin, female	XW2Z-200P-V /500P-V (Length: 2 or 5 m)	D-sub 25-pin, male	Not necessary			RS-232C D-sub 25-pin, female	Host link (SYSWAY)

● CV500-LK201 (Port 2, Full-duplex mode)

USB Conversion Cable	Cable 1			Cable 2			Unit's port	Serial communications mode (Network type)
	Model	Connector	Model	Connector	Connector	Model		
CS1W-CIF31	D-sub 9-pin, female	XW2Z-200S-V /500S-V (Length: 2 or 5 m)	D-sub 9-pin, male	Not necessary			RS-232C D-sub 9-pin, female	Host link (SYSWAY)

■ PTs (NS or NT Series)

USB Conversion Cable	Cable 1			Cable 2			Unit's port	Serial communications mode (Network type)
	Model	Connector	Model	Connector	Connector	Model		
CS1W-CIF31	D-sub 9-pin, female	XW2Z-S002 (Length: 2 m)	D-sub 9-pin, male	Not necessary			RS-232C D-sub 9-pin, female	Host link (SYSWAY)

■ Programmable Relay (ZEN)

USB Conversion Cable	Cable 1			Cable 2			Unit's port	Serial communications mode (Network type)
	Model	Connector	Model	Connector	Connector	Model		
CS1W-CIF31	D-sub 9-pin, female	ZEN-CIF01 (Length: 2 m)	Personal Computer Connector	Not necessary			Personal Computer port	

Application Procedure

This section explains how to connect a PLC CPU Unit to a personal computer with a USB-Serial Conversion Cable. Use the procedure below when connecting a PLC CPU Unit and personal computer.

The Conversion Cable uses one of the computer's COM ports for communications. When communicating with a PLC through a Conversion Cable, set the communications port (COM port) number used by the software to the communications port (COM port) number allocated to the Conversion Cable.

1. Connect the Cable(s).

Connect the Conversion Cable to the computer's USB port and the CPU Unit's peripheral port or RS-232C port.

For details, refer to *Connecting the Cable* on page 30.

2. Install the communications driver.

The Conversion Cable's communications driver must be installed in the computer in order for the computer to use the Conversion Cable.

For details, refer to *Installing the Driver* on page 31.

3. Turn ON the PLC's power.

Turn ON the PLC's power supply.

4. Make an online connection to the CPU Unit through the computer software (when using the CX-Programmer.)

Select the COM port in the CPU Unit from the CX-Programmer and connect online.

For details, refer to *Connecting Online from the CX-Programmer* on page 38.

Note

More than one USB-Serial Conversion Cable can be used at a time, so a single personal computer can be connected to several PLCs/PTs through two or more COM ports.

When more than one Conversion Cable is being used, connect the second and later Cables after the first Cable has been connected.

The communications driver is automatically installed for the second and later Cables, so it is not necessary to install the driver a second time. Each Cable must have its own unique COM port number. Allocate a different COM port to each Cable.

Cable Connections

Connecting the Cable

Connect the computer and CPU Unit with one of the cable configurations shown in the *USB to PLC/PT Connection Table* on page 24.

Installing the Drivers

When the USB-Serial Conversion Cable is connected to the computer, the operating system (OS) will recognize the Cable as a new device. At this point, the driver can be installed with the wizard.

The actual driver installation method depends on the OS being used. Windows XP and Windows 8 are used in the examples in this section.

Note The USB-Serial Conversion Cables are compatible with Windows XP. When you install the Conversion Cable's driver, a warning message will appear indicating that the driver software has not passed Windows Logo testing, but click **Continue Anyway** to proceed with the installation. We have thoroughly tested the driver on Windows XP and verified that it operates properly.

The driver will not be installed properly if the installation process is cancelled before completion. Normal communications may not be possible if the driver is not installed properly. If the driver is not installed properly, uninstall it (refer to page 39) and then reinstall it correctly.

Note The USB-Serial Conversion Cables are compatible with Windows Vista/ 7/ 8/ 10/ 11. When you install the Conversion Cable's driver, a Windows Security message "Would you like to install this device software?" will appear. Click the **Install** button to proceed with the installation.

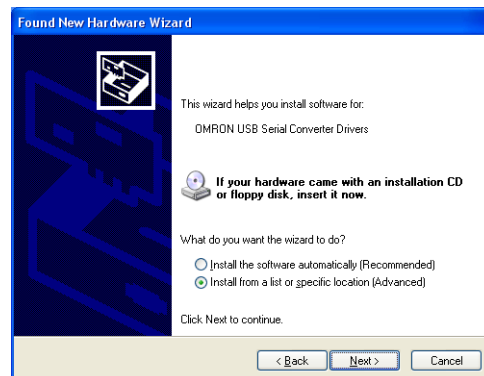
The driver will not be installed properly if the installation process is cancelled before completion. Normal communications may not be possible if the driver is not installed properly. If the driver is not installed properly, uninstall it (refer to page 39) and then reinstall it correctly.

<Windows XP>

1. The following window will be displayed.



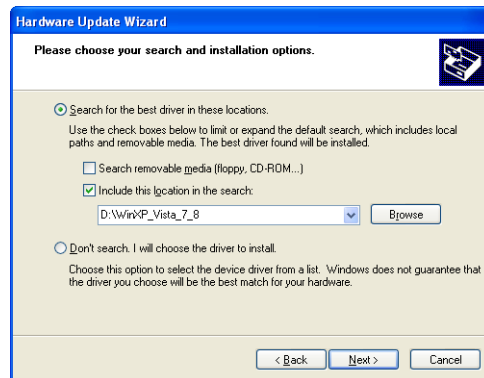
2. Select the *No, not this time* and click the **Next** button. The following window will be displayed



3. Select the *Install from a list or specific location (Advanced)* and click the **Next** button. The following window will be displayed.

Installing the Drivers

Select the *Search for the best driver in there locations* and check the *Include this location in the search*.



4. Insert the CD-ROM containing the driver (the CD-ROM is in the same package as the Conversion Cable) into the computer's CD-ROM drive. Click the **Browse** button, select the following directory of the CD-ROM and click the **OK** button.

Windows 10/ 11: **Win10_11**

Windows XP/ Vista/ 7/ 8: **WinXP_Vista_7_8**

Windows 2000: **Win2K**

Windows 98/ Me: **Win98_Me**

Click the **Next** button in the *Please choose your search and installation options* window.

5. The following window will be displayed. Click the **Continue Anyway** button to start installing the driver.



6. The following window will be displayed if the driver was installed properly. Click the **Finish** button.



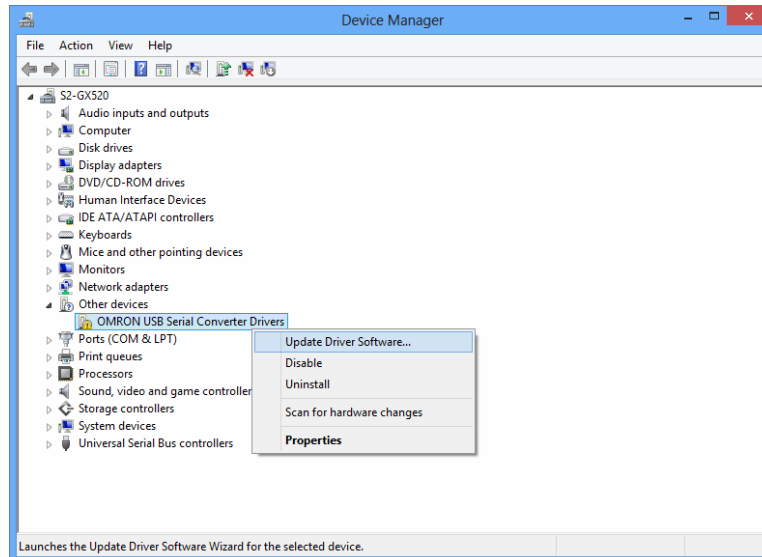
7. When the **Finish** button is clicked in step 6, the installation of the USB Serial Port driver will be automatically started.

Follow the same procedure in steps 1 through 6 to install the USB Serial Port driver. (Driver installation is completed after installation of the USB Serial Port driver.)

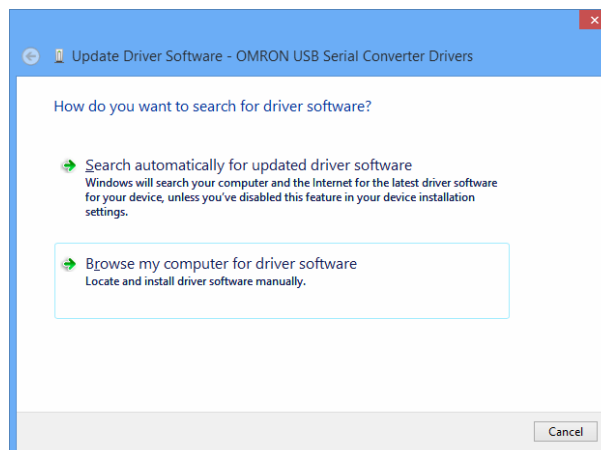
8. When the installation is completed, the communications port (COM port) number will be automatically allocated. Refer to the Verifying the Allocated Communications Port on page 39 for how to confirm the allocated communications port number.

<Windows 8>

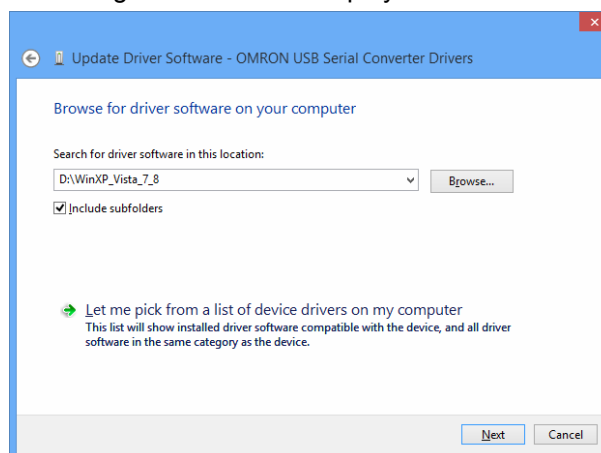
1. Insert this cable to the USB port of your computer.
2. Click the *System properties* of *Computer* to start the *Device Manager*.
3. Right-click on the *OMRON USB Serial Converter Drivers* under the *Other devices*. Then, click the *Update Driver Software...* from the right-click menu.



4. The following window will be displayed. Click the *Browse my computer for driver software*.



5. The following window will be displayed.



Installing the Drivers

6. Insert the CD-ROM containing the driver (the CD-ROM is in the same package as the Conversion Cable) into the computer's CD-ROM drive. Click the **Browse** button, select the following directory of the CD-ROM and click the **Next** button.

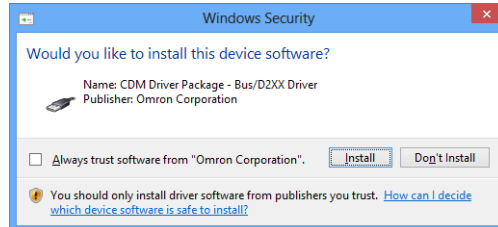
Windows 10/ 11: **Win10_11**

Windows XP/ Vista/ 7/ 8: **WinXP_Vista_7_8**

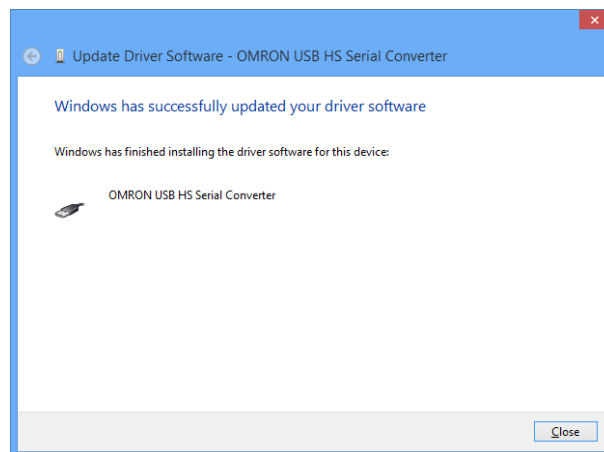
Windows 2000: **Win2K**

Windows 98/ Me: **Win98_Me**

7. Click the **Install** button in *Windows Security* window.



8. The following window will be displayed when the driver was installed properly. Click the **Close** button.



9. Next, right-click on the *USB Serial Port* under the *Other devices* in the *Device Manager* and click the *Update Driver Software...* from the right-click menu. Follow the same procedure in steps 4 through 8 to install the USB Serial Port driver. (Driver installation is completed after installation of the USB Serial Port driver.)
10. When the installation is completed, the communications port (COM port) number will be automatically allocated. Refer to the *Verifying the Allocated Communications Port* on page 39 for how to confirm the allocated communications port number.

Uninstalling the Drivers

Use the following procedure to delete (uninstall) the drivers for the USB-Serial Conversion Cable.

<Windows Vista/ 7/ 8/ 10/ 11>

1. Connect the Conversion Cable to computer.
2. Click *System properties of Computer* to start the *Device Manager*.
3. Right-click on the *OMRON CS1W-CIF3* USB Serial Port(COM3)* in the *Ports(COM & LPT)* and click the **Uninstall** button.
4. *Confirm Device Uninstall* window will be displayed.

Select *Delete the driver software for the device* and click the **OK** button.



5. Click the *OMRON USB Serial Converter* in the *Universal Serial Bus controllers* and click the **Uninstall** button.

6. *Confirm Device Uninstall* window will be displayed.

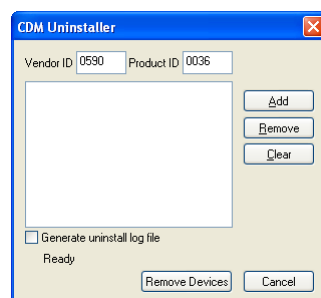
Select *Delete the driver software for the device* and click the **OK** button.



This completes the deletion (uninstallation) of the Conversion Cable's drivers.

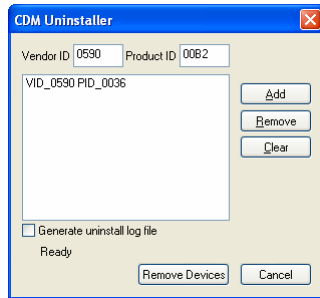
<Windows 2000/ XP>

1. Disconnect the Conversion Cable from the computer.
2. Double-click the *CDMuninstallerGUI.exe* in the *UNINSTALL* folder from the CD-ROM to start the *CDM Uninstaller*.
3. Enter **0590** in the Vendor ID field and **0036** in the Product ID field. Then, click the **Add** button.

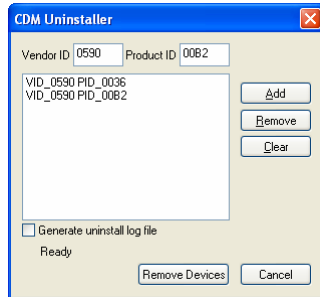


4. Next, enter **0590** in the Vendor ID field and **00B2** in the Product ID field. Then, click the **Add** button.

Uninstalling the Drivers



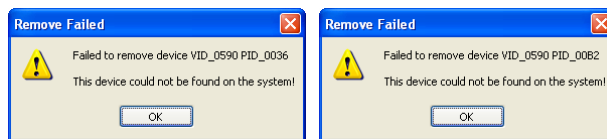
5. Confirm that **VID_0590 PID_0036** and **VID_0590 PID_00B2** are registered in the list. Then, click the **Remove Devices** button.



6. The following window will be displayed. Click the **OK** button.



7. If the following windows are displayed, click the **OK** button.

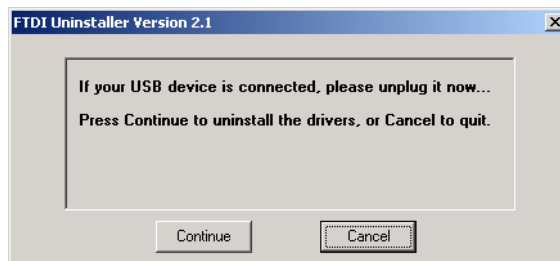


8. Click the **Cancel** button to exit *CDM Uninstaller*.

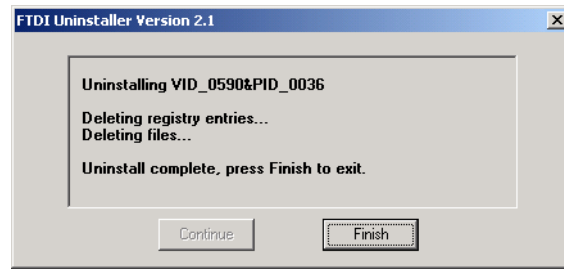
This completes the deletion (uninstallation) of the Conversion Cable's drivers.

<Windows 98/ Me>

1. Disconnect the Conversion Cable from the computer.
2. Select Add/Remove Programs from the Control Panel.
3. Select *OMRON USB-to-Serial Converter Drivers* and click the **Delete** button. The following window will be displayed.



4. Click the **Continue** button. When the drivers have been successfully deleted, the message *Uninstall complete, press Finish to exit* will be displayed.



5. Click the **Finish** button.

This completes the deletion (uninstallation) of the Conversion Cable's drivers.

Connecting Online from the CX-Programmer

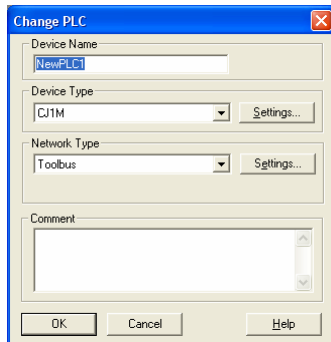
The USB-Serial Conversion Cable uses one of the computer's COM ports to communicate. The communications port (COM port) allocated to the Conversion Cable must be selected with the CX-Programmer in order to connect online to a PLC or PT.

Note: It may take some time for the computer to detect the cable after the cable is connected. This is not a malfunction.

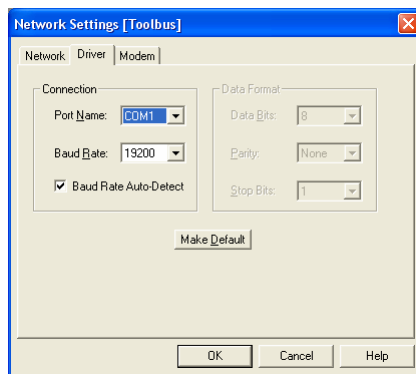
■ Selecting the Cable's COM Port in CX-Programmer

Use the following procedure to select the COM port used by the Conversion Cable.

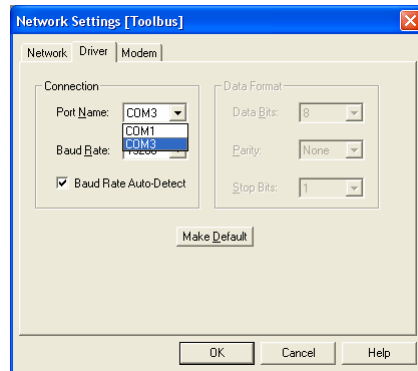
1. Display the *Change PLC* dialog box.



2. Click the **Settings** button in the *Network Type* area. Select the desired type of network.
The *Network Settings* dialog box will be displayed.
3. Click the **Driver** tab in the *Network Settings* dialog box.



4. Locate the *Port Name* setting and select the COM port being used by the Conversion Cable.



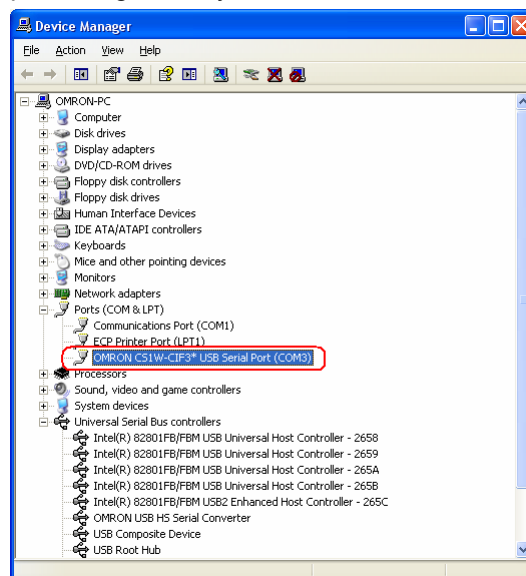
Note If you fail to connect with this USB Cable, turn OFF auto baud rate detection if it is being used by your software. With the CX-Programmer, auto baud rate detection can be turned OFF by clearing the selection for it on the *Network Settings* dialog box.

■ Verifying the Allocated Communications Port

The communications port (COM port) being used by the Conversion Cable can be verified with the following procedure. The actual verification procedure depends on the operating system. This example shows the procedure for Windows XP.

1. Open the *Control Panel*, open the *System* folder, and click the **Hardware** tab.
2. Click the **Device Manager** button.
3. Click the + symbol to the left of the *Ports (COM & LPT)* device icon to display the contents of that folder. Verify that there is an entry for the *OMRON CS1W-CIF3* USB Serial Port (COM□)* device.

A communications port name will appear in parentheses. This is the communications port being used by the Conversion Cable.

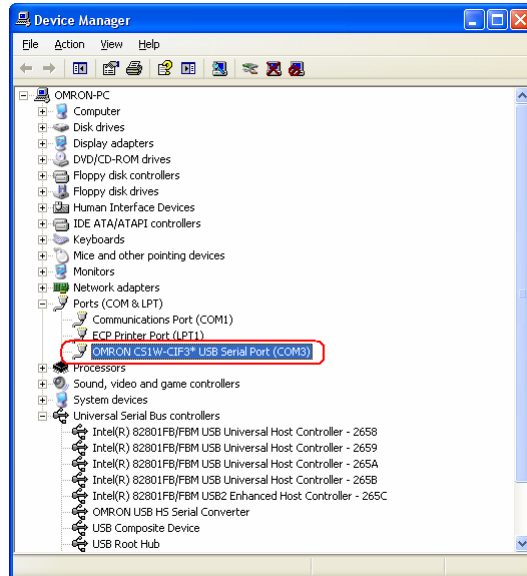


■ Changing the Allocated Communications Port

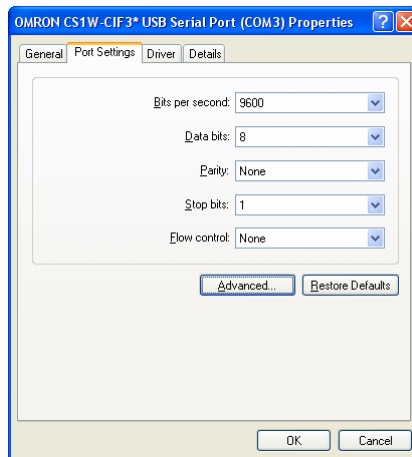
The communications port (COM port) being used by the Conversion Cable can be changed with the following procedure. The actual change procedure depends on the operating system. This example shows the procedure for Windows XP.

Note If the new COM port is being used by another driver, that driver must be uninstalled.

1. Double-click *OMRON CS1W-CIF3* USB Serial Port (COM□)* in the Device Manager window.

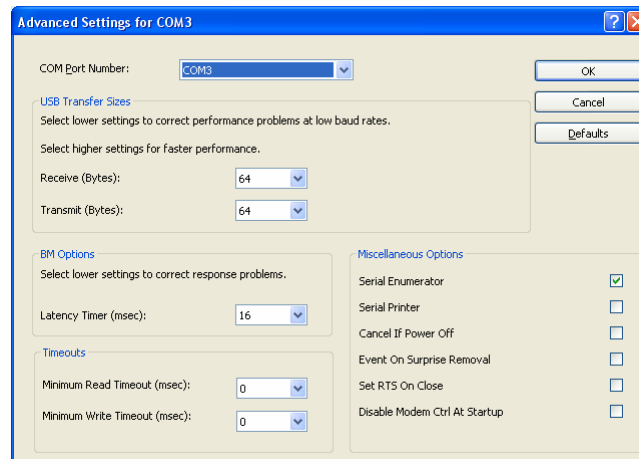


2. Click the **Port Settings** tab.



Connecting Online from the CX-Programmer

3. Click the **Advanced** button. The following window will be displayed.



4. Select the new COM port number from the *COM Port Number* list.
5. Click the **OK** button to change the COM port used by the Conversion Cable.

Using More than One Conversion Cable

The operating system recognizes USB-Serial Conversion Cables individually. If a second Conversion Cable is connected after the driver has been installed, driver installation will be requested again. Install the driver from the CD-ROM again.

If you do not own the CD-ROM and will use more than one Conversion Cable, copy the *Win10_11* folder from the CD-ROM to a folder on your hard disk, and select this folder.

Note: Use the following directory:

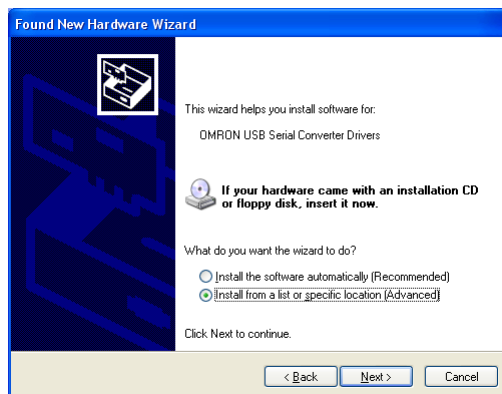
Windows 10/ 11: **Win10_11**

Windows XP/ Vista/ 7/ 8: **WinXP_Vista_7_8**

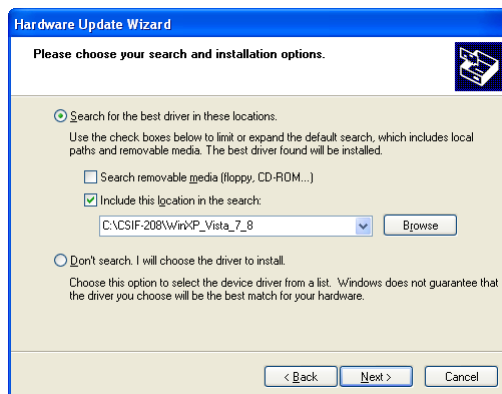
Windows 2000: **Win2K**

Windows 98/ Me: **Win98_Me**

1. Copy the *Win10_11* folder from the CD-ROM to your hard disk (the CD-ROM is in the same package as the Conversion Cable).
(Note) Copy the *WinXP_Vista_7_8* folder in case of Windows XP/Vista/7/8, the *Win2K* folder in case of Windows 2000, and the *Win98_Me* folder in case of Windows 98 or Windows Me.
2. The following window will be displayed.
Select *Install from a list or specific location (Advanced)* and click the **Next** button.

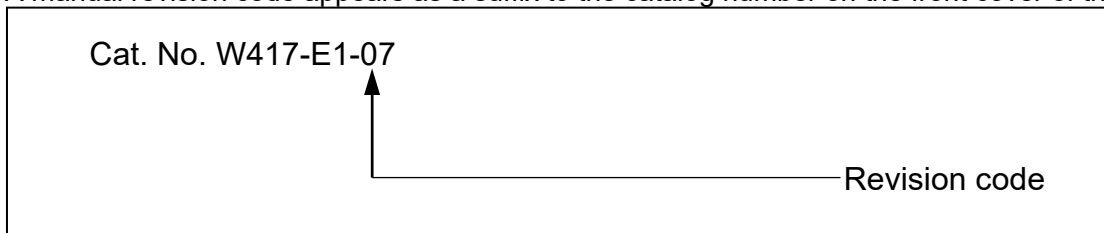


3. Click the **Browse** button next to the *Include this location in the search* field, select the *WinXP_Vista_7_8* folder copied from CD-ROM onto your hard disk, and click the **Next** button.



Revision History

A manual revision code appears as a suffix to the catalog number on the front cover of the manual.



The following table outlines the changes made to the manual during each revision. Page numbers refer to the previous version.

Revision code	Date	Revised content
01	February 2003	Original production
02	October 2006	Page 7: Changed EMI standard number of EC Directives. Page 30: Changed the reference directory for the driver file. Page 37: Add section on using more than one Conversion Cable.
03	July 2007	Page 10: Changed the compatible operating systems. Page 29: Changed information on installing the drivers.
04	October 2010	Revisions associated with support of 64-bit OS.
05	June 2013	Revisions associated with support of Windows 8.
06	January 2019	Revisions associated with support of Windows 10.
07	April 2022	Revisions associated with support of Windows 11.

Index

C

communications port	
changing.....	40
verifying.....	39
component names.....	10
configuration, PLC/PT connections	
C200HS, C200HX/HG/HE, C200H, C1000H/2000H, CQM1, CPM1, CPM1A, CPM2A, and SRM1.....	19
CQM1H, CPM2C.....	20
CS/CJ-series PLCs.....	17
C-series PLCs.....	19
CVM1 and CV-series PLCs.....	22
NS-series and NT-series PTs.....	23
Programmable Relay (ZEN).....	23
CX-Programmer	
communications port.....	38

D

dimensions.....	16
drivers	
installing.....	31
uninstalling.....	35, 42

O

operating system, applicable.....	12
overview.....	10

P

PLCs, applicable.....	13
PTs, applicable.....	13

S

software, applicable.....	12
---------------------------	----

OMRON Corporation Industrial Automation Company
Kyoto, JAPAN

Contact: www.ia.omron.com

Regional Headquarters

OMRON EUROPE B.V.

Wegalaan 67-69, 2132 JD Hoofddorp
The Netherlands
Tel: (31)2356-81-300/Fax: (31)2356-81-388

OMRON ASIA PACIFIC PTE. LTD.

438B Alexandra Road, #08-01/02 Alexandra
Technopark, Singapore 119968
Tel: (65) 6835-3011/Fax: (65) 6835-2711

OMRON ELECTRONICS LLC

2895 Greenspoint Parkway, Suite 200
Hoffman Estates, IL 60169 U.S.A.
Tel: (1) 847-843-7900/Fax: (1) 847-843-7787

OMRON (CHINA) CO., LTD.

Room 2211, Bank of China Tower,
200 Yin Cheng Zhong Road,
PuDong New Area, Shanghai, 200120, China
Tel: (86) 21-5037-2222/Fax: (86) 21-5037-2200

Authorized Distributor:

© OMRON Corporation 2003-2022 All Rights Reserved.
In the interest of product improvement,
specifications are subject to change without notice.

Cat. No. W417-E1-07

0422