

OMRON

Model E5EJ Temperature Controller with communication function

UK/USA

INSTRUCTION MANUAL

D

Bedienungsanleitung

F

Manuel d'instructions

Thank you for purchasing this OMRON product.

This manual primarily describes precautions required in installing and wiring the temperature controller. Before operating the product, read this manual thoroughly to acquire sufficient knowledge of the product to use it safely and correctly. Keep this manual close at hand and use for reference during operation.

Vielen Dank für den Kauf dieses OMRON Produktes.

Bevor Sie dieses Netzteil in Betrieb nehmen, machen Sie sich mit dem Produkt ausreichend vertraut, um es sicher und korrekt einzusetzen. Nehmen Sie diese Betriebsanleitung zur Hand, wenn Sie mit dem Gerät arbeiten.

Nous vous remercions d'avoir fait l'acquisition de ce produit OMRON.

Avant d'utiliser cette alimentation, veuillez lire attentivement ces instructions, afin de vous familiariser avec le produit et de l'utiliser en toute sécurité et correctement. Garder ce manuel à portée de main lors des opérations.

Karasuma Nanajo, Shimogyo-ku, Kyoto 600, Japan
OMRON Corporation

0682658-4A

CONTENTS JNHALT/SVERZEICHNIS INDEX

UK/USA

OPERATION 1~2

COMMUNICATION 3~4

D

BEDIENUNG 5~6

KOMMUNIKATION 9

F

OPERATION 7~8

COMMUNICATION 9

PRECAUTIONS IN USING THE PRODUCT VORSICHTSMAßNAHMEN ZUM GEBRAUCH DES GERÄTES PRÉCAUTIONS D'EMPLOI

When the product is used under the circumstances or environment below, ensure adherence to limitations of the ratings and functions. Also, take countermeasures for safety precautions such as fail-safe installations.

- Use under circumstances or environment which are not described in the instruction manual.
- Use for nuclear power control, railway, aircraft, vehicle, incinerator, medical equipment, entertainment equipment, safety device etc...
- Use for applications where death or serious property damage is possible and extensive safety precautions are required.

Halten Sie bitte alle angegebenen Grenzwerte ein, wenn das Gerät unter den folgenden Umständen oder Umweltbedingungen eingesetzt wird. Beachten Sie die Sicherheitsstandards und üblichen Installationsvorschriften.

- Bei Anwendungen, die nicht im Katalog stehen.
- Bei Verwendung in Kernkraftwerken, Eisenbahnen, Flugzeugen, Fahrzeugen, Verbrennungsöfen, Unterhaltungselektronik, Sicherheitsgeräte u.v.a.m.
- Bei Verwendung in Applikationen, wobei Tod oder Besitz-/ Vermögensverluste möglich sind und umfassende Sicherheitsvorschriften gelten.

Lorsque le produit est utilisé dans les circonstances ou environnements suivants, vérifier que son utilisation reste dans les limites de ces fonctions. Considérer aussi les précautions de sécurité lors de l'installation.

- Utilisation dans des circonstances et environnements non décrit dans le manuel d'instruction.
- Utilisation en milieu nucléaire, ferroviaire, aérospatial, véhicule, incinérateur, équipement médical, équipement de divertissement, appareil de sécurité, etc...
- Utilisation dans le cas d'applications où la mort ou des dommages graves sont encourus et des mesures supplémentaires de sécurité doivent être prises

PRECAUTIONS ON SAFETY

⚠ WARNING

⚠ WARNING

Incorrect handling may cause death or injury.

Do not touch terminal.
Electric shock hazard may be caused.

VORSICHTSMAßNAHME SICHERHEITSHINWEIS

⚠ ACHTUNG

⚠ ACHTUNG

Falsche Handhabung kann Unfälle mit Verletzungen oder Todesfolge verursachen.

Anschlüsse nicht berühren.
Nichtbeachtung führt zu Verletzungen.

PRÉCAUTIONS DE SÉCURITÉ

⚠ ATTENTION

⚠ ATTENTION

Toute mauvaise manipulation peut causer des blessures corporelles, voire la mort.

Ne pas toucher la borne.
Risque de choc électrique.

NOTICE HINWEIS NOTE

Items shown below are necessary for safe usage. Please note them carefully.

- Do not use the product in places where explosive or flammable gases may be present.
- Never disassemble, repair or modify the product. Return to OMRON for all repairs.
- Tighten the terminal screws with a torque of 0.74 N·m (7.5 kgf·cm) or the equivalent.
- Use the specified size solderless terminals for wiring.
- Use the product within the rated supply voltage.
- Use the product within the rated load.
- If you remove the controller from its case, never touch nor apply shock to the electronic parts inside.
- Do not cover the controller.
- Do not use the product where the following conditions are present:
 - icing, condensation, dust or corrosive gas (especially sulfide gas or ammonia gas)
 - strong vibration or shock
 - wet or oily environments
 - large temperature changes
 - heat radiation from furnaces
- Be sure to wire properly with correct polarity of terminals.
- Avoid wiring near high voltage sources and power lines carrying large currents.
- Cleaning: Do not use paint thinner or the equivalent. Use standard grade alcohol to clean the product.
- No user serviceable parts.
 - However, output unit can be replaced.
- Life of the output relay varies according to switching capacity and switching conditions. Please use the product under the rated load and electrical life expectancy (operations). If product usage exceeds electrical ratings and operations, the relay contacts will fail and a fire hazard will result.
- Always turn on the controller and the load simultaneously. Never turn on the load when the controller is already turned on. Doing so will disable proper self-tuning and optimum control. For example, when setting the parameters to the controller with the load turned off, turn off the controller once after completing the setting and then turn it on again simultaneously with the load. Or, switch Event input 2 from STOP to RUN.

Um eine sichere Anwendung zu gewährleisten, ist es notwendig die unten aufgeführten Punkte sorgfältig zu beachten.

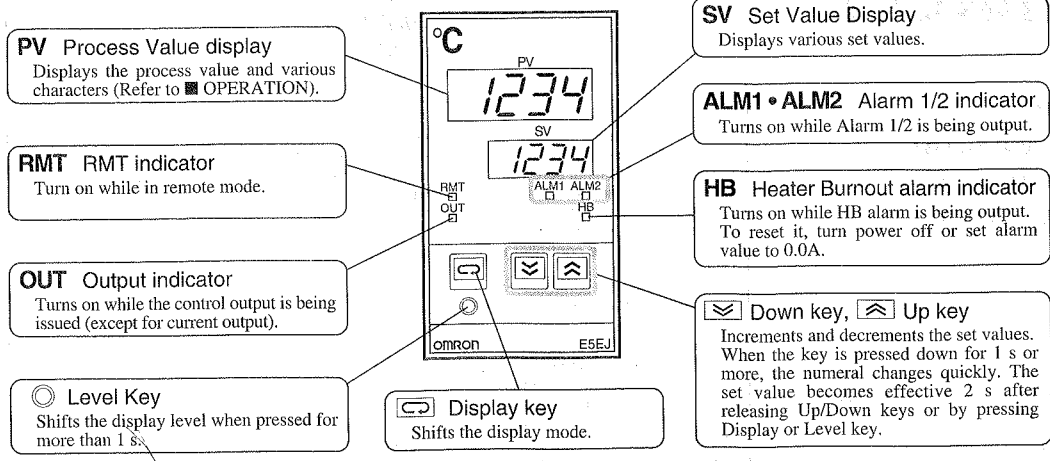
- Benutzen Sie das Gerät nicht an Orten, an denen explosive oder brennbare Gase sein können.
- Demontieren, reparieren oder verändern Sie das Produkt unter keinen Umständen. Im Reparaturfall zurück nach OMRON.
- Ziehen Sie die Klemmschrauben mit einem max. Drehmoment von 0,74 N·m an.
- Verwenden Sie die angegebene Größe der lötlöfreien Schraubklemmen zur Verdrahtung.
- Verwenden Sie das Gerät nur innerhalb der angegebenen Spannungsbereichs.
- Verwenden Sie das Gerät nur innerhalb der angegebenen Last.
- Wenn der Regler aus seinem Gehäuse genommen ist, niemals die elektronischen Bauteile im Inneren berühren oder sie elektrischen Schlägen aussetzen.
- Nicht den Regler verdecken.
- Den Regler nicht an den folgenden Orten betrieben:
 - Orte, die Vereisung, Kondenswasser, Staub oder ätzenden Gasen ausgesetzt sind (insbesondere Schwefel- oder Ammoniumgas).
 - Orte, die Vibrationen und starken Ershütterungen ausgesetzt sind.
 - Orte, die Flüssigkeitsspritzern oder Öl ausgesetzt sind.
 - Orte, die mit starken Temperaturschwankungen.
 - Orte, die Hitzeabstrahlung, z.B. von Öfen, ausgesetzt sind.
- Beachten Sie beim Anschluß die richtige Polarität der Klemmen.
- Vermeiden Sie eine Verdrahtung in der Nähe von Hochspannung oder von Versorgungsleitungen mit starken Strömen.
- Reinigung: Benutzen Sie niemals Verdünnung von Farben oder ähnliches. Um das Gerät zu säubern benutzen Sie bitte handelsüblichen Reinigungsalkohol.
- Keine nutzbaren Teile für den Anwender.
 - Nach Bedarf kann die Ausgangsbaugruppe ausgewechselt werden.
- Die Lebensdauer des Ausgangsrelais variiert mit der Schalthäufigkeit und den Schalleigenschaften. Bitte wählen Sie das entsprechende Produkt, das der jeweiligen Last und der elektrischen Lebensdauer Ihren Anforderungen entspricht. Wenn das Relais nicht den elektrischen Werten und Einsatzbedingungen entspricht, werden die Relais-Kontakte unter Umständen beschädigt oder zerstört und es besteht Feuergefahr.
- Schalten Sie immer Regler und Last gleichzeitig ein.
 - Schalten Sie niemals den Regler vor der Last ein, ansonsten ist die Selbst-Anpassung und -Optimierung nicht funktionstüchtig.
 - Wenn Sie z.B. die Reglerparameter ohne eingeschaltete Last eingestellt haben, dann schalten Sie danach den Regler kurz aus und zusammen mit der Last wieder ein. Oder schalten Sie den Ereigniseingang 2 (EV2) von STOP nach RUN um (kurzschließen).

Les éléments ci-après sont importants pour la sécurité.

Prétez-y attention.

- Ne pas utiliser ce produit en présence de gaz inflammables ou d'explosifs.
- Ne pas démonter, réparer ou modifier le produit. Retourner le produit à votre représentant OMRON pour toute réparation.
- Couple de serrage des vis de l'ordre de 0.74 Nm (75 kgf·cm).
- Utiliser les broches de taille spécifiée pour le câblage.
- Utiliser le produit sous l'alimentation spécifiée.
- Utiliser le produit sous la charge indiquée.
- Si vous enlevez le régulateur de son étui, ne jamais toucher les pièces électroniques à l'intérieur et ne pas les soumettre à des chocs.
- Ne pas recouvrir le régulateur.
- Ne pas utiliser le régulateur dans les endroits suivants:
 - Endroits exposés au gel, à la condensation, à la poussière ou à des gaz corrosifs (en particulier du gaz sulfure ou ammoniac).
 - Endroits soumis à des vibrations ou des chocs importants.
 - Endroits risquant d'être éclaboussés d'eau ou atmosphère imprégnée de corps gras.
 - Endroits exposés à des variations de température importantes.
 - Endroits exposés à la chaleur d'un fourneau.
- Vérifier le bon raccordement et respecter les polarités.
- Éviter un câblage à proximité de câbles véhiculant des courants forts.
- Nettoyage: Ne pas utiliser de solvant pour peinture ou Equivqlent. Utiliser de l'alcool pour nettoyer le produit.
- Parties non utilisables par l'utilisateur.
 - Cependant, l'unité de sortie peut être remplacée.
- La durée de vie du relais dépend des conditions et de la capacité de commutation. Utilisez ce produit à sa charge nominale, et en tenant compte de la durée de vie électrique des opérations. Si les précédentes valeurs sont dépassées, les contacts du relais peuvent coller, et une possibilité de feu peut en survenir.
- Ne mettre le régulateur sous tension que si la charge l'est déjà. Ne jamais mettre le régulateur sous tension avant ! Il en résulterait un calcul défectueux des paramètres PID. Par exemple, une fois les paramètres de régulation rentrés mais avec la charge hors tension, il faut impérativement couper l'alimentation, alimenter la charge, puis réalimenter le régulateur. Ou, basculer l'entrée 2 (événement) de STOP à RUN.

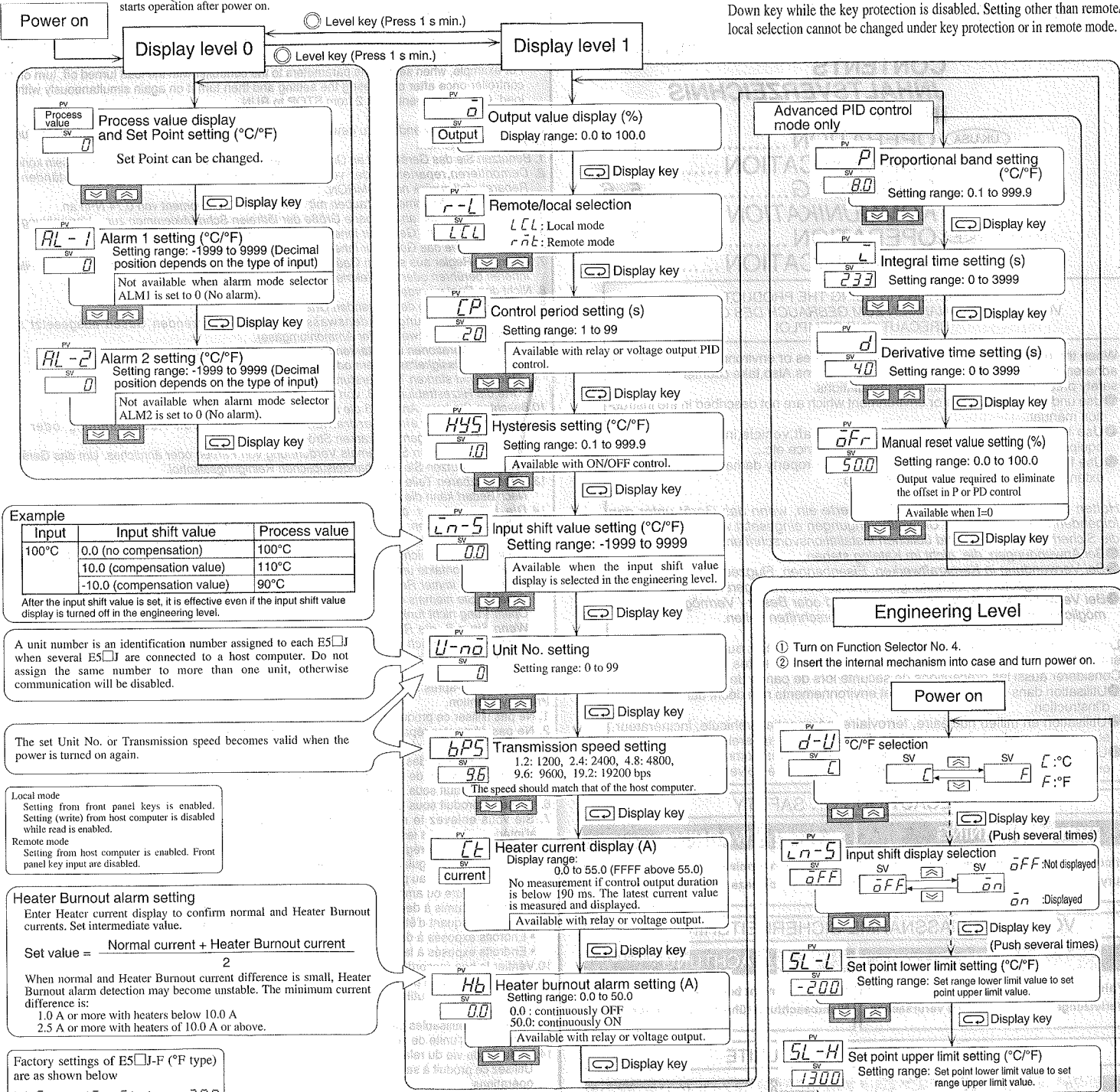
NAMES OF RESPECTIVE PARTS



MAIN SPECIFICATIONS	
- Supply voltage :	100 to 240VAC(-15% to +10%), 50 or 60Hz 24VAC/DC (-15% to +10%), 50 or 60Hz
- Power consumption :	14 VA (at 100 to 240 VAC) 10VA (at 24VAC) 6W (at 24VDC)
- Input :	Thermocouple, platinum resistance thermometer
- Control output :	According to output unit
- Alarm output :	1a 250 VAC, 3A (resistive load)
- Control method :	ON/OFF or PID control
- Ambient temperature :	-10 to 55°C
- Ambient humidity :	35 to 85%
- Storage temperature :	-25 to 65°C
- Weight :	Approx. 280 g
- Setup environment :	(Conforming to IEC 1010-1) Installation category II, Pollution degree 2.
- Altitude :	2000m max.
- Recommended fuse :	T2A, 250VAC, Time-lag, Low-breaking capacity

OPERATION

Factory settings are shown below.
The controller requires approx. 5 s until it starts operation after power on.



The below means that the set values can be changed by Up/Down key while the key protection is disabled. Setting other than remote/local selection cannot be changed under key protection or in remote mode.

Example

Input	Input shift value	Process value
100°C	0.0 (no compensation)	100°C
	10.0 (compensation value)	110°C
	-10.0 (compensation value)	90°C

After the input shift value is set, it is effective even if the input shift value display is turned off in the engineering level.

A unit number is an identification number assigned to each E5EJ when several E5EJ are connected to a host computer. Do not assign the same number to more than one unit, otherwise communication will be disabled.

The set Unit No. or Transmission speed becomes valid when the power is turned on again.

Local mode
Setting from front panel keys is enabled. Setting (write) from host computer is disabled while read is enabled.

Remote mode
Setting from host computer is enabled. Front panel key input are disabled.

Heater Burnout alarm setting
Enter Heater current display to confirm normal and Heater Burnout currents. Set intermediate value.

Set value = $\frac{\text{Normal current} + \text{Heater Burnout current}}{2}$

When normal and Heater Burnout current difference is small, Heater Burnout alarm detection may become unstable. The minimum current difference is:
1.0 A or more with heaters below 10.0 A
2.5 A or more with heaters of 10.0 A or above.

Factory settings of E5EJ-F (°F type) are as shown below

HYS	18	SL-L	300
P	144	SL-H	2300
d-U	F		

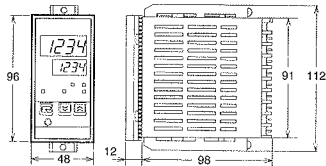
OTHER FUNCTIONS

Alarm hysteresis, Automatic return of display mode Communication specification change (Character length, parity, stop bits) are provided in the engineering level. For details, ask your OMRON dealer for E5EJ OPERATION MANUAL.

③ Turn power OFF after 2 seconds min. or push display key after setting.

INSTALLATION

External Dimensions (mm)

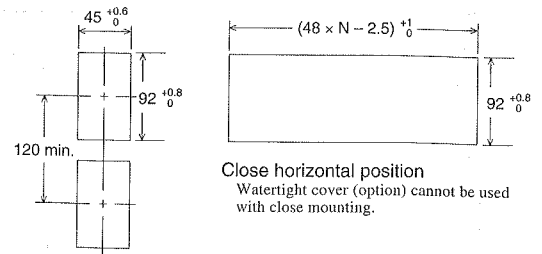


Terminal screws : M3.5 x 8

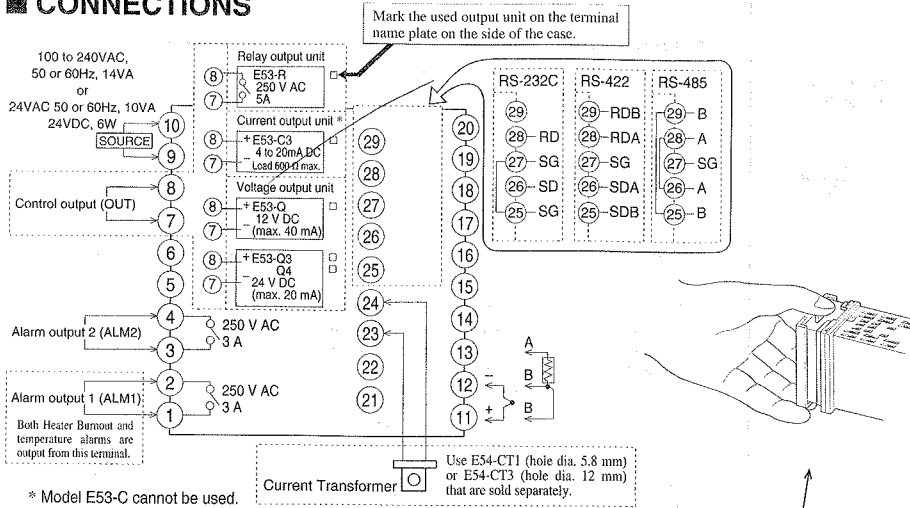
Notes:

- Attach the two mounting brackets supplied as accessories to the top and bottom of the temperature controller, and secure them using Phillips screwdriver. Turn the mounting screws clockwise until the brackets click into place.
- Do not cover the air slits on the rear case.

Panel cutout

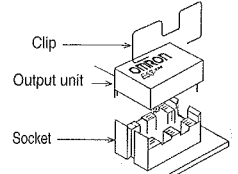


CONNECTIONS



Output unit installation

Select the output unit best suited to your application. Insert the output unit in the socket. Be sure to secure the output unit with the provided clip.



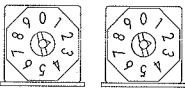
When current output unit (E53-C3) is used for control output, Heater Burnout Alarm is disabled.

- In addition to those shown, the following linear output units are available. 0 to 5 VDC (1 kΩ min.), 0 to 10 VDC (1 kΩ min.), and 0 to 20 mA DC (600 Ω max.).

For E5EJ type, input and output terminals have basic insulation from power supply terminals. Connect the input and output terminals to any device that has no live parts that are accessible. Connect the input and output terminals to any device that has basic insulation for 250 VAC.

SWITCH SETTINGS

Press the hook at the bottom of front panel and draw out the internal mechanism from the case. Do not touch the internal terminals. If the terminals are deformed, the case will not fit any more.

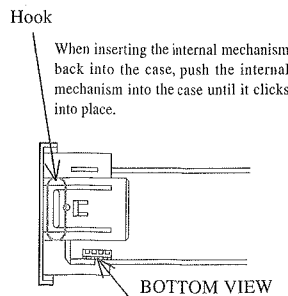


ALM2 ALM1 Alarm mode selector 1/2

No.	Alarm mode	Alarm output operation	
		$X \geq 0$	$X < 0$
0	No alarm	Output OFF	
1	Upper and lower limit alarm	ON	Continuously ON
2	Upper limit alarm	ON	Continuously ON
3	Lower limit alarm	ON	Continuously ON
4	Upper and lower limit range alarm	ON	Continuously OFF
5	Upper and lower limit alarm with standby sequence	ON	Continuously OFF
6	Upper limit alarm with standby sequence	ON	Continuously OFF
7	Lower limit alarm with standby sequence	ON	Continuously OFF
8	Absolute value upper limit alarm	ON	Continuously OFF
9	Absolute value lower limit alarm	ON	Continuously OFF

TERMINATOR

Terminator switch
The unit placed at the end of the communication line must be specified as terminator using this switch. Turn on the switch to specify as terminator. The switch is factory set to off. This selector is not provided for the RS-232C model.



INPUT

Input type selector

No.	Input type	Setting range	
		°C	°F
0 (8)	JPt100	-199.9 to 650.0	-199.9 to 999.9
1 (9)	Pt100	-199.9 to 650.0	-199.9 to 999.9
2	K	-200 to 1300	-300 to 2300
3	J	-100 to 850	-100 to 1500
4	T	-199.9 to 400.0	-199.9 to 700.0
5	L	-100 to 850	-100 to 1500
6	U	-199.9 to 400.0	-199.9 to 700.0
7	N	-200 to 1300	-300 to 2300

JPt100: 139.16 Ω at 100 °C
Pt100: 138.50 Ω at 100 °C

PROTECT

Key protection switch

Mode	Disabled keys
ALL	The Level, Down and Up keys are not valid. Prohibits all set value changes.
OFF	All keys (Level, Display, Down and Up keys) are valid. No key protection is valid.
SP	The Level, Down and Up keys are not valid. However, the Down and Up keys are only valid for Set Point setting. Prohibits set value changes except the Set Point.

FUNCTION

Function Selector



	No.				
		1	2	3	4
Output operation	Normal (cool)	ON			
	Reverse (heat)	OFF			
Control mode	ON/OFF		ON	*	
	Advance PID		OFF	ON	
Level	Advanced PID with fuzzy self-tuning		OFF	OFF	
	Engineering level				ON
Factory setting	Normal operation				OFF
		OFF	OFF	OFF	OFF

* ON or OFF: ON/OFF control when No.2 is turned on, regardless of No. 3 setting.

TROUBLESHOOTING

PV Display	Error	Output status		Cause
		Control output	Alarm output	
SErr	Abnormal input	OFF (2mA max.)	Operates as above the upper limit.	① Input is outside the control range (±10% of the setting range) * ② Input type setting is incorrect. ③ Input wiring is incorrect, disconnected, or short-circuited.
E111	Abnormal memory	OFF (2mA max.)	OFF	Turn power off and then on again. If the display does not recover, the controller needs repairing. If the display recovers, check for noise interference.
E333	Abnormal A/D converter	OFF (2mA max.)	OFF	
RErr	Abnormal calibration data Displayed for 2 s at power on.	Normal (Accuracy not guaranteed)		Re-calibration at OMRON factory is required.

* If the input value exceeds the display limit (-1999 to 9999), though it is within the control range, ccc will be displayed under -1999 and ddd above 9999. Under these conditions, control output and alarm output will operate normally.

■ In specific applications where temperature varies periodically due to disturbance, internal parameters need to be adjusted. For details, refer to E5 J OPERATION MANUAL.

■ Terminal cover E53-COV03 (conforming to VDE0106/P100) is provided as an option.

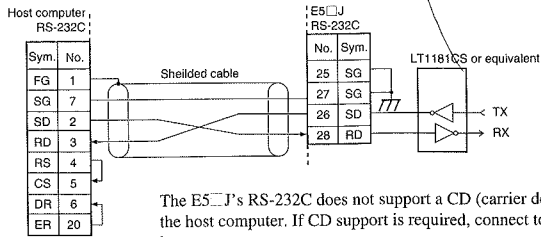
■ Communications Interfaces

RS-232C Interface

Electrical characteristics: Conforms to EIA RS-232C

Transmission length: 15 m max.
Connections: 1: 1 only.

Signal name	Symbol	Direction	Terminal No.
Signal ground	SG	—	25,27
Send data	SD	Output	26
Receive data	RD	Input	28



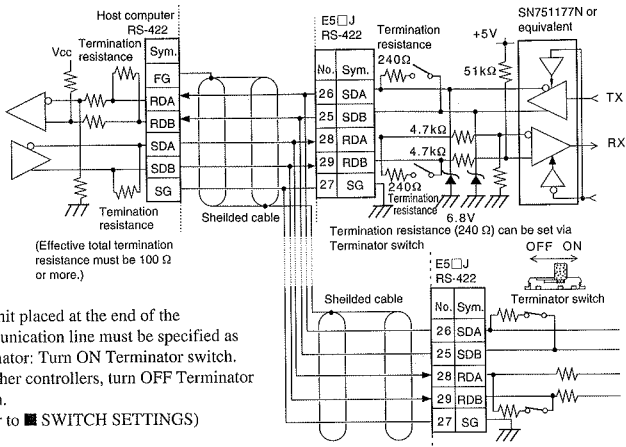
The E5J's RS-232C does not support a CD (carrier detect) signal from the host computer. If CD support is required, connect to 12 V DC at the host computer.

RS-422 Interface

Electrical characteristics:

Conforms to EIA RS-422
Transmission length: 500m total max.
Connections: multipoint (Up to 32)

Signal name	Symbol	Direction	Terminal No.
Send data A	SDA	Output	26
Send data B	SDB	Output	25
Receive data A	RDA	Input	28
Receive data B	RDB	Input	29
Signal ground	SG	—	27



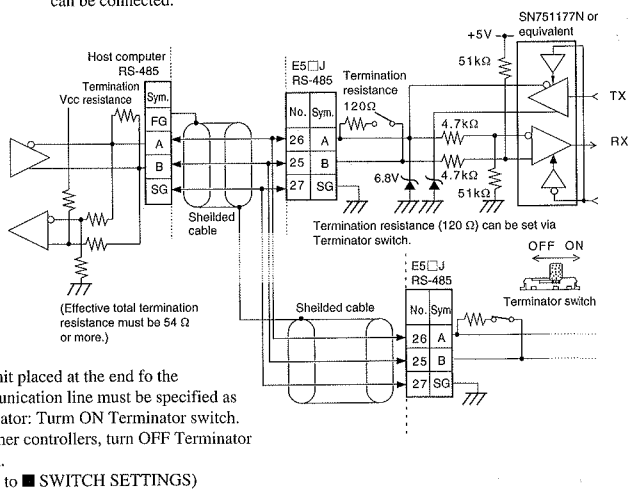
The unit placed at the end of the communication line must be specified as terminator: Turn ON Terminator switch. For other controllers, turn OFF Terminator switch. (Refer to ■ SWITCH SETTINGS)

RS-485 Interface

Electrical characteristics:

Conforms to EIA RS-485
Transmission length: 500 m total max.
Connections: 32 units (including the host) can be connected.

Signal name	Symbol	Direction	Terminal No.
Terminal A	A	Input/Output	26,28
Terminal B	B	Input/Output	25,29
Signal ground	SG	—	27



The unit placed at the end of the communication line must be specified as terminator: Turn ON Terminator switch. For other controllers, turn OFF Terminator switch. (Refer to ■ SWITCH SETTINGS)

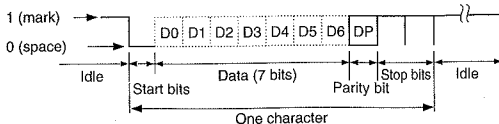
■ Specifications of Communication

Transmission method: Half duplex
Synchronization: start-stop (asynchronous)
Transmission speed: 1200/2400/4800/9600/19200 bps (can be set in display level 1)
Error detection: Vertical parity and FCS
Character length: 7-bit ASCII
Stop bits: 2
Parity check: Even
Interface: RS-232C, RS-422, RS-485

Signal Identification

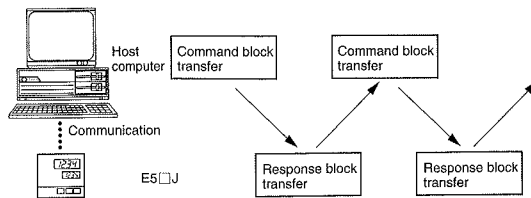
Signal voltage at the terminals can be identified as follows:

Interface	Signal Voltage	Data Signal
RS-232C	High level	0 (space)
	Low level	1 (mark)
RS-422	SDA > SDB	0 (space)
	SDA < SDB	1 (mark)
RS-485	A > B	0 (space)
	A < B	1 (mark)



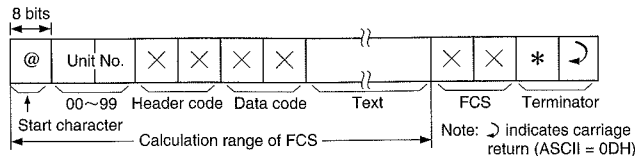
■ Communications Procedure

The communications procedure of E5J is command-response based. Communication is started from the host computer. After the host computer has transmitted one command block to the controller, the controller can transmit a response block to the host computer. In this manner, the host computer and controller can alternately transmit data to each other.

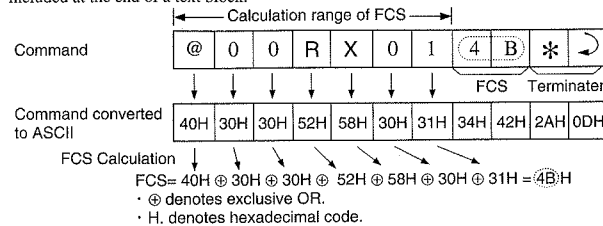


■ Block Format

The block transmitted by the host computer is called a command block. The block returned by E5J is called a response block. Each block begins with a start character "@", and the unit number of E5J, and ends with an FCS and a terminator.



The frame check sequence (FCS) is calculated as the exclusive OR of all characters from the start character through the last character in text. The resulting 8-bit value is converted to ASCII for transmission as the FCS. FCS is necessary for error detection and must therefore be always included at the end of a text block.



■ Header Code List

Header code	Data code	Name	Remote mode	Local mode	Note
ME	01	Backup mode select	○	○	
MA	01	RAM write mode select	○	○	
MW	01	Set Point save	○	○	
MB	01	Remote/Local mode select	○	○	
WS	01	Set Point write	○	○	
W%	01	Alarm 1 set value write	○	○	Note 1
W%	02	Alarm 2 set value write	○	○	Note 1
WW	01	Heater Burnout alarm write	○	○	
WB	01	Proportional band write	○	○	Note 1, Note 2
WN	01	Integral time write	○	○	Note 1, Note 2
WV	01	Derivative time write	○	○	Note 1, Note 2
WI	01	Input shift value write	○	○	Note 3
RS	01	Set Point read	○	○	
R%	01	Alarm 1 set value read	○	○	
R%	02	Alarm 2 set value read	○	○	
RW	01	Heater Burnout alarm read	○	○	
RB	01	Proportional band read	○	○	Note 2
RN	01	Integral time read	○	○	Note 2
RV	01	Derivative time read	○	○	Note 2
RI	01	Input shift value read	○	○	Note 3
RX	01	Process value read	○	○	
RO	01	Output variable read	○	○	
RZ	01	Heater current read	○	○	
RU	01	Initial status read	○	○	
IC	01	Undefined error	○	○	Note 4

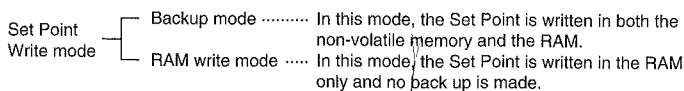
Notes:

- These commands are invalid while the controller is in local mode. If these commands are transmitted to the controller at this time, the controller returns the end code "0D" (command execution impossible) to the host computer.
- In ON/OFF or Advanced PID with fuzzy self-tuning control, undefined error "IC" is returned for this command.
- Input shift value write/read commands are effective by turning ON the input shift value display on the engineering level.
- This response is returned for undefined header code or read/write for parameter not displayed in display level 0/1.

■ Precautions

- When reading or writing numeric data, which must be 4 digits long, carefully determine the decimal position of the data, especially for the following data:
 - Output variable, Heater Burnout alarm, Heater current, and Proportional band
 - Process value, Set Point, Alarm (Input type JPt100, Pt100, T, or U)
 Example: When the output variable is 50.0% → "0500"
When the set point is -15.0°C → "F015"
When the set point is -150.0°C with Pt100 sensor used → "A500"
- When the host computer has sent a command block to the controller, the controller always returns a response block. Check and process the contents of the response block at the host computer side.
- If an error such as abnormal input, abnormal A/D converter has occurred in the controller, the overall system cannot operate correctly. Therefore, be sure to program the host computer so that it always checks the status data of response block from the controller.
- If a communication error, which is considered to have been caused by noise, has occurred, repeat the same communication process for more than 10 times, until a recovery is made.
- Note that unexplained bits in the status data of response format stand for unfixated data.

■ Selecting the Set Point Write mode



Non-volatile memory overwrite life is limited to about 100,000 times. Select RAM write mode when the set values are frequently changed.

① Backup mode

This mode is suitable for applications where the Set Point will not be frequently changed (e.g. several times a day).

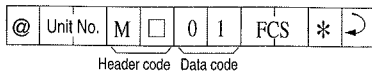
② RAM write mode

This mode is suitable for applications where the Set Point will be frequently changed. The Set Point written in this mode is not written in the non-volatile memory. When the mode is changed from "RAM write" to "Backup", the Set Point is not written to the non-volatile memory. Perform "Set Point save" command to write the RAM data into non-volatile memory as necessary.

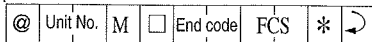
Remote/local mode and Set Point Write mode

- The Write mode will not be changed even when the mode is changed between the remote and the local modes.
- When the remote mode is changed to the local mode, the Set Point in the RAM will automatically be transferred to the non-volatile memory.
- In the local mode, the Set Point will be written in the non-volatile memory regardless of the write mode.

Command Format



Response Format

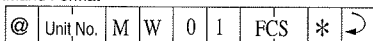


- End code 00: normal
- End code other than 00: command processing impossible

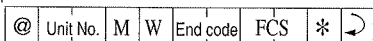
■ Set Point Save

The E5-J will transfer the Set Point data in the RAM to the non-volatile memory by this command otherwise the Set Point written to the RAM in the RAM write mode will be cleared when power is turned OFF.

Command Format



Response Format

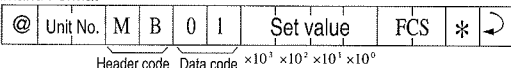


- End code 00: normal
- End code other than 00: command processing impossible

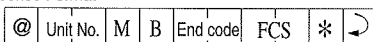
■ Remote/Local Mode Selection

Select remote or local mode.

Command Format



Response Format

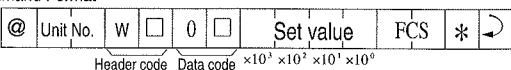


- End code 00: normal
- End code other than 00: command processing impossible

■ Set Value Write Command

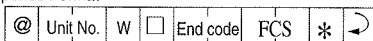
(Set Point, Alarm, Heater Burnout alarm, Proportional band, Integral time, Derivative time, Input shift value)

Command Format



- Decimals must be taken into account for writing set values in the unit of 0.1
- For negative values, $\times 10^3$ becomes "F" or "A".
(example: $-15^\circ\text{C} \rightarrow \text{F015}$, $-150.0^\circ\text{C} \rightarrow \text{A500}$)
- For the header code and the data code refer to ■ Header Code List.

Response Format

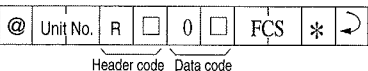


- End code 00: normal
- End code other than 00: command processing impossible

■ Set Value and Output variable Read Commands

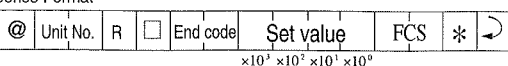
(Set Point, Alarm, Heater Burnout alarm, Proportional band, Integral time, Derivative time, Input shift value, Output variable)

Command Format



For the header code and the data code refer to ■ Header Code List.

Response Format

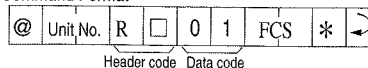


- End code 00: normal
- End code other than 00: command processing impossible
- For the decimal position of the data and negative data, refer to ■ Precaution.

■ Process Value and Heater Current Read Commands

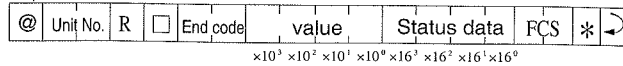
Read the value and status data.

Command Format

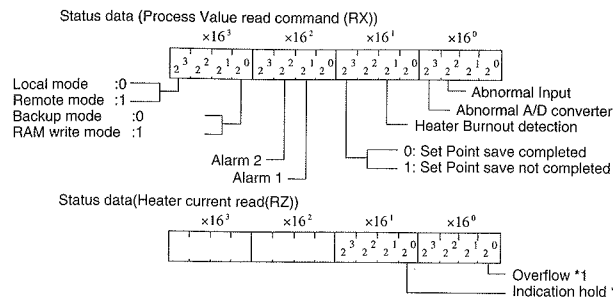


For the header code and the data code, refer to ■ Header Code List.

Response Format



- End code 00: normal
- End code other than 00: command processing impossible
- For the decimal position of the data and negative data, refer to ■ Precaution

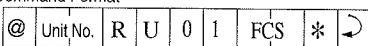


- *1 "1" will be set when heater current exceeds 55.0 A. (In this case, heater current 55.0 is read)
- *2 "1" will be set when the ON time of the control output is less than 190 ms and the previous heater current will be retained.

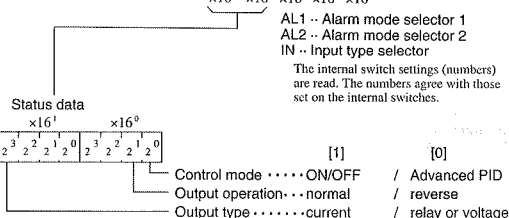
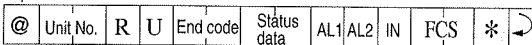
■ Initial Status Read Command

Checks the initial settings of the internal switches of the controller.

Command Format



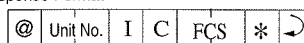
Response Format



■ Undefined Error

- Returned in response for unrecognizable command.

Response Format



■ End Code

End code	Name	Meaning
0 0	Normal completion	The command was processed correctly.
0 D	Command execution impossible	When the received command cannot be executed in current situation.
1 0	Parity error	The parity bit was incorrect.
1 1	Framing error	The stop bits were not detected.
1 2	Overflow error	The reception buffer has overflowed.
1 3	FCS error	The FCS value was incorrect.
1 4	Format error	The length of command was incorrect.
1 5	Data error	Data or data code was not within specified limits.
2 1	Error status	Command execution is not possible because an error has occurred in the controller.

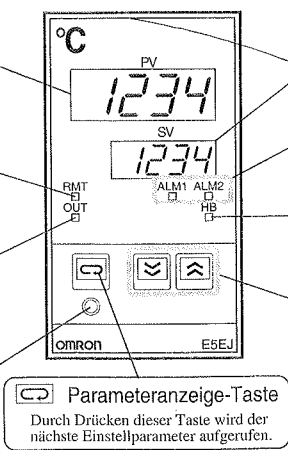
Priority

Undefined>Parity>Framing>Overflow>FCS>Format>Command execution impossible>Error status>Data

Unit No. discrepancy (No response)

Anzeige- und Bedienelemente

- PV Istwert-Anzeige**
Anzeige des Istwertes und der Bezeichnung des auf der SV-Anzeige dargestellten Parameters, sowie die Darstellung von Fehlermeldungen.
- RMT RMT-Anzeige**
Leuchtet, wenn der Regler im Remote-Modus betrieben wird.
- OUT Ausgangs-LED**
Leuchtet bei aktivem Reglerausgang. Bei einem Stromausgang leuchtet die OUT-LED jedoch nicht.
- Einstellebenen-Taster**
Durch Drücken dieser Taste für mindestens eine Sekunde können Sie, zur Einstellung verschiedener Parametergruppen, eine andere Einstellenebene aufrufen.



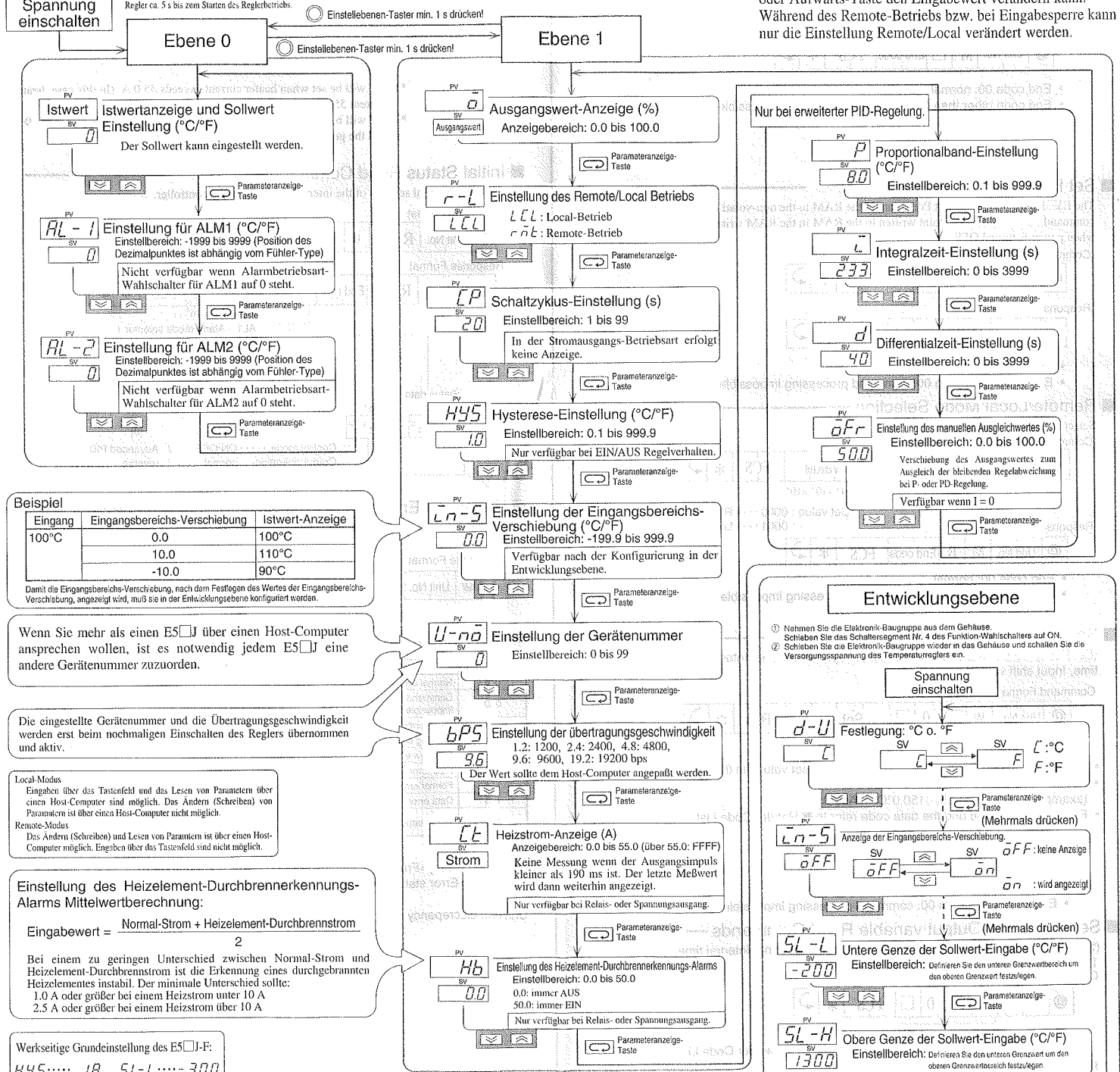
- SV: Sollwert-Anzeige**
Anzeige des Sollwertes und der Ausgangsgröße, sowie des Inhalts der einzelnen Einstellparameter.
- ALM1- und ALM2-LED**
ALM1 bzw. ALM2 leuchtet bei aktiviertem Alarmausgang 1 bzw. Alarmausgang 2.
- HB-LED**
HB leuchtet, wenn ein durchgebranntes Heizelement erkannt wird und erlischt erst nach dem Rücksetzen.
- Abwärts-Taste, Aufwärts-Taste**
Durch Drücken dieser Tasten wird der auf der Sollwert-Anzeige dargestellte Wert inkrementiert bzw. dekrementiert. Um einen Wert kontinuierlich zu verändern, muß eine der Tasten für mindestens eine Sekunde gedrückt werden. Der veränderte Wert wird automatisch nach zwei Sekunden bzw. unmittelbar nach dem Drücken der Parameteranzeige- oder Einstellebenen-Taste übernommen.
- Parameteranzeige-Taste**
Durch Drücken dieser Taste wird der nächste Einstellparameter aufgerufen.

WICHTIGSTE TECHNISCHE DATEN

- Betriebsspannung : 100 bis 240VAC (-15% bis +10%) , 50 oder 60 Hz
- 24VAC/DC (-15% bis +10%), 50 oder 60 Hz
- Leistungsaufnahme : 14VA (100 bis 240 VAC) 10VA (24VAC) 6W (24VDC)
- Eingänge : Thermokoppler, Widerstandsthermometer
- Steuerausgang : Je nach Ausgabeinheit
- Alarmausgang : 1a 250VAC Wechselstrom, 3 A (Widerstandslast)
- Steuermethode : EIN/AUS oder PID-Steuerung
- Betriebstemperatur : -10 bis 55°C
- Betriebsluftfeuchtigkeit : 35 bis 85%
- Lagertemperatur : -25 bis 65°C
- Gewicht : Ca. 280 g
- Vorbereitungs Umgebung (entsprechend IEC 1010-1) Installationsklasse II, Verschmutzungsgrad 2
- Höhe : 2000m max.
- Empfohlene Sicherung : T2A, 250VAC, Träge, Niedrige Abschaltkapazität

Parametereingabe

Ab dem Einschalten der Versorgungsspannung benötigt der Regler ca. 5 s bis zum Starten des Reglerbetriebs.



Die Zeichen bedeuten, das man mit der Abwärts- oder Aufwärts-Taste den Eingabewert verändern kann. Während des Remote-Betriebs bzw. bei Eingabesperre kann nur die Einstellung Remote/Local verändert werden.

Beispiel

Eingang	Eingangsbereichs-Verschiebung	Istwert-Anzeige
100°C	0.0	100°C
	10.0	110°C
	-10.0	90°C

Damit die Eingangsbereichs-Verschiebung, nach dem Festlegen des Wertes der Eingangsbereichs-Verschiebung, angezeigt wird, muß sie in der Entwicklungsebene konfiguriert werden.

Wenn Sie mehr als einen E5EJ über einen Host-Computer ansprechen wollen, ist es notwendig jedem E5EJ eine andere Gerätenummer zuzuordnen.

Die eingestellte Gerätenummer und die Übertragungsgeschwindigkeit werden erst beim nochmaligen Einschalten des Reglers übernommen und aktiv.

Local-Modus
Eingaben über das Tastenfeld und das Lesen von Parametern über einen Host-Computer sind möglich. Das Ändern (Schreiben) von Parametern ist über einen Host-Computer nicht möglich.
Remote-Modus
Das Ändern (Schreiben) und Lesen von Parametern ist über einen Host-Computer möglich. Eingaben über das Tastenfeld sind nicht möglich.

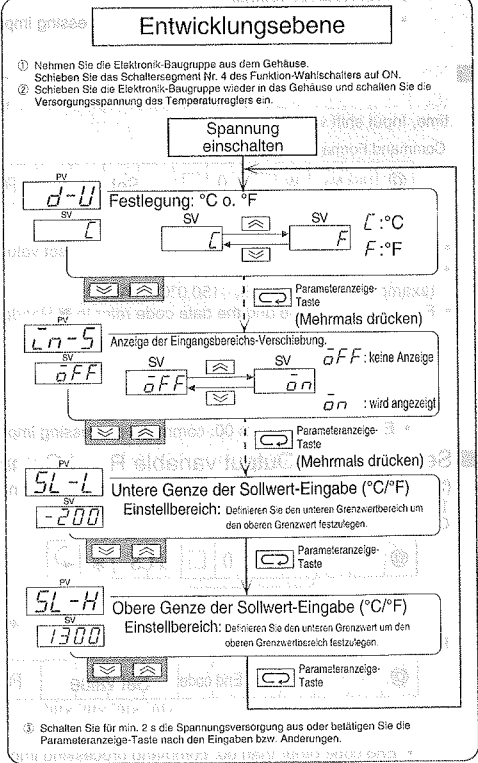
Einstellung des Heizelement-Durchbrennerkennungs-Alarms Mittelwertberechnung:
Eingabewert = $\frac{\text{Normal-Strom} + \text{Heizelement-Durchbrennerstrom}}{2}$
Bei einem zu geringen Unterschied zwischen Normal-Strom und Heizelement-Durchbrennerstrom ist die Erkennung eines durchgebrannten Heizelementes instabil. Der minimale Unterschied sollte:
1.0 A oder größer bei einem Heizstrom unter 10 A
2.5 A oder größer bei einem Heizstrom über 10 A

Werkseitige Grundeinstellung des E5EJ-F:

H95.....18 SL-L.....300
P.....144 SL-H.....2300
d-U.....F

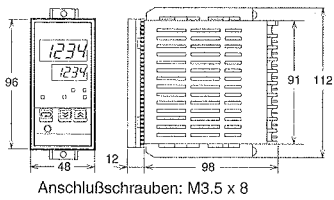
Weitere Funktionen

Einstellung der Alarm-Hysterese, die auto-matische Rückkehr in den Anzeige-Modus und die Änderung der Übertragungsparameter (Länge, Parität etc.) sind in der Entwicklungsebene vorbereitet. Sprechen Sie für weitere Informationen Ihr Omron Vertriebsbüro auf das E5EJ Bedienerhandbuch an.



Abmessungen

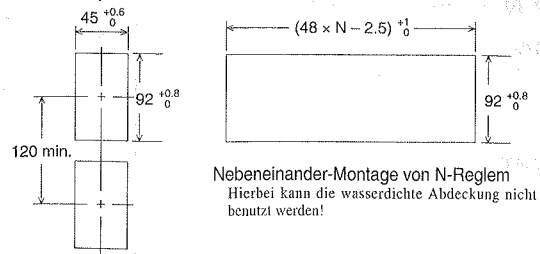
• Außenmaße (mm)



Hinweise:

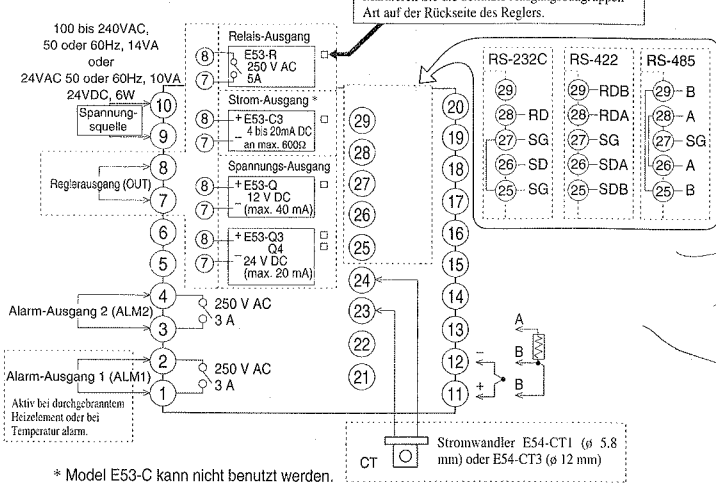
- Zusammen mit dem Regler werden zwei Montagehalterungen geliefert. Montieren Sie die eine auf der Oberseite und die andere auf der Unterseite des Reglers. Drehen Sie die Sperren der Montagehalterung mit einem Kreuzschraubendreher im Uhrzeigersinn bis sie einschnappen.
- Nicht die Luftschlitze auf der Rückseite verschließen.

• Frontplattenausschnitt



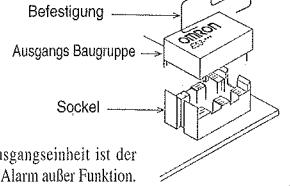
Nebeneinander-Montage von N-Reglern
Hierbei kann die wasserdichte Abdeckung nicht benutzt werden!

Anschlüsse



Installierung der Ausgangseinheit

Wählen Sie für Ihre Anwendung eine Ausgangseinheit aus. Stecken Sie die Ausgangseinheit in den dafür vorgesehenen Sockel und sichern Sie die Ausgangseinheit mit dem Metallbügel.



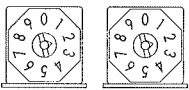
Bei der Benutzung einer Strom-Ausgangseinheit ist der Heizelement-Durchbrennerkennungs-Alarm außer Funktion.

- Zusätzlich wie oben gezeigt, sind die folgenden linearen Ausgangsbaugruppen lieferbar.
0 bis 5 VDC (1 kΩ min.), 0 bis 10 VDC (1 kΩ min.) und
0 bis 20 mA DC (600 Ω max.)

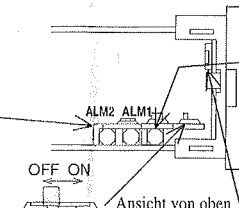
Für den Typ E5EJ gilt: Eingangs- und Ausgangsklemmen haben eine Grundisolation gegenüber den Netzklemmen. Verbinden Sie die Eingangs- und Ausgangsklemmen mit irgendeinem Bauelement, das keine Spannungsführenden Teile hat, die leicht zugänglich sind. Verbinden Sie die Eingangs- und Ausgangsklemmen mit einem Gerät, das eine Grundisolation für 250 VAC hat.

Schaltereinstellungen

Drücken Sie die Sperre auf der Unterseite der Frontplatte und ziehen Sie die Elektronik-Baugruppe aus dem Gehäuse heraus.



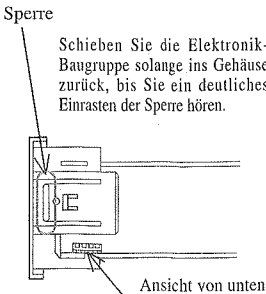
Schalt-einstellung	Alarmbetrieb	Alarmausgang	
		X = positiver Wert	X = negativer Wert
0	Kein Alarm	AUS (OFF)	
1	Oberer und unterer Grenzwert-Alarm (Regelabweichung)	ON OFF Sollwert	Immer EIN (ON)
2	Oberer Grenzwert-Alarm (Regelabweichung)	Sollwert	Sollwert
3	Unterer Grenzwert-Alarm (Regelabweichung)	Sollwert	Sollwert
4	Oberer und unterer Grenzwert-Alarm (Regelabweichung)	Sollwert	Immer deaktiviert
5	Oberer und unterer Grenzwert-Alarm mit Bereitschaft (Regelabweichung)	Sollwert	Immer deaktiviert
6	Oberer Grenzwert-Alarm mit Bereitschaft (Regelabweichung)	Sollwert	Sollwert
7	Unterer Grenzwert-Alarm mit Bereitschaft (Regelabweichung)	Sollwert	Sollwert
8	Oberer Grenzwert-Alarm (Absolutwert)	0	0
9	Unterer Grenzwert-Alarm (Absolutwert)	0	0



LEITUNGSABSCHLUSS

Leitungsabschluß-Schalter

Beim letzten Gerät in der Kommunikations-Leitung muß der Leitungsabschluß-Schalter auf ON gestellt werden. Die werkseitige Einstellung für den Schalter ist OFF. Ein Leitungsabschluß ist für die RS-232C Schnittstelle nicht notwendig.



INPUT



Eingangstyp-Wahlschalter

Schalt-einstellung	Temperatur-Meßfühler-Code	Temperaturbereich	
		°C	°F
0 (8)	JPt100	-199.9 bis 650.0	-199.9 bis 999.9
1 (9)	Pt100	-199.9 bis 650.0	-199.9 bis 999.9
2	K	-200 bis 1300	-300 bis 2300
3	J	-100 bis 850	-100 bis 1500
4	T	-199.9 bis 400.0	-199.9 bis 700.0
5	L	-100 bis 850	-100 bis 1500
6	U	-199.9 bis 400.0	-199.9 bis 700.0
7	N	-200 bis 1300	-300 bis 2300

Hinweis: JPt100: 100°C/139.16 Ω
Pt100: 100°C/138.50 Ω

PROTECT

Schreibschutz-Schalter

Betriebsart	Schutz
ALL	Die Einstellenebenen- sowie die [AUFWÄRTS]- und [ABWÄRTS]-Tasten sind gesperrt. Die [AUFWÄRTS]- und [ABWÄRTS]-Tasten können jedoch nur für die Einstellung des Sollwertes eingesetzt werden. Verriegelung alle eingestellten Werte außer dem Sollwert.
OFF	Alle Tasten (Einstellenebene, Display, [AUFWÄRTS]-/ABWÄRTS)-Tasten) können verwendet werden. Kein Schreibschutz ist aktiviert.
SP	Die Einstellenebenen- sowie die [AUFWÄRTS]-/ABWÄRTS)-Tasten sind gesperrt. Alle eingestellten Werte sind schreibgeschützt.

FUNCTION

Funktions-Wahlschalter



		No.	1	2	3	4
Regel-ausgang	Normal (Kühlung)		ON			
	Reverse (Heizung)		OFF			
Regel-verhalten	EIN/AUS-Betrieb			ON	※	
	Erweiterte PID-Regelung		OFF	ON		
Eingabe-Ebene	Erweiterte PID-Regelung mit Selbstoptimierung über Fuzzy-Logic			OFF	OFF	
	Entwicklungsebene					ON
Werkseinstellung	Normale Operation					OFF
			OFF	OFF	OFF	OFF

※ Wird Segment 2 auf ON eingestellt, befindet sich der Regler, unabhängig von der Einstellung des Segments 3, im EIN/AUS-Regelbetrieb.

Fehlermeldungen

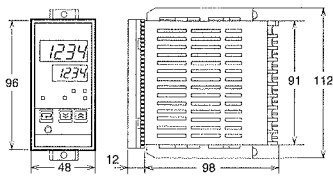
Meldung	Fehler	Fehler-Ausgangszustand		Maßnahmen zur Fehlerbeseitigung
		Regel-ausgang	Alarm-ausgang	
SErr	Eingangsfehler	AUS (max. 2mA)	AUS	① Überprüfen Sie, ob sich der Eingang außerhalb des zulässigen Regelbereiches befindet (d.h. >10% des eingestellten Temperaturbereiches - sehen Sie den Hinweis.) ② Überprüfen Sie die Engangeinstellungen. ③ Überprüfen Sie den Regler auf Verdrehungsfehler, einen durchgebrannten Heizdraht bzw. Kurzschluss.
E111	Speicherfehler	AUS (max. 2mA)	AUS	Schalten Sie den Temperaturregler aus und anschließend wieder ein. Ändert sich die Anzeige nicht, ist eine Reparatur erforderlich. Erscheint anschließend wieder die normale Anzeige, wurde der Temperaturregler möglicherweise durch Störsignale beeinflusst. Überprüfen Sie, ob Störsignale vorhanden sind.
E333	A/D-Wandler-Fehler	AUS (max. 2mA)	AUS	
RErr	Kellierdaten-Fehler (Anzeige für 2 Sekunden beim Einschalten des Temperaturreglers)	Normalbetrieb (Genauigkeit ist nicht garantiert)		Eine erneute Kalibrierung ist erforderlich.

Hinweis: Befindet sich der Eingang innerhalb des zulässigen Regelbereiches, jedoch außerhalb des zulässigen Anzeigebereiches (d.h. -1999 bis 9999), wird ----- angezeigt, wenn der Wert kleiner als -1999 ist. Ist der Wert größer als 9999, wird ----- angezeigt. Die Regel- und Alarmausgangs-Funktionen arbeiten jedoch in der normalen Weise.

- Bei extremen Temperaturstrecken kann es vorkommen, daß interne Parameter angepaßt werden müssen. Ausführliche Beschreibung entnehmen Sie dem E5...J Bedienerhandbuch.
- Als Option können Sie die Klemmenabdeckung E53-COV03 erhalten (nach VDE0106/P100).

■ INSTALLATION

• Dimensions externes (mm)

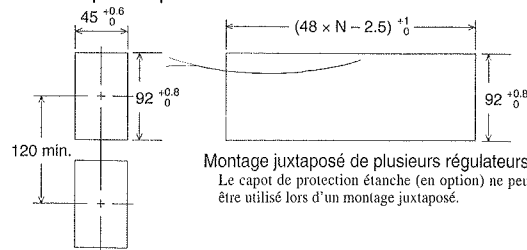


Vis du terminal: M3.5 x 8

Notes:

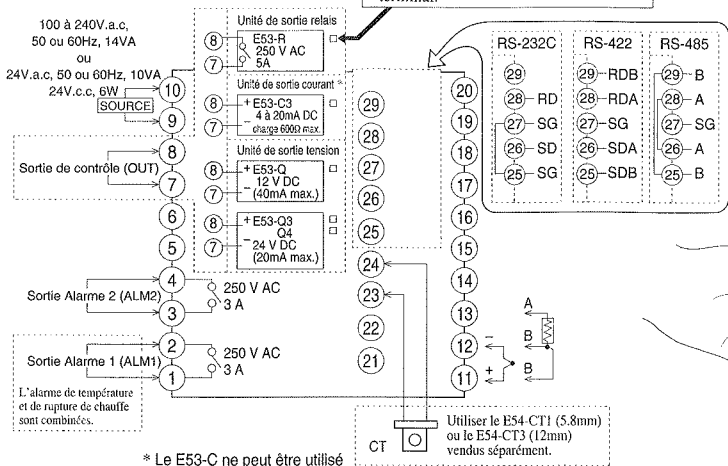
- Fixer les équerres de fixation fournies sur le haut et sur le bas du régulateur, et assurer la fixation à l'aide d'un tournevis.
- Ne pas couvrir les ouïes d'aération à l'arrière.

• Découpe du panneau



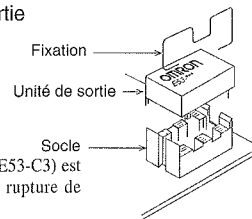
Montage juxtaposé de plusieurs régulateurs
Le capot de protection étanche (en option) ne peut être utilisé lors d'un montage juxtaposé.

■ CONNEXIONS



Installation de l'unité de sortie

Choisir l'unité de sortie correspondant à votre application. Insérer l'unité de sortie dans son logement. Assurer la fixation avec le clip fourni.



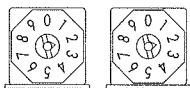
Lorsque l'unité de sortie courant (E53-C3) est utilisée, l'alarme de détection de rupture de chauffe est désactivée.

- De plus les unités de sortie linéaires suivantes sont également disponibles: 0 à 5 V.c.c (1 kΩ min), 0 à 10 V.c.c (1 kΩ min), et 0 à 20 mA c.c (600 Ω max)

Pour les modèles E5EJ, Les bornes d'entrée et de sortie ont un niveau d'isolation standard par rapport aux bornes d'alimentation. Raccorder les bornes d'entrée et de sortie à tout appareil qui n'a pas de partie conductrice accessible. Raccorder les bornes d'entrée et de sortie à un autre appareil possédant une isolation standard à 250V.c.a.

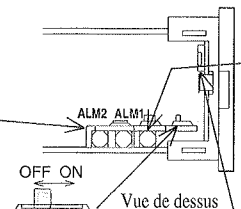
■ PARAMETRAGE DES SELECTEURS

Appuyez sur le poussoir sous le panneau frontal, et retirez le mécanisme du boîtier. Ne pas toucher aux broches internes. Si les broches sont déformées, le mécanisme ne rentrera plus dans le boîtier.



ALM2 ALM1 Alarm mode selector 1/2

N°	Mode d'alarme	Sortie alarme	
		X ≥ 0	X < 0
0	Pas d'alarme	Sortie OFF	
1	Alarme haute et basse	ON	ON en permanence
2	Alarme haute	ON	ON
3	Alarme basse	ON	ON
4	Alarme de bande	ON	OFF en permanence
5	Alarme haute et basse avec inhibition	ON	OFF en permanence
6	Alarme haute avec inhibition	ON	ON
7	Alarme basse avec inhibition	ON	ON
8	Alarme haute absolue	ON	ON
9	Alarme basse absolue	ON	ON

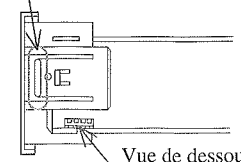


FIN DE LIGNE

Commutateur de bouclage de ligne
L'unité placée en fin de ligne de communication doit être spécifiée en utilisant ce commutateur. Le basculer sur "ON" pour spécifier la fin de ligne. En sortie d'usine, le commutateur est réglé sur "OFF". Ce commutateur n'équipe pas les modèles avec RS-232C.

Poussoir

Lors de l'insertion du mécanisme dans le boîtier, appuyer jusque'à entendre le "clic" de bonne insertion.



INPUT



Sélecteur de sonde

N°	Type de sonde	Plage de mesure	
		°C	°F
0 (8)	JPt100	-199.9 à 650.0	-199.9 à 999.9
1 (9)	Pt100	-199.9 à 650.0	-199.9 à 999.9
2	K	-200 à 1300	-300 à 2300
3	J	-100 à 850	-100 à 1500
4	T	-199.9 à 400.0	-199.9 à 700.0
5	L	-100 à 850	-100 à 1500
6	U	-199.9 à 400.0	-199.9 à 700.0
7	N	-200 à 1300	-300 à 2300

JPt100: 139.16 Ω à 100 °C
Pt100: 138.50 Ω à 100 °C

PROTECT

Réglage du niveau de protection

Mode	Touches désactivées
ALL	Les touches de Niveau, Haut et Bas sont inutilisables. Interdit toute modification.
OFF	Toutes les touches (Niveau, Bas et Haut) sont utilisables. Pas de protection de touche disponible.
SP	Les touches de Niveau, Haut et Bas sont inutilisables. Cependant, seule la consigne peut être encore modifiée grâce aux touches Haut et Bas. Interdit toute modification autre que la consigne.

FUNCTION

Sélecteur de fonction



Opération en sortie	Normal (froid)	N°			
		1	2	3	4
Normal (froid)	Normal (froid)	ON			
	Inverse (chaud)	OFF			
Tout ou rien	Tout ou rien		ON	※	
	PID avancé		OFF	ON	
Niveau	Niveau technique				ON
	Opérations normales				OFF
Paramétrages d'usine		OFF	OFF	OFF	OFF

※ On ou OFF: Contrôle Tout ou rien lorsque N°2 est à ON, quel que soit N°3.

■ ERREURS

Affichage	Erreur	sortie		Problème
		Contrôle	alarme	
SErr	Entrée non reconnue	OFF (2mA max.)	Operates as above the upper limit.	① Entrée hors plage de contrôle (±10% pleine échelle) ※ ② Sélection de sonde incorrecte ③ Connectique défectueuse
E111	Mémoire anormale	OFF (2mA max.)	OFF	Couper l'alimentation et rebrancher. Si l'affichage ne revient pas, le régulateur doit être réparé. Si l'affichage revient, vérifiez les interférences.
E333	Conversion anormale	OFF (2mA max.)	OFF	
RErr	Calibration anormale affiché 2 s à la mise sous tension	Fonctionnement normal (Précision non garantie)		Le calibration doit être effectuée à l'usine OMRON

※ Si la valeur d'entrée excède la limite d'affichage (-1999 à 9999), tout en restant dans la plage de contrôle, Eccc sera affiché en-dessous de -1999, et Eccc au-dessus de 9999. Dans ces conditions, les sorties de contrôle et d'alarmes fonctionnent normalement.

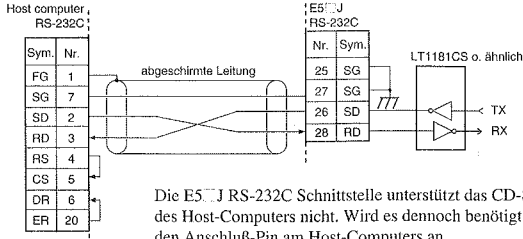
- Dans certaines applications où la température change périodiquement à cause de perturbations, certains paramètres internes ont besoin d'être ajustés. Pour plus de détails, se reporter au manuel "E5EJ OPERATION MANUAL".
- Le capot de protection arrière E53-COV03 (conforme à VDE0106/P100) est fourni en option.

Kommunikations-Schnittstelle

RS-232C Schnittstelle

Schnittstelle: entspricht EIA RS-232C.
Übertragungsdistanz: max. 15 m.
Verbindung: nur 1:1

Signalbezeichnung	Symbol	Richtung	Anschluß-Nr.
Signalmasse	SG	—	25,27
Daten Senden	SD	Ausgang	26
Daten Empfangen	RD	Eingang	28

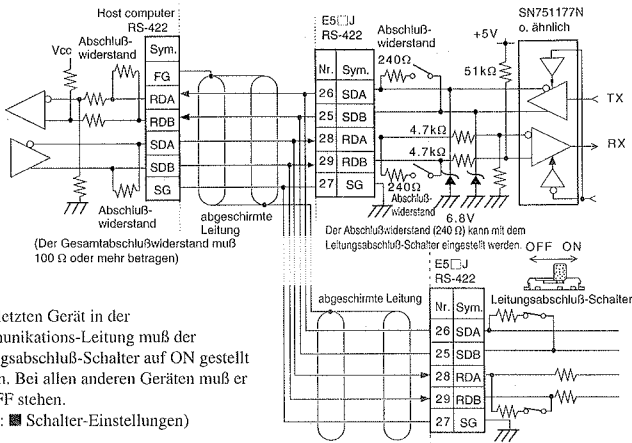


Die E5 RS-232C Schnittstelle unterstützt das CD-Signal (carrier detect) des Host-Computers nicht. Wird es dennoch benötigt, legen Sie 12V DC an den Anschluß-Pin am Host-Computers an.

RS-422 Schnittstelle

Schnittstelle: entspricht EIA RS-422.
Übertragungsdistanz: max. 500 m
Verbindung: Mehrpunkt, bis 1:32.

Signalbezeichnung	Symbol	Richtung	Anschluß-Nr.
Daten Senden A	SDA	Ausgang	26
Daten Senden B	SDB	Ausgang	25
Daten Empfangen A	RDA	Eingang	28
Daten Empfangen B	RDB	Eingang	29
Signalmasse	SG	—	27

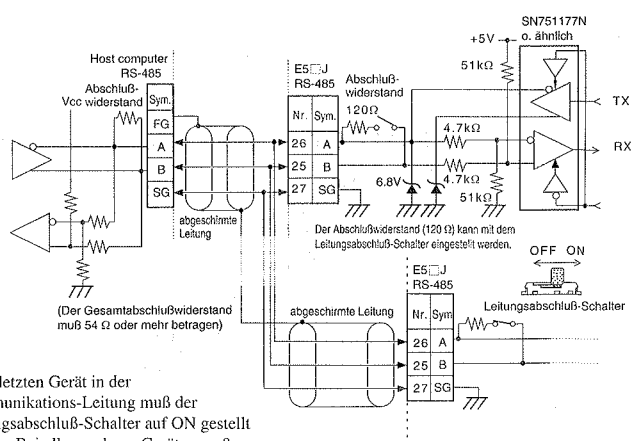


Beim letzten Gerät in der Kommunikations-Leitung muß der Leitungsabschluß-Schalter auf ON gestellt werden. Bei allen anderen Geräten muß er auf OFF stehen.
(Siehe: Schalter-Einstellungen)

RS-485 Schnittstelle

Schnittstelle: entspricht EIA RS-485
Übertragungsdistanz: max. 500 m
Verbindung: max. 32 Geräte (inkl. Host)

Signalbezeichnung	Symbol	Richtung	Anschluß-Nr.
Anschluß A	A	Ein-/Ausgang	26,28
Anschluß B	B	Ein-/Ausgang	25,29
Signalmasse	SG	—	27



Beim letzten Gerät in der Kommunikations-Leitung muß der Leitungsabschluß-Schalter auf ON gestellt werden. Bei allen anderen Geräten muß er auf OFF stehen.
(Siehe: Schalter-Einstellungen)

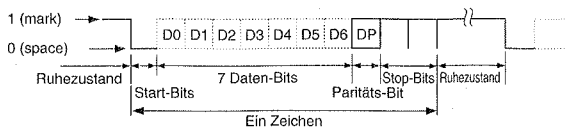
Schnittstellen-Konfiguration

Übertragungsverfahren: Halb-duplex
Synchronisation: Start-stop (asynchron)
Baud-Rate: 1200/2400/4800/9600/19200 bps
(Einstellung im Anzeige-Modus 1)
Fehlererkennung: Paritätsprüfung und FCS
Zeichenlänge: 7-Bit ASCII
Stop-Bits: 2
Parität: gerade
Schnittstellen: RS-232C, RS-422, RS-485

Signal-Erkennung

Folgende Signal-Spannungen können an den Anschlüssen gemessen werden.

Schnittstelle	Signal-Spannung	Daten-Signal
RS-232C	High level	0 (space)
	Low level	1 (mark)
RS-422	SDA > SDB	0 (space)
	SDA < SDB	1 (mark)
RS-485	A > B	0 (space)
	A < B	1 (mark)

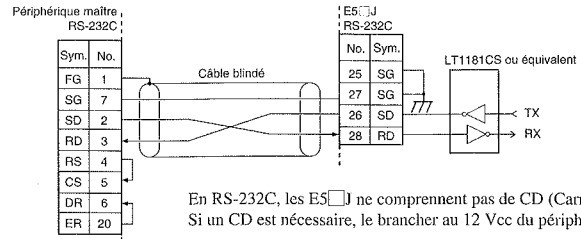


Interfaces de communication

Interfaces RS-232C

Caractéristiques électriques: Conformes EIA RS-232C
Longueur de transmission: 15 m max
Connexions: 1:1 seulement

Nom signal	Symbole	Direction	N° broche
Massé signal	SG	—	25,27
Envoi données	SD	Sortie	26
Réception données	RD	Entrée	28

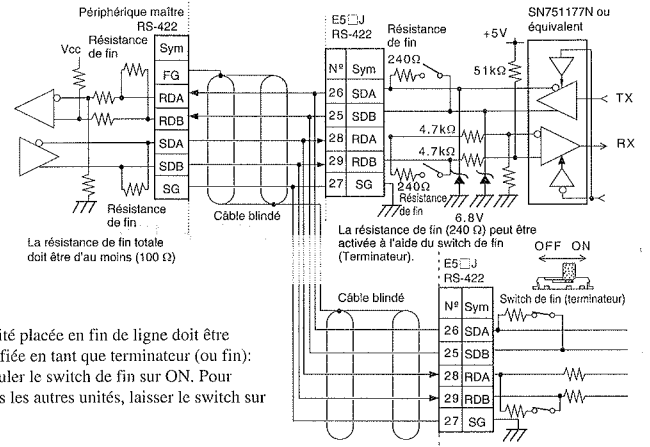


En RS-232C, les E5 ne comprennent pas de CD (Carrier Detect).
Si un CD est nécessaire, le brancher au 12 Vcc du périphérique maître.

Interface RS-422

Caractéristiques électriques:
Conformes EIA RS-422
Longueur de transmission:
500 m max en tout
Connexions: multipoints (De 1 à 32)

Nom signal	Symbole	Direction	N° broche
Envoi données A	SDA	Sortie	26
Envoi données B	SDB	Sortie	25
Réception données A	RDA	Entrée	28
Réception données B	RDB	Entrée	29
Massé signal	SG	—	27

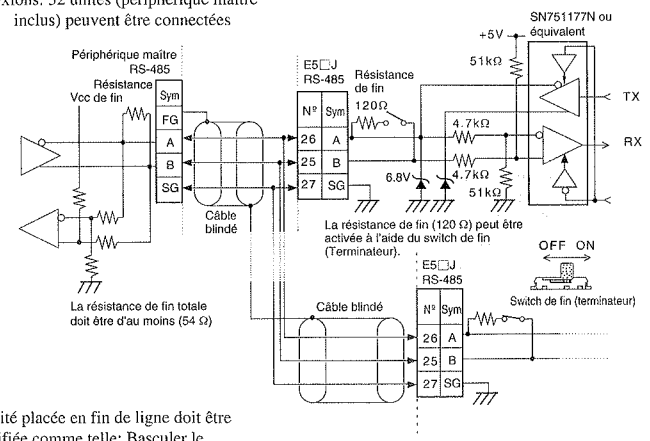


L'unité placée en fin de ligne doit être spécifiée en tant que terminateur (ou fin):
Basculer le switch de fin sur ON. Pour toutes les autres unités, laisser le switch sur OFF.

Interface RS-485

Caractéristiques électriques:
Conformes EIA RS-485
Longueur de transmission:
500 m max en tout
Connexions: 32 unités (périphérique maître inclus) peuvent être connectées

Nom signal	Symbole	Direction	N° broche
Terminal A	A	Entrée/sortie	26,28
Terminal B	B	Entrée/sortie	25,29
Massé signal	SG	—	27



L'unité placée en fin de ligne doit être spécifiée comme telle: Basculer le sélecteur sur ON. Pour les autres unités, laisser le sélecteur sur OFF.
(Se référer à REGLAGE DE SELECTEURS)

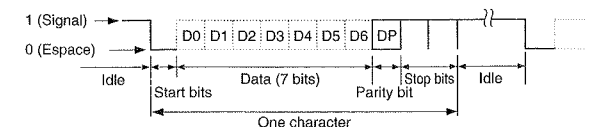
Caractéristiques de communication

Méthode de transmission: Half duplex
Synchronisation: Start-Stop (asynchrone)
Débit: 1200/2400/4800/9600/19200 bps
(réglage au niveau d'affichage 1)
Détection d'erreur: Parité verticale et FCS
Longueur des caractères: 7 bits ASCII
Bits de STOP: 2
Parité: Paire
Interfaces: RS-232C, RS-422, RS-485

Signal d'identification

La tension du signal aux broches est la suivante:

Interface	Tension signal	Signal donné
RS-232C	Niveau haut	0 (espace)
	Niveau bas	1 (signal)
RS-422	SDA > SDB	0 (espace)
	SDA < SDB	1 (signal)
RS-485	A > B	0 (espace)
	A < B	1 (signal)



形 E5EJ

OMRON

電子温度調節器 (通信機能付)

- (J) 取扱説明書
- (I) **Manuale d'istruzioni**
- (E) **Manual de instrucciones**

オムロン製品をお買い上げいただきありがとうございます。
この製品を安全に正しく使用していただくために、お使いになる前にこの取扱説明書をお読みにになり、十分にご理解してください。
お読みになった後も、いつも手元に置いてご使用ください。

La ringraziamo per la preferenza accordataci con l'acquisto di questo prodotto OMRON. Questo foglio di istruzioni descrive le precauzioni da adottare per installare e collegare l'alimentatore.

Prima di utilizzare l'alimentatore legga attentamente questo foglio di istruzioni per acquisire le informazioni necessarie ad un uso corretto e sicuro dell'alimentatore. Il presente foglio di istruzioni deve essere conservato per eventuali consultazioni future.

Gracias por adquirir este producto OMRON. Este manual describe las precauciones necesarias para instalar y cablear la fuente de alimentación. Antes de utilizar esta fuente de alimentación, lea detenidamente este manual para adquirir los conocimientos sobre el producto suficientes para utilizarlo correctamente y con seguridad.

Karasuma Nanajo, Shimogyo-ku, Kyoto 600, Japan

オムロン株式会社

OMRON Corporation

目次
INDICE
INDICE

- (J) 操作 1~2
- 通信 3~4
- (I) **FUNZIONAMENTO** 5~6
- COMUNICAZIONE** 9
- (E) **OPERACION** 7~8
- COMUNICACION** 9

ご使用に際してのお願い
PRECAUZIONI NELL'USO DEL PRODOTTO
PRECAUCIONES EN LA UTILIZACION DEL PRODUCTO

次に示す条件や環境で使用する場合は、定格、性能に対して余裕を持った使い方やフェールセーフなどの安全対策へのご配慮をいただくとともに、当社営業担当者までご相談くださるようお願いいたします。

- 取扱説明書に記載のない条件や環境での使用
- 原子力制御・鉄道・航空・車両・燃焼装置・医療機器・娯楽機器・安全機器などへの使用
- 人命や財産に大きな影響が予測され、特に安全性が要求される用途への使用

Nel caso il prodotto venisse utilizzato nelle circostanze o negli ambienti operativi più avanti descritti, ci si assicuri che vengano rispettate le limitazioni ai valori nominali e alle funzioni che possono essere svolte. Si prendano inoltre delle contromisure per garantire l'incolumità come per i dispositivi di sicurezza.

- Utilizzo del prodotto in condizioni o ambienti non descritti nei manuali e nei cataloghi.
- Utilizzo del prodotto nel controllo di centrali nucleari, ferrovie, aerei, veicoli, inceneritori, apparecchi elettromedicali, apparecchiature per l'intrattenimento, dispositivi di sicurezza ecc...
- Utilizzo del prodotto in applicazioni nelle quali è possibile, causare la morte o gravi danni o ove sia necessario installare dispositivi di sicurezza.

Cuando se utilice el producto bajo las siguientes circunstancias o condiciones, verifique que se cumplan las limitaciones de valores nominales y de funciones. Tomar también las medidas apropiadas para seguridad tales como instalaciones de seguridad contra fallos.

- Utilización en circunstancias o condiciones no descritas en este manual de instrucciones.
- Utilización para control de energía nuclear, ferrocarriles, aviones, incineradoras, equipos de medicina, equipos de mantenimiento, dispositivos de seguridad, etc...
- Utilización en aplicaciones donde exista riesgo de muerte o de daños graves materiales y sean necesarias medidas adicionales de seguridad.

安全上のご注意

<p>警告</p> <p>誤った取り扱いをすると、死亡または、重傷を負う可能性が想定される場合を示します。</p>	<p>警告</p> <p>端子には触らないでください。感電の恐れがあります。</p>
--	---

PRECAUZIONI DI SICUREZZA

<p>AVVERTENZA</p> <p>Un uso erroneo può causare morte o lesioni.</p>	<p>AVVERTENZA</p> <p>Si eviti di toccare i terminali. L'alta tensione presente sui terminali può essere causa di pericolose scosse elettriche.</p>
---	---

PRECAUCIONES RELATIVAS LA SEGURIDAD

<p>AVISO</p> <p>El manejo incorrecto puede causar la muerte o injurias.</p>	<p>AVISO</p> <p>No tocar el terminal. Puede provocar descarga eléctrica.</p>
--	---

お願い/正しい使い方

NOTA
NOTA

- 以下に示す項目は、安全を確保するために必ず守ってください。
1. 引火性、爆発性ガスの環境では使用しないでください。
 2. この製品を分解したり、修理、改造しないでください。修理の際は製造元に返却してください。
 3. 端子台のねじは、締付けトルクが0.74 N・m (7.5 kgf・cm)程度で締めてください。
 4. 配線用圧着端子は、指定サイズのものを使用してください。
 5. 電源電圧は、仕様範囲内で使用してください。
 6. 負荷は定格以下で使用してください。
 7. ドローアウトときは、絶対に電子部品に手を触れたり衝撃を与えたりしないでください。
 8. 形E5AJの周囲をぶさがないでください。
 9. 次の環境での使用を避けてください。
 - ・氷結、結露、塵あい、腐食性ガス (とくに硫化ガス、アンモニアガスなど) のあるところ
 - ・振動、衝撃の影響が大きいところ
 - ・冠水、被油のあるところ
 - ・温度変化が激しいところ
 - ・炉の放熱を受けるところ
 10. 端子の極性を確認して、正しく配線してください。
 11. 高圧、強電流線と接近しないように配線してください。
 12. 清掃について：シンナー類は使用しないでください。市販のアルコールを使用してください。
 13. お客様で交換できる部品はありません。ただし、出力ユニットは交換できます。
 14. 出力リレーの寿命は、開閉容量・開閉条件により大きく異なるので、定格負荷・電氣的寿命回数内で使用してください。寿命を越えた状態で使用すると接点溶着や焼損の恐れがあります。
 15. 温調器と負荷 (ヒータなど) の電源は同時に投入してください。温調器の電源を投入してから、負荷の電源を投入すると正しいセルフチューニングおよび最適な制御ができなくなりますので、行わないでください。
例えば、温調器の電源だけを入れて各表示レベルでパラメータの設定をする場合等は、設定終了後に温調器の電源をいったん切ってから、負荷の電源投入と同時に再投入。または、イベント入力2により停止 (STOP) から運転 (RUN) に切替えてください。

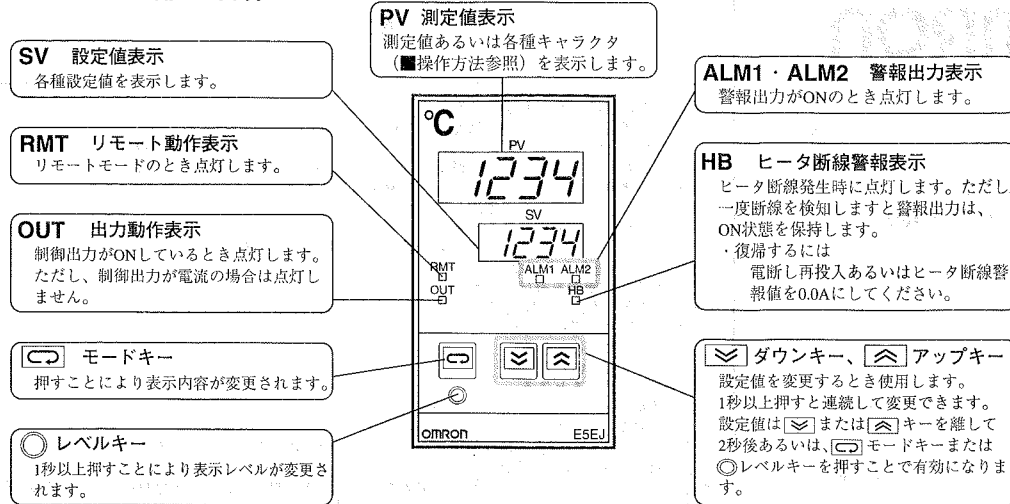
Le raccomandazioni sotto riportate sono necessarie per un utilizzo in sicurezza del prodotto. Annotatele con attenzione.

1. Non si utilizzi il prodotto in ambienti in cui è possibile vi sia la presenza di gas esplosivi o infiammabili.
2. Non si tenti di aprire o modificare il prodotto. Per le riparazioni, si restituisca il componente alla OMRON.
3. Le viti dei terminali devono essere serrate con una coppia di 0,74 N x m (o equivalente).
4. Per collegare i cavi al prodotto si utilizzino dei terminali a crimpare di dimensioni adeguate.
5. Si alimenti il prodotto con una tensione non superiore alla tensione nominale.
6. Non si colleghi al prodotto un carico il cui assorbimento ecceda il carico nominale.
7. Se si estrae il regolatore dalla sua custodia, non toccare mai né applicare tensione alle parti elettroniche all'interno.
8. Non coprire il regolatore.
9. Non usare il regolatore nei seguenti luoghi:
 - luoghi soggetti alla formazione di ghiaccio, condensa, polvere o gas corrosivi (particolarmente gas di zolfo o gas di ammoniaca).
 - luoghi soggetti a vibrazioni o forti scosse.
 - luoghi soggetti a schizzi di liquido o atmosfere oleose.
 - luoghi soggetti a forti cambiamenti di temperatura.
 - luoghi soggetti a radiazioni di calore da una fornace.
10. Ci si assicuri di effettuare i collegamenti in modo corretto rispettando la polarità dei terminali.
11. Si eviti di far passare i cavi vicino a sorgenti di alte tensioni o linee ad alta potenza.
12. Pulizia: Si eviti di pulire il prodotto con diluenti per vernici o prodotti similari. Si pulisca il prodotto utilizzando alcool comune o.
13. Componenti non sostituibili dall'utente.
Tuttavia, l'unità di uscita può essere sostituita.
14. La vita del relè d'uscita varia in funzione della portata e delle condizioni di utilizzo. Utilizzare il prodotto al di sotto della portata nominale e per un numero di operazioni corrispondenti alle aspettative di vita elettrica del prodotto.
Se si utilizza il prodotto per valori superiori a quelli nominali sia come portata che come numero di operazioni, i contatti del relè potrebbero danneggiarsi e potrebbero causare pericolo di incendio.
15. Alimentare sempre il termoregolatore e il carico contemporaneamente. Non alimentare il carico quando il termoregolatore è già alimentato. Così facendo si eviterà di disabilitare il self-tuning appropriato. Quando si impostano i parametri del termoregolatore con il carico non alimentato, spegnere il termoregolatore al termine delle impostazioni, e rialimentarlo contemporaneamente al carico. Oppure modificare lo stato dell'ingresso di evento da RUN a STOP.

Para una utilización segura es necesario observar cuidadosamente los siguientes puntos.

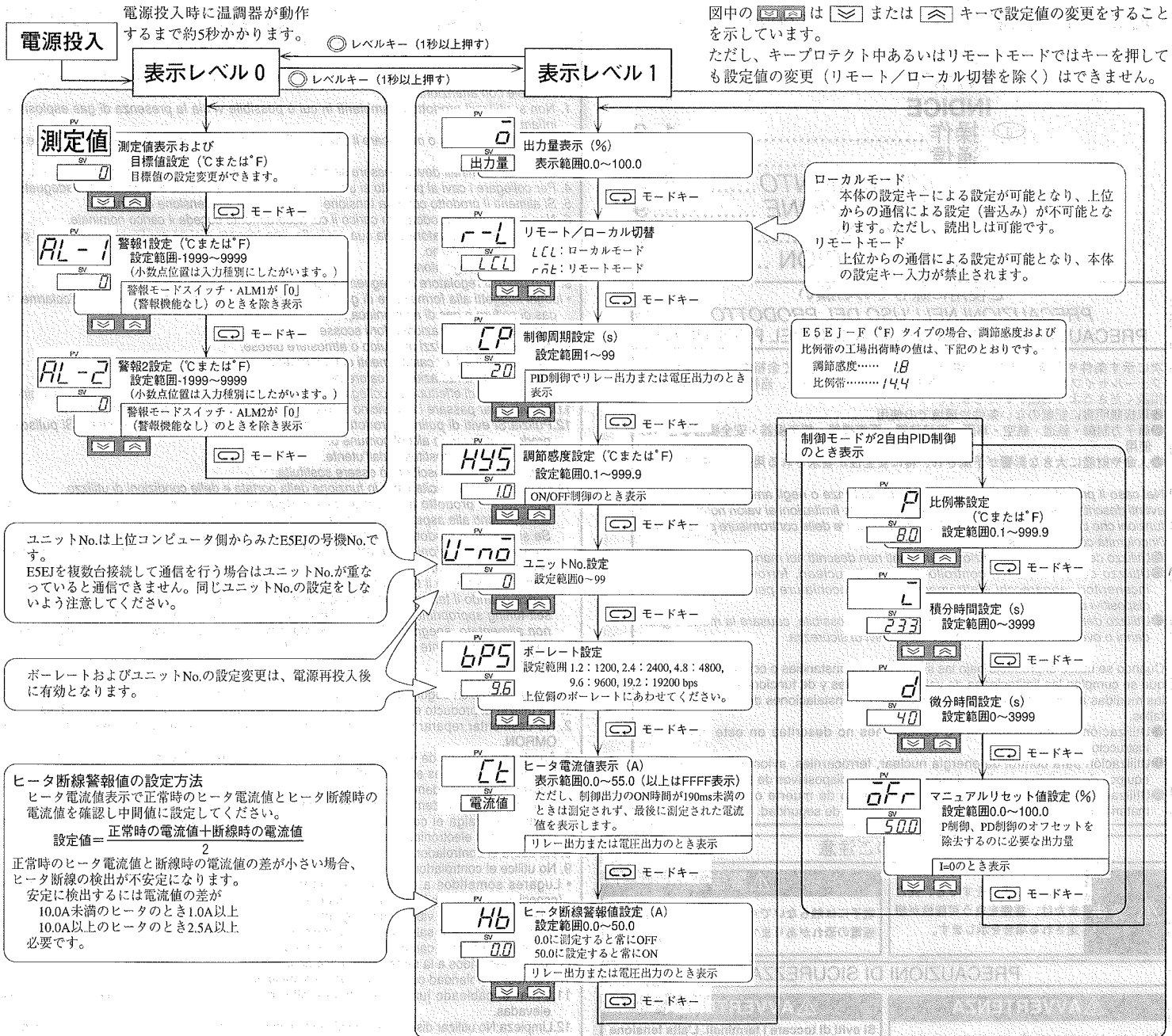
1. No utilizar el producto en lugares donde puedan existir gases explosivos o inflamables.
2. No desmontar, reparar ni modificar nunca el producto. Para cualquier reparación enviar a OMRON.
3. Apretar los tornillos de terminales con un par de 0,74 N·m (7,5 kgf·cm) o equivalente.
4. Utilizar los terminales especificados para el cableado.
5. Utilizar el producto dentro de la tensión de alimentación nominal.
6. Utilizar el producto dentro de la carga nominal.
7. Cuando extraiga el controlador de su caja, no toque nunca ni ejerza presión sobre los componentes electrónicos de su interior.
8. No cubra el controlador.
9. No utilice el controlador en:
 - Lugares sometidos a congelación, condensación de humedad, polvo, o gas corrosivo (especialmente gas sulfúrico o gas amoníaco).
 - Lugares sometidos a vibraciones o golpes.
 - Lugares sometidos a salpicaduras de líquidos o aceite.
 - Lugares sometidos a cambios bruscos de temperatura.
 - Lugares sometidos a la radiación térmica de un horno.
10. Verificar la polaridad cuando se efectúe el cableado.
11. Evitar el cableado junto a fuentes de alta tensión y líneas de potencia con corrientes elevadas.
12. Limpieza: No utilizar disolventes de pinturas o similares. Utilizar alcohol común para limpiar el producto.
13. Partes no reemplazables por el usuario.
Sin embargo, se puede sustituir la unidad de salida.
14. La vida útil del relé varía según la capacidad y condiciones de conmutación. Por favor utilice el producto con carga y vida útil eléctrica (operaciones) nominales.
Si el producto se utiliza excediendo los valores eléctricos nominales y la vida útil estimada, fallarán los contactos del relé pudiendo provocar peligro de incendio.
15. Para que el self-tuning opere correctamente y así obtener un control óptimo, conectar siempre el controlador y la carga simultáneamente.
Por ejemplo, cuando se seleccionan los parámetros del controlador con la carga desconectada, desconectar el controlador después de finalizar las selecciones y luego conectar simultáneamente el controlador y la carga. O conmutar la entrada de evento 2 de STOP a RUN.

■フロント部の名称



主な仕様	
電源電圧	AC100-240V (-15%~+10%) 50/60Hz AC/DC24V (-15%~+10%) 50/60Hz
消費電力	14VA (AC100-240V) 10VA (AC24V) 6W (DC24V)
入力	熱電対、白金測温抵抗体
制御出力	出力ユニットによる
警報出力	1a AC250V 3A (抵抗負荷)
制御方式	ON/OFFまたは2自由度PID
使用周囲温度	-10~55°C
使用周囲湿度	35~85%
保存温度	-25~65°C
質量	約280g
設置環境	設置が「川」、汚染度 2 (IEC1010-1による)
高度	2000m以下
推奨ヒューズ	T2A, AC250V タイムラグ 低遮断容量

■操作方法 (各設定値表示部の値は、工場出荷時の設定値です。)



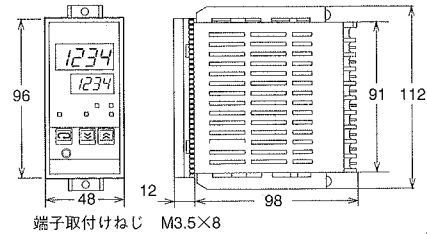
■その他の機能

■操作方法で説明している機能のほかに次のような機能が別レベルにあります。
警報調節感度、目標値リミット、表示モード自動復帰、入力補正
通信仕様変更 (データビット長、パリティチェック、ストップビット長)
この取扱説明書では、別レベルへ移行する方法および機能の説明はしていませんので別冊「E5□」操作マニュアルを参照ください。なお、「E5□」操作マニュアルは当社営業所または販売店にご請求ください。

形E5EJは、電源—入出力端子間は、基礎絶縁です。
入出力端子は、露出した充電部をもたない装置に接続してください。
また、入出力端子は、AC250Vに対し基礎絶縁されている装置に接続してください。

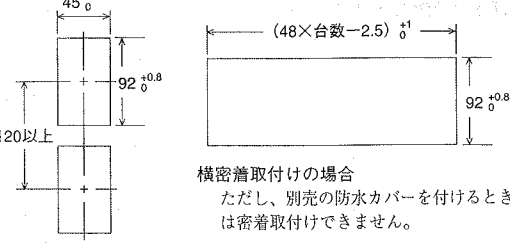
■取付け

・外形寸法

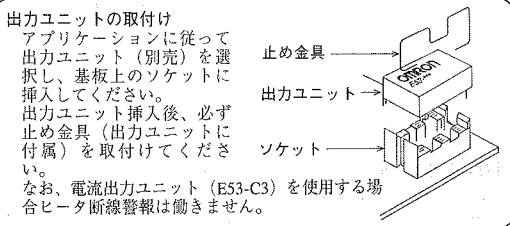
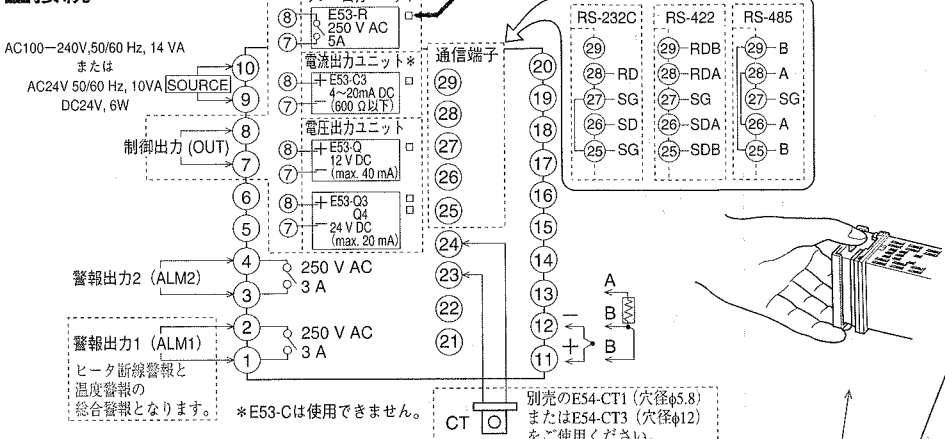


・取付けは付属の取付け具 (2個) を、上下に取付け、プラスドライバーにて取付けます。右まわして、取付け具のラチェットがカチカチと音がするまで締め付けてください。
 ・リアケースの通気孔は塞がないでください。

・取付け穴加工

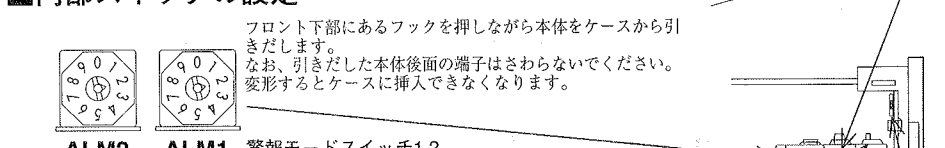


■接続



・左記の他に、リニア出力ユニット0~5V DC (1kΩ以上)、0~10V DC (1kΩ以上)、0~20mA DC (600Ω以下) があります。

■内部スイッチの設定



INPUT 入力種別切替スイッチ

番号	入力	設定温度範囲	
		°C	°F
0 (8)	JPt100	-199.9~650.0	-199.9~999.9
1 (9)	Pt100	-199.9~650.0	-199.9~999.9
2	K	-200~1300	-300~2300
3	J	-100~850	-100~1500
4	T	-199.9~400.0	-199.9~700.0
5	L	-100~850	-100~1500
6	U	-199.9~400.0	-199.9~700.0
7	N	-200~1300	-300~2300

工場出荷時

JPt100: 100°Cのとき139.16 Ω
Pt100: 100°Cのとき138.50 Ω

温度単位を°Fにするには
①すべての内部スイッチの設定が終わったあとで、FUNCTIONスイッチのNo.4 (通常はOFF) をONにします。
②本体をケースに挿入し電源を投入します。
③表示は $\frac{d}{u}$ となります。
ここで $\frac{d}{u}$ キーを1度押しすると設定値表示部が°Fに替わり温度単位は°Fになります。
④°Fに変更後2秒以上経過して電源を切ります。
⑤本体をケースから引き出し、FUNCTIONスイッチのNo.4をOFFにしてから電源を投入してください。

PROTECT キープロテクトスイッチ

モード	プロテクト内容
ALL	ALL キーは押ししても動作しません。すべての設定値の変更を禁止できます。
OFF	すべてのキー (ON/OFF, 2自由度, ファジィセル) は通常の動作をします。キープロテクトなし。
SP	ON/OFF, 2自由度, ファジィセル キーは押ししても動作しません。ただし、目標値設定のときは動作します。目標値以外の設定値の変更を禁止できます。

工場出荷時

FUNCTION ファンクションスイッチ

出力動作	正動作 (冷却)	逆動作 (加熱)	ON/OFF制御	2自由度PID制御	ファジィセルフューニング付2自由度PID制御
ON	ON	OFF	ON	OFF	OFF
OFF	OFF	ON	OFF	ON	ON

工場出荷時設定

工場出荷時設定	1	2	3	4
OFF	OFF	OFF	OFF	OFF

* ONあるいはOFF (No.2がONのとき、No.3の設定に関係なく制御モードはON/OFF制御)

■異常状態表示

PV表示	異常内容	異常時の出力状態		確認する項目
		制御出力	警報出力	
SErr	入力異常	OFF (2mA以下)	異常高温として処理	①入力が制御可能範囲 (設定温度範囲の±10%) を超えていないか ※ ②入力種別の設定が間違っていないか ③入力の誤配線、断線、短絡はないか
E111	メモリ異常	OFF (2mA以下)	OFF	電源し電源を再投入してください。表示が変わらない場合は、修理が必要です。正常復帰した場合は、ノイズの影響が考えられます。ノイズが発生していないか確認してください。
E333	A/Dコンバータ異常	OFF (2mA以下)	OFF	
RErr	校正データ異常 電源投入時に2秒間表示	正常動作 (精度保証外)		当社にて再校正が必要です。

■外乱による周期的な温度変動がある特定のアプリケーションでは、内部パラメータの変更が必要な場合があります。詳細な変更方法は、別冊「E5 □ J 操作マニュアル」を参照ください。

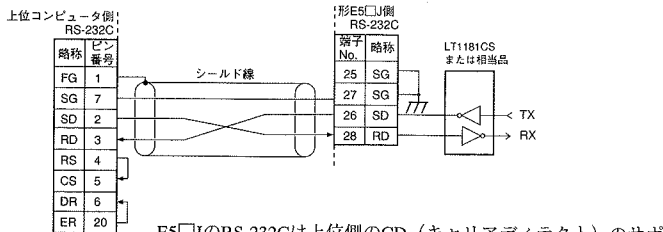
* 入力が制御可能範囲内で表示可能範囲 (-1999~9999) を超えた場合、-1999より小さい値は \overline{cccc} 、9999より大きい値は $\overline{9999}$ と表示します。この表示のときは制御出力および警報出力ともに正常に動作します。

■通信インターフェース

(RS-232Cの場合)

電気的特性：EIA RS-232Cに準拠
線路長：最大15m
RS-232Cで直接接続する場合は1:1接続しかできません。

信号名称	略称	信号方向	端子 No.
信号用接地または共通線	SG	—	25,27
送信データ	SD	出力	26
受信データ	RD	入力	28

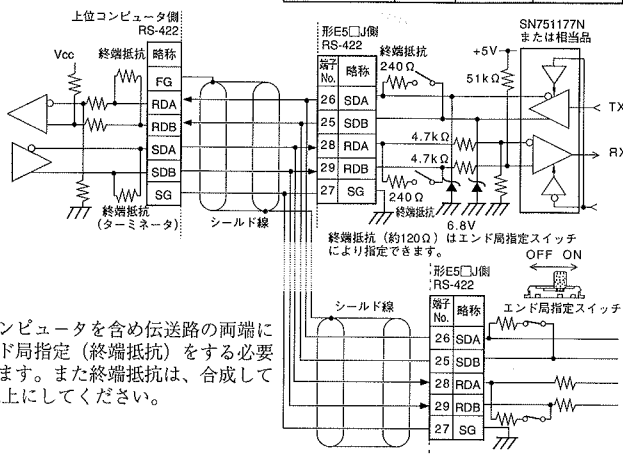


E5□JのRS-232Cは上位側のCD (キャリアディテクト) のサポートができません。CD信号の必要な上位の場合、上位側で12V DCにプルアップするなどしてサポートしてください。

(RS-422の場合)

電気的特性：EIA RS-422に準拠
線路長：線路長合計で最大500m
RS-422で接続する場合は1:32接続まで可能です。

信号名称	略称	信号方向	端子 No.
送信データ A	SDA	出力	26
送信データ B	SDB	出力	25
受信データ A	RDA	入力	28
受信データ B	RDB	入力	29
信号用接地	SG	—	27

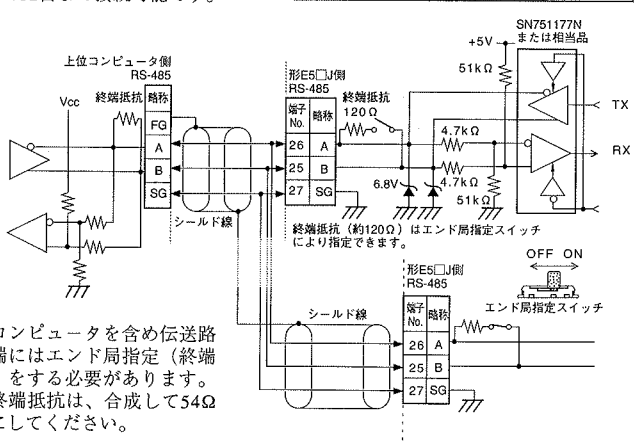


上位コンピュータを含め伝送路の両端にはエンド局指定 (終端抵抗) をする必要があります。また終端抵抗は、合成して100Ω以上にしてください。

(RS-485の場合)

電気的特性：EIA RS-485に準拠
線路長：線路長合計で最大500m
RS-485で接続する場合は上位を含めて32台まで接続可能です。

信号名称	略称	信号方向	端子 No.
端子 A	A	入出力	26,28
端子 B	B	入出力	25,29
信号用接地	SG	—	27



上位コンピュータを含め伝送路の両端にはエンド局指定 (終端抵抗) をする必要があります。また終端抵抗は、合成して54Ω以上にしてください。

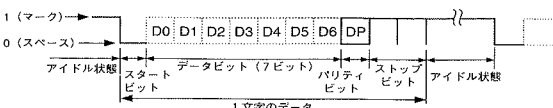
■通信仕様

通信方式：半二重
同期方式：調歩同期式 (非同同期式)
ボーレート：1200/2400/4800/9600/19200 bps (表示レベル1で設定)
誤り検出：垂直パリティおよびFCS
データビット長：7ビット (ASCIIコード)
ストップビット長：2
パリティチェック：偶数
インターフェース：RS-232C, RS-422, RS-485

信号識別表

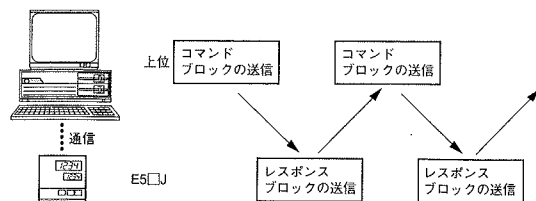
端子での信号電圧は、下の表のとおりです。

インターフェース	信号電圧	データ信号
RS-232C	Highレベル	0 (スペース)
	Lowレベル	1 (マーク)
RS-422	SDA > SDB	0 (スペース)
	SDA < SDB	1 (マーク)
RS-485	A > B	0 (スペース)
	A < B	1 (マーク)



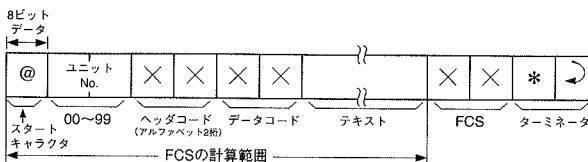
■通信制御手順

E5□Jにおける通信の手順は、専用の会話型となっています。最初の送信権は上位コンピュータにあります。上位とE5□Jは1ブロックのデータを送信することに、送信権を相手に移します。上位がコマンドブロックを送ると必ずE5□Jはレスポンスブロックを返信します。

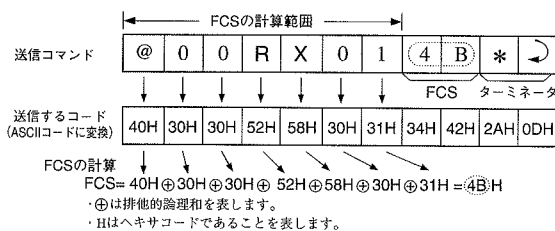


■ブロックの定義

上位コンピュータより送られるブロック (文字列) をコマンドブロックと呼びます。E5□Jより送られるブロック (文字列) をレスポンスブロックと呼びます。1ブロックはスタートキャラクタ「@」とユニットNo.で始まり、FCSとターミネータで終わります。



FCS (フレームチェックシーケンス) はスタートキャラクタ「@」からテキストの最終文字までの排他的論理和を計算し、その8ビットデータをASCIIの2文字に変換したものです。次に計算例を示します。



計算結果の「4B」を送信コマンドのFCSとして送信します。

■ヘッダコード一覧

○：有効コード

ヘッダコード	データコード	名称	リモートモード	ローカルモード	備考
ME	01	バックアップモード選択	○	○	
MA	01	RAM書き込みモード選択	○	○	
MW	01	目標値保存	○	○	
MB	01	リモート/ローカルモード切替	○	○	
WS	01	目標値読み込み	○	○	
W%	01	警報値1書込み	○	○	注1
W%	02	警報値2書込み	○	○	
WW	01	ヒータ断線警報値書込み	○	○	
WB	01	比例帯書込み	○	○	
WN	01	積分時間書込み	○	○	注1および注2
WV	01	微分時間書込み	○	○	
RS	01	目標値読み出し	○	○	
R%	01	警報値1読み出し	○	○	
R%	02	警報値2読み出し	○	○	
RW	01	ヒータ断線警報値読み出し	○	○	
RB	01	比例帯読み出し	○	○	
RN	01	積分時間読み出し	○	○	注2
RV	01	微分時間読み出し	○	○	
RX	01	測定値読み出し	○	○	
RO	01	出力量読み出し	○	○	
RZ	01	ヒータ電流値読み出し	○	○	
RU	01	イニシャルステータス読み出し	○	○	
IC		未定義エラー	○	○	注3

注1.ローカルモードのときは無効となります。このときコマンドを送信すると終了コード「0D」(コマンド実行不可)が返信されます。

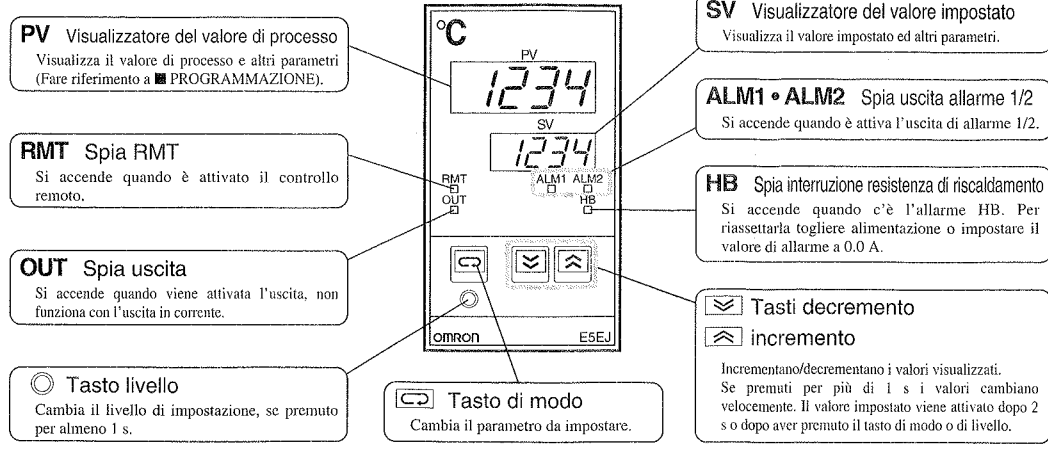
注2.制御モードがON/OFF制御あるいはファジィセルフチューニング付2自由度PID制御のとき、このコマンドを送信すると未定義エラー「IC」が返信されます。

注3.未定義ヘッダコードおよび表示レベル0/1で表示されていないパラメータの読み出し/書き込みをしたときのレスポンスです。

■プログラム作成上の留意点

- ① 数値データはデータの種類に応じて少数点を考慮し、書込み・読み出しする必要があります。データはすべて4桁とします。
 - ・少数点を考慮しなければならない場合は
 - ・出力量、ヒータ断線警報値、ヒータ電流値、比例帯
 - ・測定値、目標値、警報値 (入力種別がPt100/Pt100/T/Uのいずれかの場合)
 (例) 出力量50.0%を読み出した場合 ----- 0500
 - ・マイナスのデータは×10³が-1のときはA、-のときはFにします。
 - (例) 目標値が-15℃の場合 ----- F015
 - Pt100使用時の目標値が-150.0℃の場合 ----- A500
- ② コマンドを送ると必ずレスポンスが返ってきます。レスポンスの内容をチェックして、上位側で処理してください。
- ③ 入力異常、A/Dコンバータ異常、などが発生した場合、読み出しデータは無効です。必ずステータスデータをチェックするようにプログラムを作成してください。
- ④ ノイズの影響が原因と考えられる通信異常に対しては、異常が回復されるまで通信の再実行を10回程度行ってください。
- ⑤ レスポンスフォーマットのステータスデータ中、何も説明していないビットについては、データが不定となりますのでご注意ください。

DESCRIZIONE PANNELLO FRONTALE

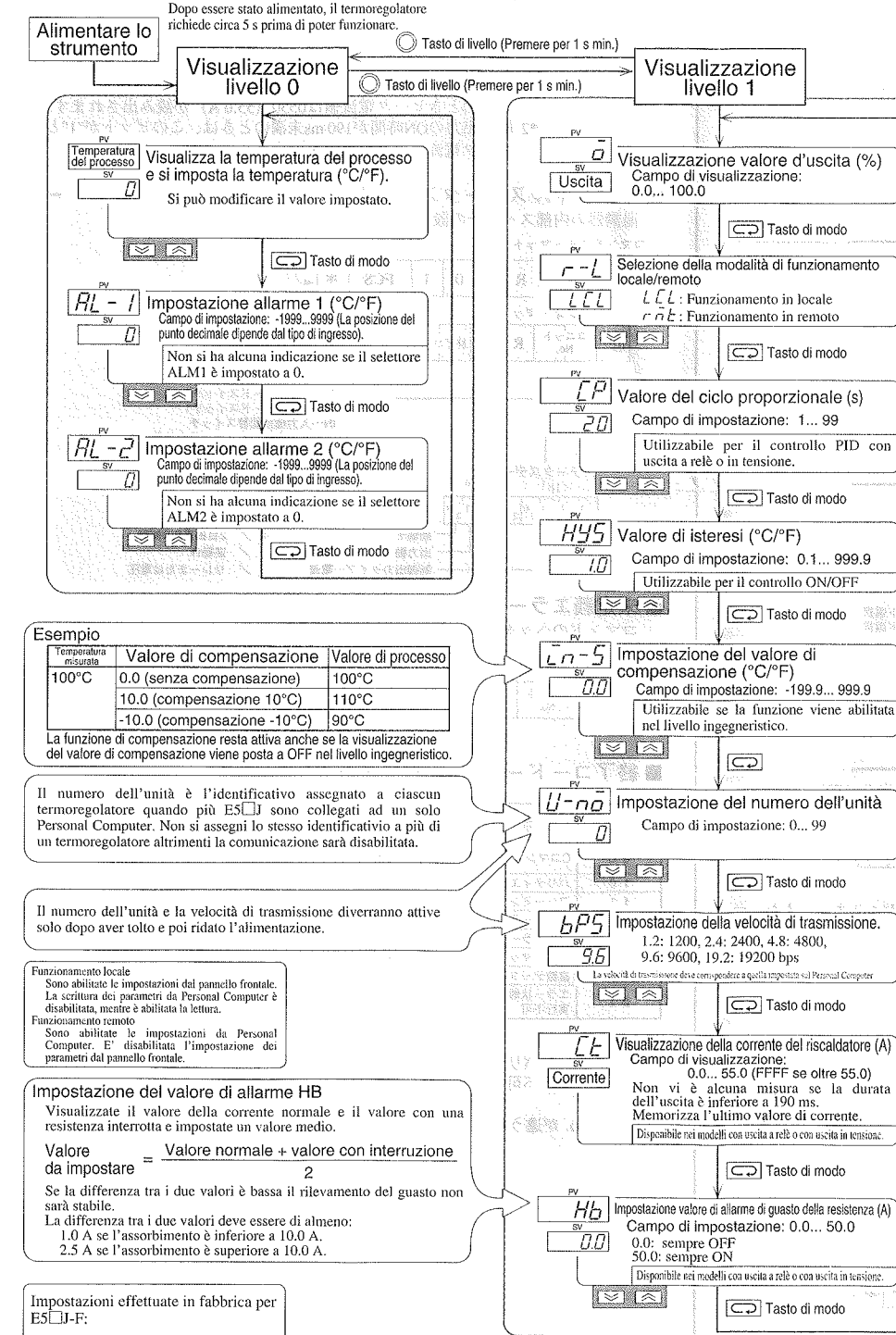


SPECIFICHE PRINCIPALI

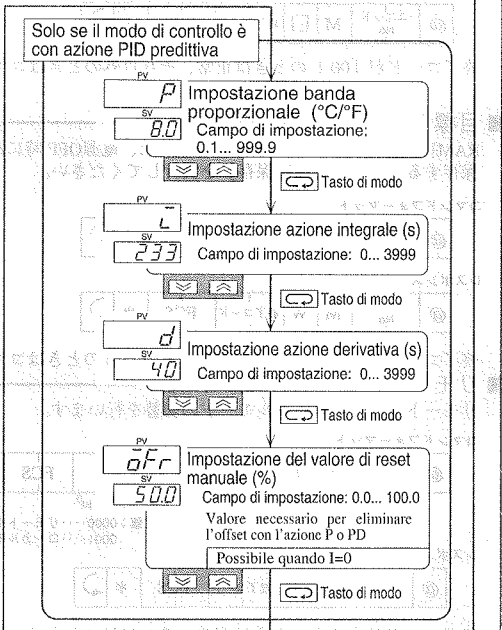
- Tensione alimentazione : 100...240Vc.a. (-15...+10%), 50 o 60 Hz
24Vc.a./c.c. (-15...+10%), 50 o 60 Hz
- Assorbimento : 14 VA (100...240Vc.a.)
10 VA (24Vc.a.)
6 W (24Vc.c.)
- Ingresso : Termocoppia, termometro resistenza al platino
- Uscita di controllo : Secondo l'unità di uscita
- Uscita di allarme : 1a 250Vc.a., 3 A (carico resistivo)
- Metodo controllo : ON/OFF o PID
- Temperatura ambiente di impiego : Da -10 a 55°C
- Umidità ambiente di impiego : Dal 35 all'85%
- Temperatura di stoccaggio : Da -25 a 65°C
- Peso : Circa 280 g
- Ambiente di installazione (Conforme a IEC 1010-1) Categoria d'installazione II, Livello d'inquinamento 2.
- Altitudine : 2000m max.
- Fusibile raccomandato : T2A, 250Vc.a., Ritardato, Bassa capacità di interruzione

PROGRAMMAZIONE

Qui sono indicate le impostazioni effettuate in fabbrica.



I tasti indicano che i valori possono essere modificati se la protezione tasti non è stata attivata. Le impostazioni, ad esclusione della selezione di funzionamento locale/remoto non possono essere modificate quando è attiva l'inibizione dei tasti o in modalità remota.



Esempio

Temperatura misurata	Valore di compensazione	Valore di processo
100°C	0.0 (senza compensazione)	100°C
	10.0 (compensazione 10°C)	110°C
	-10.0 (compensazione -10°C)	90°C

La funzione di compensazione resta attiva anche se la visualizzazione del valore di compensazione viene posta a OFF nel livello ingegneristico.

Il numero dell'unità è l'identificativo assegnato a ciascun termoregolatore quando più ES□□ sono collegati ad un solo Personal Computer. Non si assegnano lo stesso identificativo a più di un termoregolatore altrimenti la comunicazione sarà disabilitata.

Il numero dell'unità e la velocità di trasmissione diverranno attive solo dopo aver tolto e poi ridato l'alimentazione.

Funzionamento locale
Sono abilitate le impostazioni del pannello frontale. La scrittura dei parametri da Personal Computer è disabilitata, mentre è abilitata la lettura.

Funzionamento remoto
Sono abilitate le impostazioni da Personal Computer. È disabilitata l'impostazione dei parametri dal pannello frontale.

Impostazione del valore di allarme HB
Visualizzate il valore della corrente normale e il valore con una resistenza interrotta e impostate un valore medio.

Valore da impostare = $\frac{\text{Valore normale} + \text{valore con interruzione}}{2}$

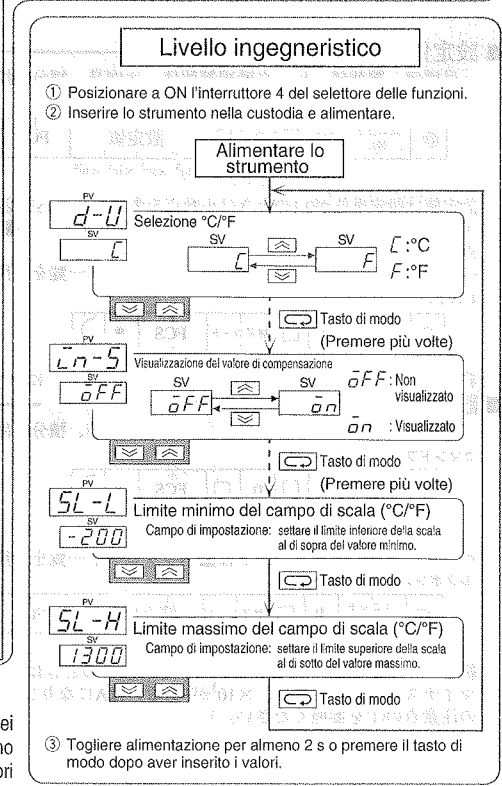
Se la differenza tra i due valori è bassa il rilevamento del guasto non sarà stabile.
La differenza tra i due valori deve essere di almeno:
1.0 A se l'assorbimento è inferiore a 10.0 A.
2.5 A se l'assorbimento è superiore a 10.0 A.

Impostazioni effettuate in fabbrica per ES□□-F:

HYS	18	SL-L	300
P	144	SL-H	2300
d-U	F		

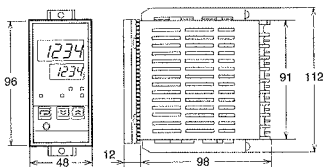
ALTRE FUNZIONI

L'isteresi sugli allarmi, il ritorno automatico alla visualizzazione e la modifiche dei parametri di comunicazione (lunghezza del carattere, parità e bit di stop) sono alcuni dei parametri che possono essere impostati utilizzando il livello 2. Per ulteriori dettagli si consulti il manual "E5 J Operation manual".



MONTAGGIO

Dimensioni esterne (mm)

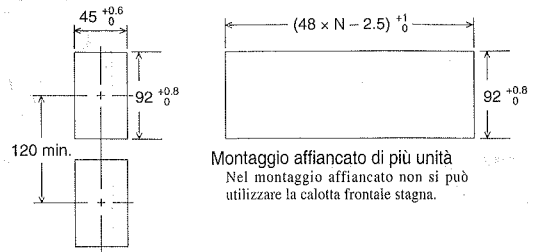


Terminali a vite : M3,5 x 8

Note:

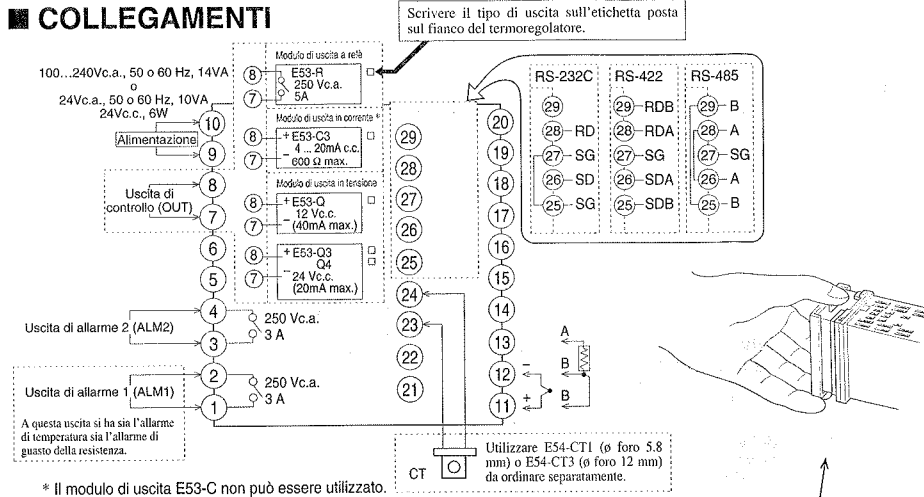
- Si installino le due staffe di montaggio, fornite come accessori, nella parte alta e in quella bassa del termoregolatore e si assicurino utilizzando un cacciavite.
- Si avvino le viti fino a che le staffe non scattano nella posizione corretta.
- Non occludere le fessure di aerazione poste sulla custodia.

Foratura pannello



Montaggio affiancato di più unità
Nel montaggio affiancato non si può utilizzare la calotta frontale stagna.

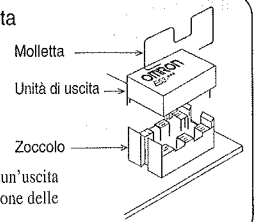
COLLEGAMENTI



Scrivere il tipo di uscita sull'etichetta posta sul fianco del termoregolatore.

Installazione del modulo di uscita

Scegliere l'unità di uscita che più si adatta all'applicazione. Inserire l'unità nello zoccolo del termoregolatore e assicurarsi che sia bloccata dalla molletta di ritenzione.



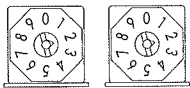
Quando si utilizza come uscita di controllo un'uscita analogica (E53-C3) l'allarme di interruzione delle resistenze di riscaldamento è disabilitato.

- In aggiunta a quelle sopra indicate sono disponibili le seguenti uscite lineari: 0-5Vc.c. (1 kΩ min.), 0-10Vc.c. (1 kΩ min.) e 0-20 mA c.c. (600 Ω max.).

Per modelli E5EJ, i terminali di ingresso e uscita sono elettricamente isolati dai terminali di alimentazione. Collegare i terminali di ingresso e uscita ad apparecchiature che non hanno parti in tensione accessibili all'operatore. Collegare i terminali di ingresso e uscita ad apparecchiature con isolamento idoneo a 250 Vc.a.

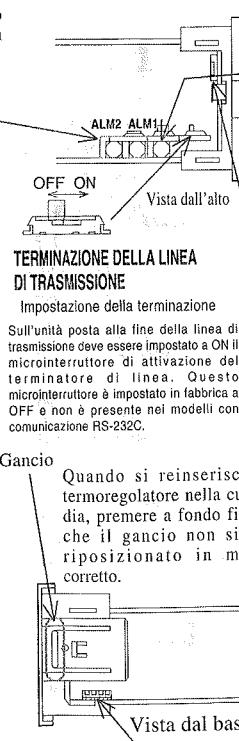
IMPOSTAZIONE SELETTORI

Estrarre il termoregolatore dalla custodia premendo il gancio alla base del pannello frontale. Fare attenzione a non deformare i terminali interni.



ALM2 ALM1 Selettore modo di allarme 1/2

Posizione selettore	Modo operativo	Uscita di allarme	
		Quando X è positivo	Quando X è negativo
0	Nessun allarme	OFF	
1	Allarme temperatura max. e min.	ON	Sempre ON
2	Allarme temperatura max.	ON	OFF
3	Allarme temperatura min.	OFF	ON
4	Allarme di temperatura di campo	ON	Sempre OFF
5	Allarme temperatura max. e min. con sequenza di attesa	ON	Sempre OFF
6	Allarme temperatura max. con sequenza di attesa	ON	OFF
7	Allarme temperatura min. con sequenza di attesa	OFF	ON
8	Allarme valore assoluto temperatura max.	ON	OFF
9	Allarme valore assoluto temperatura min.	OFF	ON



TERMINAZIONE DELLA LINEA DI TRASMISSIONE

Impostazione della terminazione
Sull'unità posta alla fine della linea di trasmissione deve essere impostato ON il microinterruttore di attivazione del terminatore di linea. Questo microinterruttore è impostato in fabbrica a OFF e non è presente nei modelli con comunicazione RS-232C.

INPUT



Selettore del sensore di temperatura

Impostazione selettore	Sensore di temperatura	Temperature misurabili	
		°C	°F
0 (8)	JPt100	-199.9...650.0	-199.9...999.9
1 (9)	Pt100	-199.9...650.0	-199.9...999.9
2	K	-200...1300	-300...2300
3	J	-100...850	-100...1500
4	T	-199.9...400.0	-199.9...700.0
5	L	-100...850	-100...1500
6	U	-199.9...400.0	-199.9...700.0
7	N	-200...1300	-300...2300

JPt100: 100 °C/139.16 °F
Pt100: 100 °C/138.50 °F

PROTECT Selettore inibizione tasti

Posizione	Tipo di protezione
ALL	I tasti di livello, incremento e decremento non sono abilitati. Tutte le impostazioni sono protette.
OFF	Tutti i tasti sono abilitati (livello, incremento, decremento e display). Non vi sono funzioni di inibizione dei tasti abilitate.
SP	I tasti di livello, incremento e decremento non sono abilitati. I tasti di incremento e decremento possono essere utilizzati solo per impostare il SET POINT. Inibisce i cambiamenti delle impostazioni, tranne che per il SET POINT.

FUNCTION Selettore delle funzioni



Funzionamento	Impostazione selettore			
	1	2	3	4
Raffreddamento	ON			
Riscaldamento	OFF			
Modalità di controllo	Azione ON/OFF	ON	※	
	Azione PID predittiva	OFF	ON	
Livello di impostazione	Azione PID predittiva e self-tuning fuzzy	OFF	OFF	
	Funzionamento normale			ON

※ Il termoregolatore funziona in modalità di controllo ON/OFF indifferentemente dal tipo di impostazione del selettore 3 se il selettore 2 è su ON.

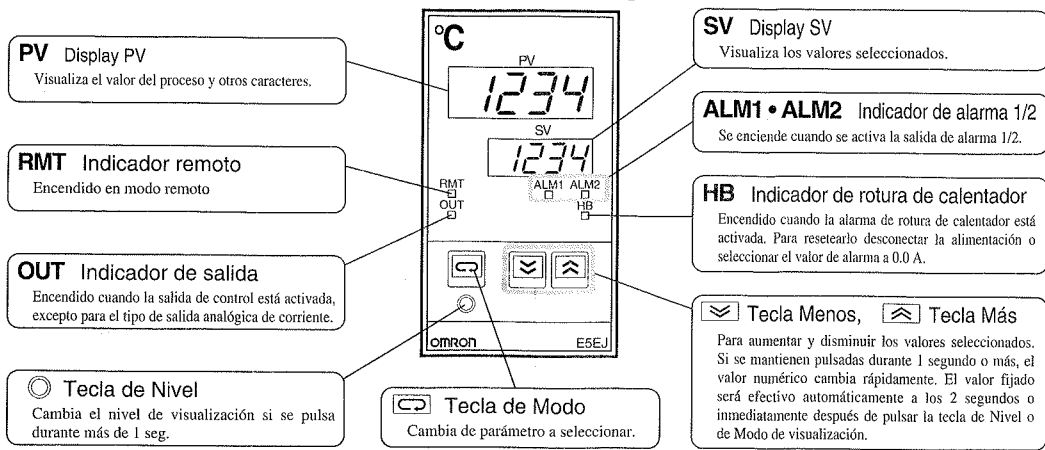
MESSAGGI DI ERRORE

Messaggio	Causa	Uscita		Azione correttiva
		Uscita di regolazione	Uscita di allarme	
SErr	Segnale di ingresso non corretto	OFF (2mA max.)	Elabora l'errore come se si trattasse di una temperatura più alta della norma.	1) Verificare se l'ingresso non rientra nel possibile campo di controllo (cioè, ±10% del campo della temperatura impostato). 2) Verificare se le impostazioni degli ingressi sono errate. 3) Verificare se vi sono errori di cablaggio, cavi danneggiati, o cortocircuiti.
E111	Guasto nella memoria	OFF (2mA max.)	OFF	Spegnerne e riaccendere il termoregolatore. Se dopo questa operazione il display non risulta modificato, significa che sono necessarie delle riparazioni. Se il display ritorna alla normalità può darsi che il termoregolatore sia stato influenzato da disturbi. Controllare se vi sono disturbi.
E333	Guasto nel convertitore A/D	OFF (2mA max.)	Condizione precedente al rilevamento dell'errore.	E' necessario rieffettuare la calibrazione.
RErr	Errore nella calibrazione dati	Funzionamento normale (la precisione non è garantita)	Funzionamento normale (la precisione non è garantita)	

※ Se il valore di ingresso supera il valore visualizzabile (-1999... 9999), apparirà **cccc** se il valore è inferiore a -1999 e apparirà **9999** se il valore è maggiore di 9999. In queste condizioni le uscite di controllo e di allarme funzioneranno normalmente.

- In alcune specifiche applicazioni dove la temperatura varia periodicamente a causa dei disturbi, è necessario modificare alcuni parametri. Per i dettagli, fare riferimento al catalogo.
- A richiesta è fornibile la calotta coprimorsetti mod. E53-COV03 (conforme a VDE0106/P100).

NOMENCLATURA DE LOS COMPONENTES

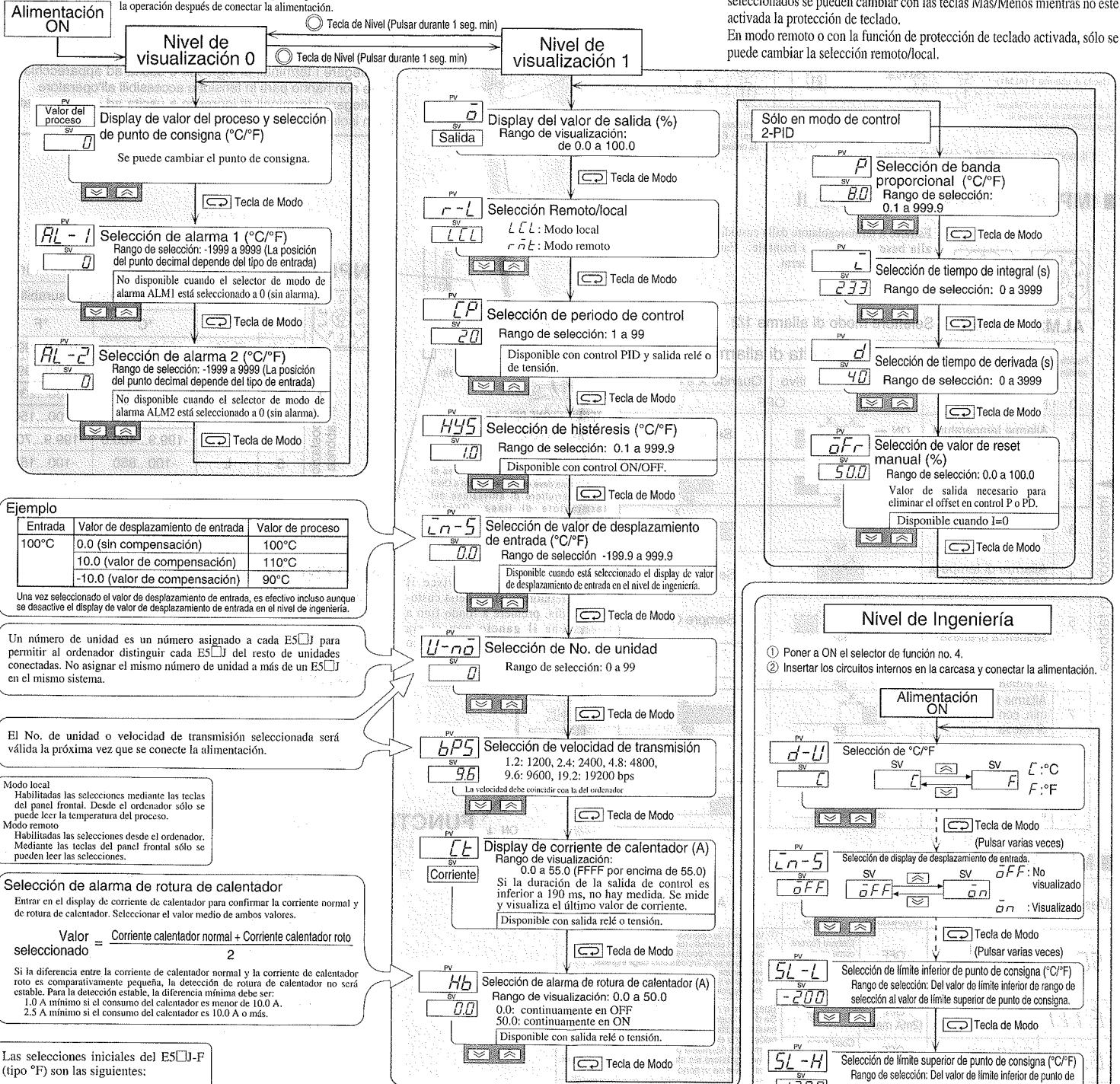


ESPECIFICACIONES PRINCIPALES

- Tensión de alimentación : 100 a 240Vc.a. (-15 a +10%), 50 ó 60 Hz
24Vc.a./c.c. (-15 a +10%) 50 ó 60 Hz
- Consumo : 14 VA (100 a 240 Vc.a.)
10 VA (24 Vc.a.)
6 W (24 Vc.c.)
- Entrada : termopar, termorresistencia de platino
- Salida de control : De acuerdo con la unidad de salida
- Salida de alarma : 1 a 250 V c.a., 3 A (carga resistiva)
- Método de control : Control ON/OFF o PID
- Temperatura ambiente de operación : -10 a 55°C
- Humedad ambiente de operación : 35 a 85 %
- Temperatura de almacenamiento : -25 a 65°C
- Peso : Aprox. 280 g
- Condiciones ambientales (de acuerdo con IEC 1010-1) Categoría de instalación II, Grado de contaminación 2
- Altura : 2000m máx.
- Fusible recomendado : T2A, 250Vc.a., Retardado, Baja capacidad de corte

OPERACION Las selecciones iniciales son las siguientes.

El controlador necesita aprox. 5 segundos para iniciar la operación después de conectar la alimentación.



Ejemplo

Entrada	Valor de desplazamiento de entrada	Valor de proceso
100°C	0.0 (sin compensación)	100°C
	10.0 (valor de compensación)	110°C
	-10.0 (valor de compensación)	90°C

Una vez seleccionado el valor de desplazamiento de entrada, es efectivo incluso aunque se desactive el display de valor de desplazamiento de entrada en el nivel de ingeniería.

Un número de unidad es un número asignado a cada E5□□ para permitir al ordenador distinguir cada E5□□ del resto de unidades conectadas. No asignar el mismo número de unidad a más de un E5□□ en el mismo sistema.

El No. de unidad o velocidad de transmisión seleccionada será válida la próxima vez que se conecte la alimentación.

Modo local
Habilitadas las selecciones mediante las teclas del panel frontal. Desde el ordenador sólo se puede leer la temperatura del proceso.

Modo remoto
Habilitadas las selecciones desde el ordenador. Mediante las teclas del panel frontal sólo se pueden leer las selecciones.

Selección de alarma de rotura de calentador
Entrar en el display de corriente de calentador para confirmar la corriente normal y de rotura de calentador. Seleccionar el valor medio de ambos valores.

$$\text{Valor} = \frac{\text{Corriente calentador normal} + \text{Corriente calentador roto}}{2}$$

Si la diferencia entre la corriente de calentador normal y la corriente de calentador roto es comparativamente pequeña, la detección de rotura de calentador no será estable. Para la detección estable, la diferencia mínima debe ser:
1.0 A mínimo si el consumo del calentador es menor de 10.0 A.
2.5 A mínimo si el consumo del calentador es 10.0 A o más.

Las selecciones iniciales del E5□□-F (tipo °F) son las siguientes:

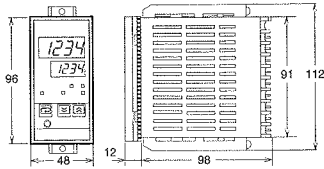
H45.....18 SL-L.....300
P.....144 SL-H.....2300
d-U.....F

OTRAS FUNCIONES

En el nivel de ingeniería se puede seleccionar histéresis de alarma, retorno automático de modo de visualización y tipo de entrada de evento 2. Para más información consultar el MANUAL DE OPERACION/ COMUNICACIONES E5. J.

■ INSTALACION

• Dimensiones externas (mm)

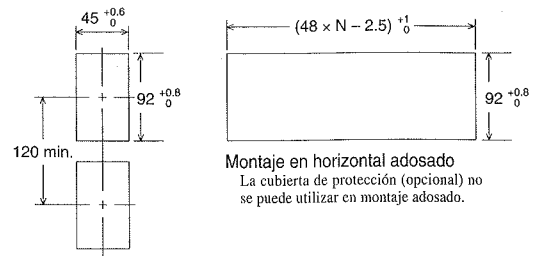


Tornillos de terminal : M3.5 x 8

Nota:

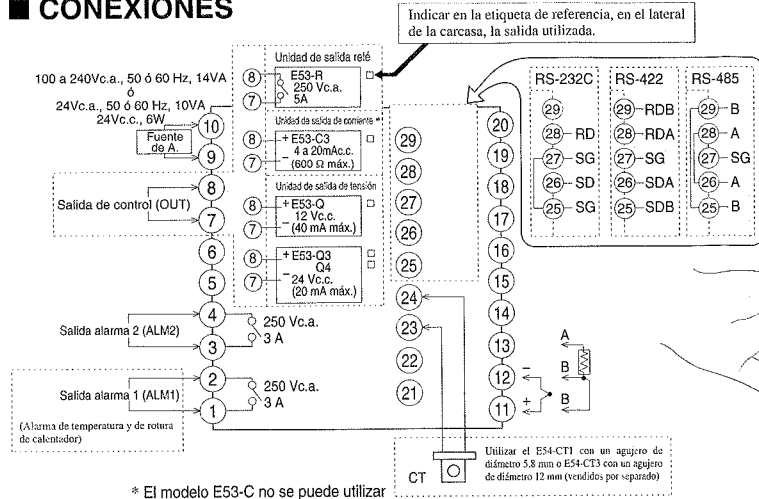
- Colocar los dos soportes de montaje, suministrados con el controlador, en la parte superior e inferior del E5EJ y fijarlos girando en sentido horario con un destornillador, hasta que el soporte emita un chasquido.
- No tapar la rejilla de ventilación en la parte posterior de la carcasa.

• Corte en el panel



Montaje en horizontal adosado
La cubierta de protección (opcional) no se puede utilizar en montaje adosado.

■ CONEXIONES

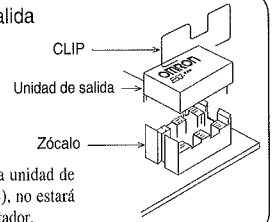


* El modelo E53-C no se puede utilizar

Utilizar el E54-CT1 con un agujero de diámetro 5.8 mm o E54-CT3 con un agujero de diámetro 12 mm (vendidos por separado)

Instalación de la unidad de salida

Seleccionar la unidad de salida de acuerdo con la aplicación. Insertarla en el zócalo de la placa. Asegurarla mediante el clip que se suministra con la unidad.



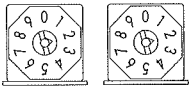
Si como salida de control se utiliza la unidad de salida analógica de corriente (E53-C3), no estará disponible la alarma de rotura de calentador.

- Además de las anteriores, están disponibles las siguientes unidades de salida lineal. 0 a 5Vc.c. (1kΩ mín.), 0 a 10Vc.c. (1kΩ mín.) y 0 a 20 mA c.c. (600 Ω máx.).

Para tipo E5EJ, los terminales de entrada y de salida tienen aislamiento básico con los terminales de alimentación. Conectar los terminales de entrada y de salida a cualquier dispositivo que no tenga componentes cargados accesibles. Conectar los terminales de entrada y de salida a cualquier dispositivo que tenga aislamiento básico para 250Vc.a.

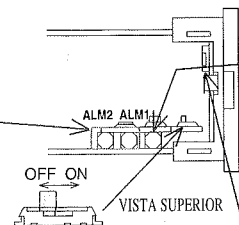
■ SELECCIONES DEL INTERRUPTOR

Presionar sobre la pestaña de la parte inferior del panel frontal y extraer los circuitos internos de la carcasa. No tocar los terminales internos. Si se deforman los terminales internos, la carcasa no encajará.

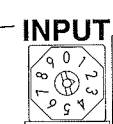


Selectores de modo alarma 1/2

Posición No.	Modo de alarma	Salida de alarma	
		Con X positiva	Con X negativa
0	Sin alarma	OFF	
1	Alarma de límite superior e inferior (desviación)	ON	Siempre ON
2	Alarma de límite superior (desviación)	ON	Siempre ON
3	Alarma de límite inferior (desviación)	ON	Siempre ON
4	Alarma de rango de límite superior e inferior (desviación)	ON	Siempre OFF
5	Alarma de límite superior e inferior con secuencia de standby (desviación)	ON	Siempre OFF
6	Alarma de límite superior con secuencia de standby (desviación)	ON	Siempre OFF
7	Alarma de límite inferior con secuencia de standby (desviación)	ON	Siempre OFF
8	Alarma de límite superior de valor absoluto	ON	Siempre OFF
9	Alarma de límite inferior de valor absoluto	ON	Siempre OFF



TERMINACIÓN DE LÍNEA
Interruptor de terminación de línea
La unidad colocada al final de la línea de comunicación se debe señalar como terminación poniendo a ON el interruptor de terminación. La selección inicial de este interruptor es OFF. El modelo RS-232C no incorpora este selector.

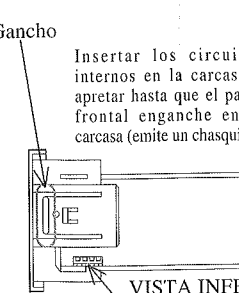


Posición No.	Entrada	Rango de temperatura seleccionado	
		°C	°F
0 (8)	JPt100	-199.9 a 650.0	-199.9 a 999.9
1 (9)	Pt100	-199.9 a 650.0	-199.9 a 999.9
2	K	-200 a 1300	-300 a 2300
3	J	-100 a 850	-100 a 1500
4	T	-199.9 a 400.0	-199.9 a 700.0
5	L	-100 a 850	-100 a 1500
6	U	-199.9 a 400.0	-199.9 a 700.0
7	N	-200 a 1300	-300 a 2300

JPt100: 100 °C/139.16 Ω
Pt100: 100 °C/138.50 Ω

PROTECT Interruptor de protección de teclado

Modo	Protección
ALL	No están operativas las teclas de Nivel, Más y Menos. No se puede cambiar ninguna selección.
OFF	Todas las teclas (Nivel, Modo, Más y Menos) están operativas. No hay protección del teclado.
SP	No están operativas las teclas de Nivel, Más y Menos. Sin embargo, las teclas Más y Menos sí son operativas sólo para la selección del Punto de Consigna. Impide cambiar las selecciones excepto el Punto de Consigna.



Insertar los circuitos internos en la carcasa y apretar hasta que el panel frontal encaje en la carcasa (emite un chasquido)

FUNCTION Selector de función

Operación de salida	Modo de control	Nivel	Pin no.			
			1	2	3	4
Frio (Normal)	ON					
Calor (inversa)	OFF					
Control ON/OFF		ON	*			
2-PID		OFF	ON			
2-PID con self-tuning fuzzy		OFF	OFF			
Nivel de ingeniería					ON	
Operación normal					OFF	
Selecciones iniciales			OFF	OFF	OFF	OFF

* ON u OFF: Control ON/OFF independientemente de la selección del pin 3 si el pin 2 está en ON.

■ DETECCIÓN Y CORRECCION DE ERRORES

Display PV	Error	Salida		Elementos a comprobar
		Salida de control	Salida de alarma	
SErr	Error de entrada	OFF (2mA máx.)	Procesado como temperatura anormalmente alta	① Si la entrada ha excedido o no el rango de control (±10% del rango de temperatura seleccionado). ② Si la selección del tipo de entrada es incorrecta. ③ Si la entrada se ha cableado incorrectamente, está rota o cortocircuitada.
E111	Error de memoria	OFF (2mA máx.)	OFF	Conmutar el E5EJ a OFF y a ON. Si no cambia el display, el E5EJ necesita reparación. Si el display se normaliza, puede que el ruido haya influenciado al E5EJ.
E333	Error de convertidor A/D	OFF (2mA máx.)	OFF	Comprobar interferencia de ruido.
RErr	Error de datos de calibración.	Operación normal (precisión no garantizada)		Es necesario recalibrar el E5EJ.

* Si la entrada está dentro del rango de control posible pero excede el rango de visualización (-1999 a 9999), se visualizará **cccc** si el valor es menor de -1999 y **9999** si el valor es mayor que 9999, al tiempo que la salida de control y la salida de alarma funcionarán normalmente.

■ Interfacce di comunicazione

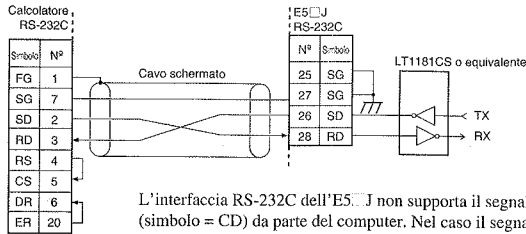
RS-232C

Caratteristiche elettriche: conforme agli standard EIA RS-232C

Distanza di trasmissione: 15 m max.

Connessione: solo 1:1

Segnale	Sigla	Direzione del segnale	Terminali di collegamento
Massa del segnale (Signal Ground)	SG	—	25 e 27
Send data (linea invio dati)	SD	Uscita	26
Receive data (linea ricezione dati)	RD	Ingresso	28



L'interfaccia RS-232C dell'E5J non supporta il segnale Carrier Detect (simbolo = CD) da parte del computer. Nel caso il segnale Carrier Detect dovesse essere necessario, applicate una tensione di 12 Vc.c. prelevandolo da uno dei terminali del calcolatore.

RS-422

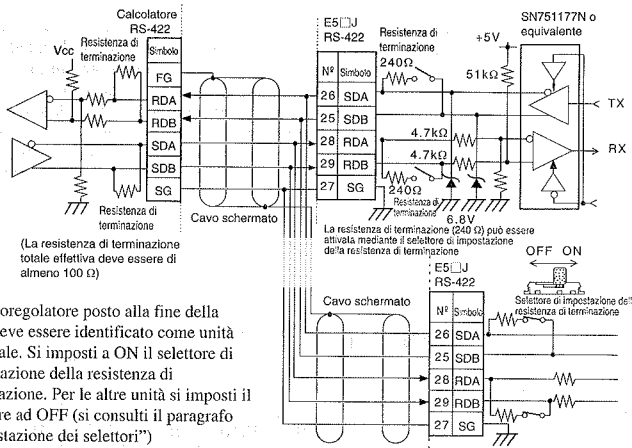
Caratteristiche elettriche:

conforme agli standard EIA RS-422

Distanza di trasmissione: fino a 500 m max.

Connessione: multipunto (fino a 1:32 max.)

Segnale	Sigla	Direzione del segnale	Terminali di collegamento
Send data A (linea invio segnale A)	SDA	Uscita	26
Send data B (linea invio segnale B)	SDB	Uscita	25
Receive data A (linea ricezione dati A)	RDA	Ingresso	28
Receive data B (linea ricezione dati B)	RDB	Ingresso	29
Massa del segnale (Signal Ground)	SG	—	27



Il termoregolatore posto alla fine della linea deve essere identificato come unità terminale. Si imposti a ON il selettore di impostazione della resistenza di terminazione. Per le altre unità si imposti il selettore ad OFF (si consulti il paragrafo "Impostazione dei selettori")

RS-485

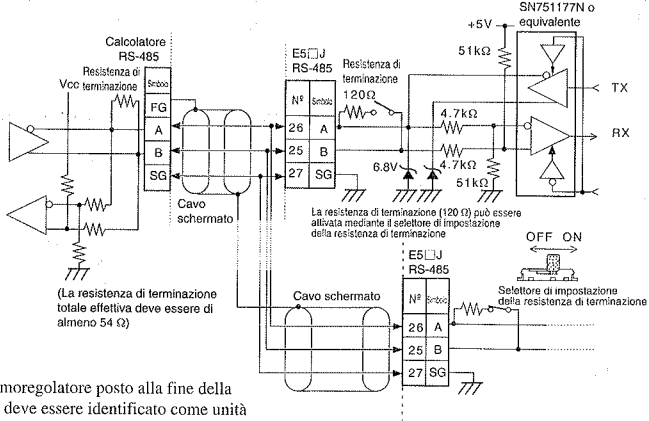
Caratteristiche elettriche:

conforme agli standard EIA RS-485

Distanza di trasmissione: fino a 500 m max.

Connessione: multipunto (fino a 1:32 max. incluso l'host computer)

Segnale	Signal	Direzione del segnale	Terminali di collegamento
Terminal A	A	Ingresso/uscita	26 e 28
Terminal B	B	Ingresso/uscita	25 e 29
Massa del segnale (Signal ground)	SG	—	27



Il termoregolatore posto alla fine della linea deve essere identificato come unità terminale. Si imposti a ON il selettore di impostazione della resistenza di terminazione. Per le altre unità si imposti il selettore ad OFF (si consulti il paragrafo "Impostazione dei selettori")

■ Specifiche della comunicazione

Metodo di trasmissione: half duplex

Sincronismo: Start-stop (asincrono)

Velocità di trasmissione: 1200, 2400, 4800, 9600, 19200 bps (impostabile utilizzando il livello 1 di impostazione)

Rilevazione errori: Parità verticale ed FCS

Lunghezza carattere: 7 bit

Bit di stop: 2

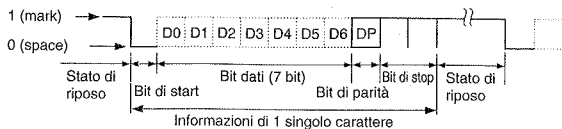
Parità: Even (pari)

Interfacce: RS-232C, RS-422, RS-485

Identificazione dei segnali

Il livello di tensione dei segnali può essere identificato come segue:

Interfaccia	Livello di tensione del segnale	Segnale
RS-232C	Livello alto	0 (space)
	Livello basso	1 (mark)
RS-422	SDA > SDB	0 (space)
	SDA < SDB	1 (mark)
RS-485	A > B	0 (space)
	A < B	1 (mark)



■ Especificaciones generales de comunicaciones

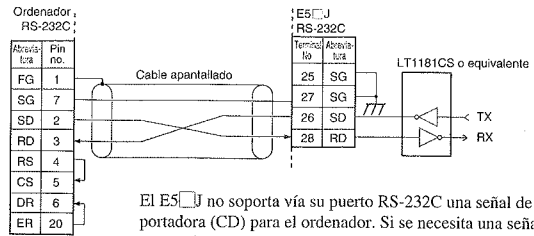
RS-232C

Características eléctricas conforme a EIA RS-232C.

Longitud del cable: 15 m máximo.

Método de conexión: sólo conexión 1:1

Señal	Abreviatura	Dirección de señal	Terminal no.
Massa lógica o común	SG	—	25 y 27
Enviar dato	SD	Salida	26
Recibir dato	RD	Entrada	28



El E5J no soporta vía su puerto RS-232C una señal de detección de portadora (CD) para el ordenador. Si se necesita una señal CD, debe proporcionarla el ordenador (vía terminal de +12 V).

RS-422

Características eléctricas conforme a

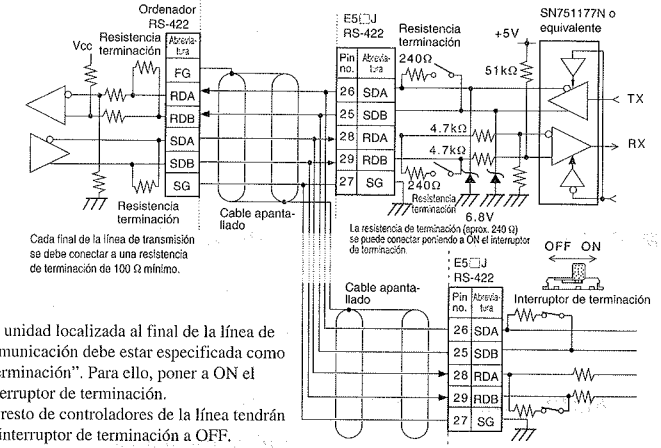
EIA RS-422.

Longitud del cable: 500 m máximo (total)

Método de conexión:

Máximo conexión 1:32

Señal	Abreviatura	Dirección de señal	Terminal no.
Enviar dato A	SDA	Salida	26
Enviar dato B	SDB	Salida	25
Recibir dato A	RDA	Entrada	28
Recibir dato B	RDB	Entrada	29
Massa lógica	SG	—	27



La unidad localizada al final de la línea de comunicación debe estar especificada como "terminación". Para ello, poner a ON el interruptor de terminación. El resto de controladores de la línea tendrán el interruptor de terminación a OFF.

RS-485

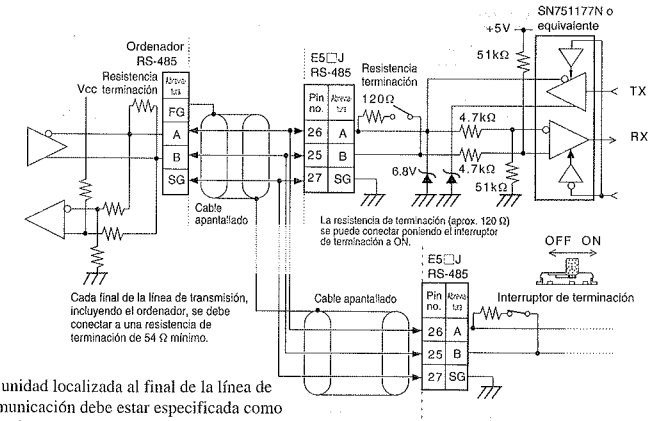
Características eléctricas conforme a

EIA RS-485.

Longitud del cable: 500 m máximo (total)

Método de conexión: Máx. 32 conexiones (incluyendo ordenador).

Señal	Abreviatura	Dirección de señal	Terminal no.
Terminal A	A	Entrada/salida	26 y 28
Terminal B	B	Entrada/salida	25 y 29
Massa lógica	SG	—	27



La unidad localizada al final de la línea de comunicación debe estar especificada como "terminación". Para ello, poner a ON el interruptor de terminación. El resto de controladores de la línea tendrán el interruptor de terminación a OFF.

■ Especificaciones generales de comunicaciones

Sistema de comunicaciones: Semidúplex

Método de sincronización: Sincronización

Start-stop (método asincrono)

Velocidad de transmisión: 1200, 2400, 4800, 9600

6 19200 bps (seleccionado en el nivel 1)

Código de comunicaciones: ASCII

Longitud de datos: 7 bits

Paridad: Par

Bits de stop: 2 bits

Interfaz: RS-232C/RS-422/RS-485

Identificaciones de señal

La siguiente tabla identifica la tensión de señal de cada terminal:

Interfaz	Tensión de señal	Señal de datos
RS-232C	Nivel alto	0 (espacio)
	Nivel bajo	1 (marca)
RS-422	SDA > SDB	0 (espacio)
	SDA < SDB	1 (marca)
RS-485	A > B	0 (espacio)
	A < B	1 (marca)

