

OMRON

形 E6C3-CWZ□□H

ロータリエンコーダ

取扱説明書

このたびは、本製品をお買い上げいただきまして、まことにありがとうございます。ご使用の際は、次の内容をお守りください。

オムロン株式会社



© OMRON Corporation 2002 All Rights Reserved.

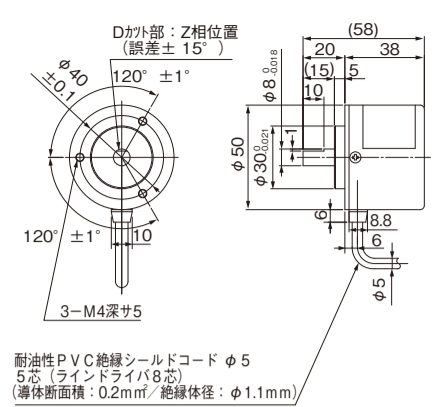
安全上の要点

- (1) 定格電圧を超えて、使用しないでください。定格電圧範囲以上の電圧を印加すると、破裂したり、焼損したりするおそれがあります。

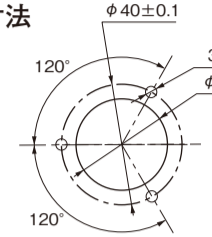
使用上の注意

- (1) 本製品は精密品で構成されていますので取扱いには十分注意してください。

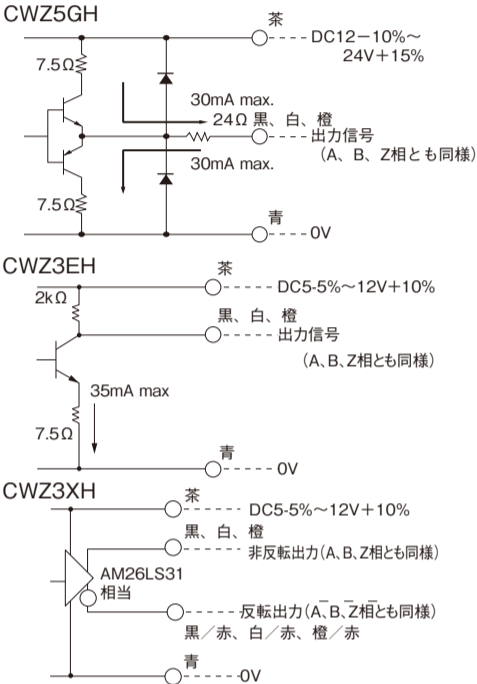
外形寸法図



取付寸法



出力段回路図



種類と定格

Table with 3 columns: Item/Type, E6C3-CWZ5GH, E6C3-CWZ3EH, E6C3-CWZ3XH. Rows include supply voltage, current consumption, output capacity, response frequency, etc.

接続

外部接続時には誤配線のないように注意してください。

Connection table showing terminal colors (茶, 黒, 白, 橙, 青) and their corresponding output names (電源, 出力A, 出力B, 出力Z, 出力A-bar, etc.).

ご承諾事項

当社は、一般工業製品向けの汎用品として設計製造されています。従いまして、次に掲げる用途での使用を意図していません。お客様が当社商品をこれらの用途に使用される際には、当社は当社商品に対して一切保証をいたしません。

OMRON

Model E6C3-CWZ□□H

ROTARY ENCODER

INSTRUCTION SHEET

Thank you for selecting OMRON product. This sheet primarily describes precautions required in installing and operating the product.

Before operating the product, read the sheet thoroughly to acquire sufficient knowledge of the product. For your convenience, keep the sheet at your disposal.

TRACEABILITY INFORMATION:

Representative in EU: Omron Europe B.V. Manufacturer: Omron Corporation, Shiokoji Horikawa, Shimogyo-ku, Kyoto 600-8530 JAPAN

The following notice applies only to products that carry the CE mark: Notice: This is a class A product. In residential areas it may cause radio interference, in which case the user may be required to take adequate measures to reduce interference.

© OMRON Corporation 2002 All Rights Reserved.

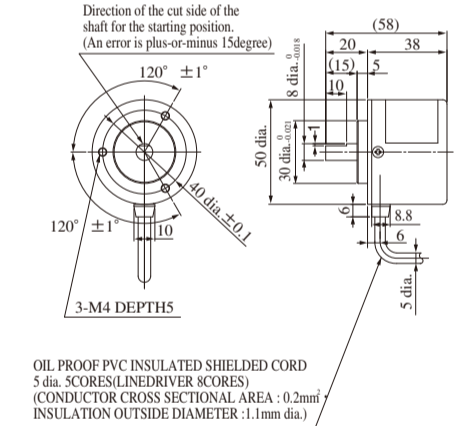
Precautions for Safe Use

- (1) Do not use the product in excess of the rated voltage. Applying voltage beyond the rated voltage range may cause the product to break or burn.

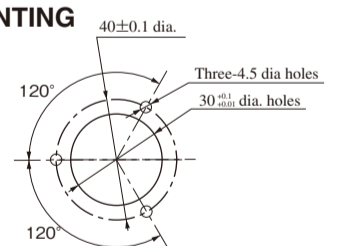
Precautions for Safe Use

- (1) Since the product consists of high-precision components, handle it with utmost care.

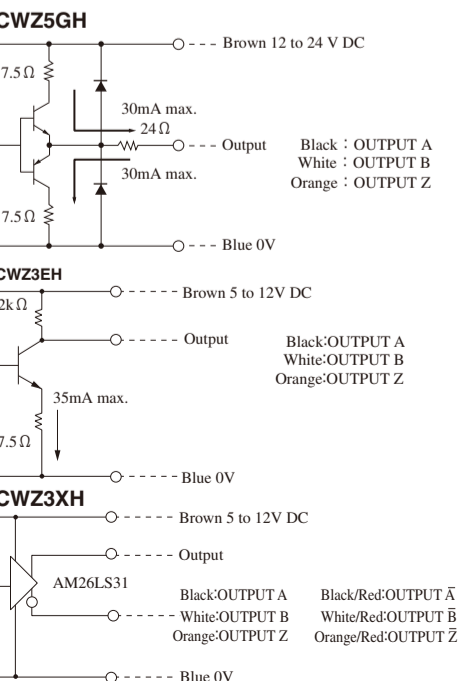
OUTLINE DRAWING



MOUNTING



OUTPUT CIRCUIT DIAGRAM



RATING

Rating table with 4 columns: Item/Type, E6C3-CWZ5GH, E6C3-CWZ3EH, E6C3-CWZ3XH. Rows include supply voltage, current consumption, output capacity, response frequency, etc.

Suitability for Use

Omron Companies shall not be responsible for conformity with any standards, codes or regulations which apply to the combination of the Product in the Buyer's application or use of the Product.

NEVER USE THE PRODUCT FOR AN APPLICATION INVOLVING SERIOUS RISK TO LIFE OR PROPERTY WITHOUT ENSURING THAT THE SYSTEM AS A WHOLE HAS BEEN DESIGNED TO ADDRESS THE RISKS, AND THAT THE OMRON PRODUCT(S) IS PROPERLY RATED AND INSTALLED FOR THE INTENDED USE WITHIN THE OVERALL EQUIPMENT OR SYSTEM.

OMRON Corporation Industrial Automation Company Tokyo, JAPAN Contact: www.ia.omron.com

Regional Headquarters: OMRON EUROPE B.V., Sensor Business Unit, Carl-Benz-Str. 4, D-71154 Nufringen, Germany. Tel: (49) 7032-811-0/Fax: (49) 7032-811-199

Oct, 2014