

Safety Light Curtain F3SG-□RE Series



<http://www.ia.omron.com/f3sg-r>

EN

Quick Installation Manual



Document Title	Cat. No.
Safety Light Curtain F3SG-R Series User's Manual	Z352-E1

Introduction

Thank you for purchasing the F3SG-□RE Series Safety Light Curtain (hereinafter referred to as the "F3SG-RE"). This document contains simple instructions to install the F3SG-RE.

Please download the F3SG-RE User's Manual for full contents of the instructions from our website at:
<http://www.ia.omron.com/f3sg-r>

Table of Contents

1. Precautions for Correct Use	2
2. What is Included	3
3. System Components	3
4. LED Indicators	4
4-1. LED Indicator Status	5
5. Ratings/Specifications	6
6. F3SG-RE Setup Procedure Example	9
7. F3SG-RE Setup Procedure Example	9
8. Wiring Examples	11
8-1. Long Mode	11
8-2. Short Mode	11
9. Safety Distance	12
9-1. Safety Distance Formulas according to ISO 13855/EN ISO 13855	12
9-2. Safety Distance Formulas according to ANSI B11.19	15
10. Mounting and Beam Alignment	16
10-1. Mounting with Standard Fixed Brackets (F39-LGF)	16
10-2. Mounting with Standard Adjustable Brackets (F39-LGA)	18
11. Operation Check	21
Suitability for Use/Contact Information	21

1. Precautions for Correct Use

Observe the precautions described below to prevent operation failure, malfunctions, or undesirable effects on product performance.

■ Storage conditions and installation environment

- Do not install, use, or store the F3SG-R for a long time at a temperature or humidity out of the specified range.
- This is a class A product. In residential areas it may cause radio interference, in which case the Responsible Person may be required to take adequate measures to reduce interference.

■ Wiring and installation

- Properly perform the wiring after confirming the signal names of all the terminals.
- Be sure that there is nothing in the detection zone and the stable-state indicator is turned ON after power is turned ON.
- Do not operate the control system until 2 seconds or more after turning ON the power of the F3SG-R.
- When using a commercially available switching regulator power supply, make sure to ground the PE terminal (protective earth terminal).
- Install the emitter and receiver to the same vertical direction.
Use brackets of specified quantities and locations according to the dimensions.
If the brackets described above are not used, ratings and performance cannot be met.
- Do not install the F3SG-R close to a device that generates high-frequency noise. Otherwise, take sufficient blocking measures.
- Sharing the power supply with other devices may cause the F3SG-R to be affected by noise or voltage drop. It is recommended that the F3SG-R use a power supply dedicated for safety components, not shared with other devices.

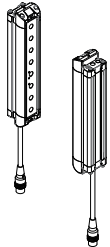
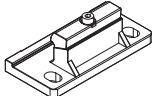
■ Cleaning


- Do not use thinner, benzene, or acetone for cleaning. They affect the product's resin parts and paint on the housing.
- Use a soft cloth which is dry or wetted with clean water for cleaning. Do not use solvents.

■ Object detection

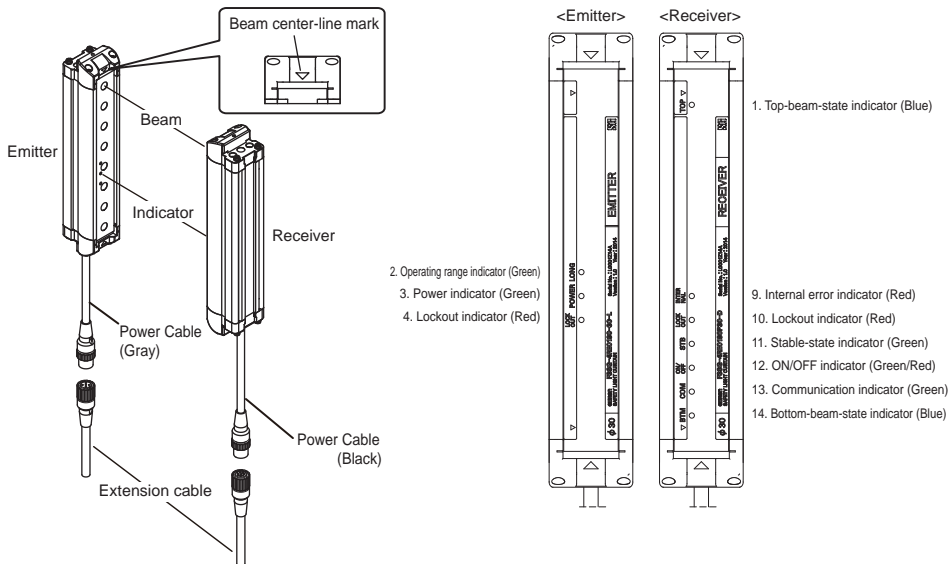
- The F3SG-R cannot detect transparent and/or translucent objects.

2. What is Included

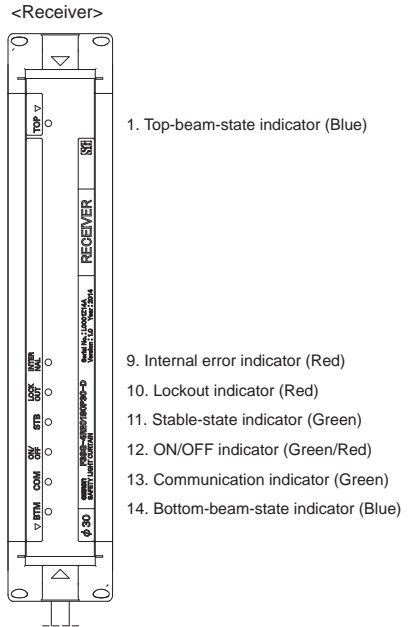
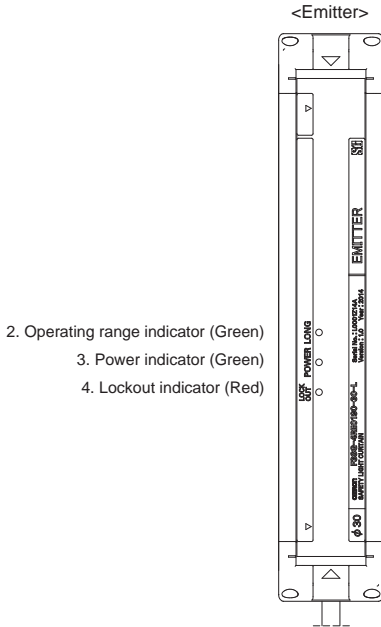
Product	Quantity
F3SG-0RE□□□□□□□□ main unit 	Emitter x 1, Receiver x 1
Standard Fixed Bracket 	The number of brackets included depends on protective height of the F3SG-RE. Less than 1,280 mm: 2 sets 1,280 mm or longer and up to 2,270 mm: 3 sets 2,350 mm or longer and up to 2,510 mm: 4 sets
Troubleshooting Guide Sticker	1
Safety Precautions	4
Quick Installation Manual	3

 For ratings/specifications, input/output circuit, LED indicator status and troubleshooting, refer to *Safety Light Curtain F3SG-R Series User's Manual*.

3. System Components



4. LED Indicators



4-1. LED Indicator Status

Shown below are indication statuses of F3SG-R LED indicators of factory default.

Emitter

Location	Name of Indicator		Color	Illuminated	Blinking
2	Operating range	LONG	Green	Long range mode is selected	Lockout state due to DIP Switch setting error or Operating range selection setting error
3	Power	POWER	Green	Power is ON.	Error due to noise
4	Lockout	LOCKOUT	Red	-	Lockout state due to error in emitter

Receiver



Location	Name of Indicator		Color	Illuminated	Blinking
1	Top-beam-state	TOP	Blue	The top beam is unblocked	Muting/Override state, or Lockout state due to Cap error or Other sensor error *3
5	Internal error	INTERNAL	Red	-	Lockout state due to Internal error, or error due to abnormal power supply or noise
6	Lockout	LOCKOUT	Red	-	Lockout state due to error in receiver
7	Stable-state	STB	Green	Incident light level is 170% or higher of ON-threshold	Safety output is instantaneously turned OFF due to ambient light or vibration
8	ON/OFF	ON/OFF	Green	Safety output is in ON state	-
			Red	Safety output is in OFF state	Lockout state due to Safety Output error, or error due to abnormal power supply or noise
9	Communication	COM	Green	Synchronization between emitter and receiver is maintained	Lockout state due to Communication error, or error due to abnormal power supply or noise
10	Bottom-beam-state	BTM	Blue	The bottom beam is unblocked	Muting/Override state, or Lockout state due to DIP Switch setting error *3



*1. The EDM indicator is illuminated when the RESET input is in the ON state regardless of the use of the EDM function.



*2. Refer to *F3SG-R Series User's Manual* for more information of blinking patterns.

5. Ratings/Specifications

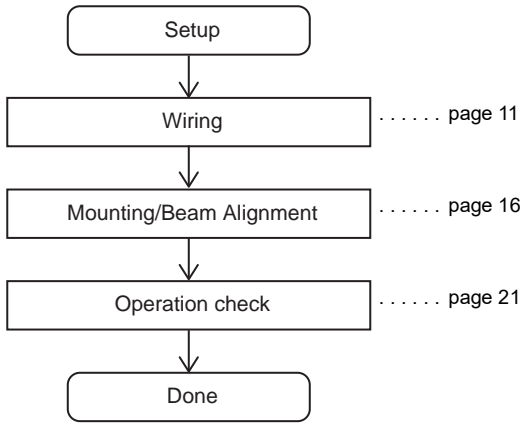
The □□□□ in the model names indicate the protective heights in millimeters.

		F3SG-4RE□□□□□14 F3SG-2RE□□□□□14	F3SG-4RE□□□□□30 F3SG-2RE□□□□□30
Type of ESPE (IEC 61496-1)	Type 4	F3SG-4RE□□□□□14/30	
	Type 2	F3SG-2RE□□□□□14/30	
Performance			
Object Resolution (Detection Capability)		Opaque objects	
		14-mm dia.	30-mm dia.
Beam Gap		10 mm	20 mm
Number of Beams		15 to 207	8 to 124
Lens Size		5.2 × 3.4 (W × H) mm	7-mm dia.
Protective Height		160 to 2080 mm (6.3 to 81.9 inch)	190 to 2510 mm (7.3 to 98.7 inch)
Operating Range	Long	0.3 to 10.0 m (1 to 32 ft.)	0.3 to 20.0 m (1 to 65 ft.)
	Short	0.3 to 3.0 m (1 to 10 ft.)	0.3 to 7.0 m (1 to 23 ft.)
Response Time	ON to OFF	5 to 15 ms	
	OFF to ON	25 to 75 ms	
	*1. Response time when used in one segment system or in cascaded connection.  Refer to <i>F3SG-R Series User's Manual</i> for more information. *2. Selectable by Configuration Tool.		
Effective Aperture Angle (EAA) (IEC 61496-2)	Type 4	±2.5° max., emitter and receiver at operating range of 3 m or greater	
	Type 2	±5.0° max., emitter and receiver at operating range of 3 m or greater	
Light Source		Infrared LEDs, Wavelength: 870 nm	
Startup Waiting Time		2 s max.	
Electrical			
Power Supply Voltage (Vs)		SELV/PELV 24 VDC±20% (ripple p-p 10% max.)	
Current Consumption		 Refer to <i>F3SG-R Series User's Manual</i> .	
Safety Outputs (OSSD)		F3SG-□RE□□□□□□□□□□: Two PNP transistor outputs F3SG-□RE□□□□□□□□□□: Two NPN transistor outputs	
		Load current of 300 mA max., Residual voltage of 2 V max. (except for voltage drop due to cable extension), Capacitive load of 1 μF max., Inductive load of 2.2 H max. *1 Leakage current of 1 mA max. (PNP), 2 mA max. (NPN) *2 *1. The load inductance is the maximum value when the safety output frequently repeats ON and OFF. When you use the safety output at 4 Hz or less, the usable load inductance becomes larger. *2. These values must be taken into consideration when connecting elements including a capacitive load such as a capacitor.	
Output Operation Mode	Safety Output	Light-ON (Safety output is enabled when the receiver receives an emitting signal.)	

		F3SG-4RE□□□□□14 F3SG-2RE□□□□□14	F3SG-4RE□□□□□30 F3SG-2RE□□□□□30
Input Voltage	RESET (EDM)	Operating Range Select Input: Long: 9 V to Vs (short circuit current: approx. 2.5 mA)* Short: 0 to 1.5 V (short circuit current: approx. 2.0 mA) The F3SG-RE enters the Long Mode when the Operating Range Select Input line is open.	
	MUTE A/B		
	TEST		
	* The Vs indicates a supply voltage value in your environment.		
Overvoltage Category (IEC 60664-1)		II	
Indicators		 Refer to 4. LED Indicators	
Protective Circuit		Output short protection, Power supply reverse polarity protection	
Insulation Resistance		20 MΩ or higher (500 VDC megger)	
Dielectric Strength		1,000 VAC, 50/60 Hz (1 min)	
Functional			
Mutual Interference Prevention (Scan Code)		 Refer to F3SG-R Series User's Manual for more information.	
Test Function		Self-test (at power-on, and during operation)	
Environmental			
Ambient Temperature	Operating	-10 to 55°C (14 to 131°F) (non-icing)	
	Storage	-25 to 70°C (-13 to 158°F)	
Ambient Humidity	Operating	35% to 85% (non-condensing)	
	Storage	35% to 95%	
Ambient Illuminance		Incandescent lamp: 3,000 lx max. on receiver surface Sunlight: 10,000 lx max. on receiver surface	
Degree of Protection (IEC 60529)		IP65 and IP67	
Vibration Resistance (IEC 61496-1)		Class 3M4 (IEC TR 60721-4-3) Operation limit: 5~150 Hz, Multiple amplitude of 7 mm, Acceleration of 1G, 10 sweeps each in X, Y, and Z directions (no delay at resonant frequencies)	
Shock Resistance (IEC 61496-1)		Class 3M4 (IEC TR 60721-4-3) Operation limit: Acceleration of 15G, Pulse duration of 6 ms, 100 shocks for each in X, Y, and Z directions (600 shocks in total)	
Pollution Degree (IEC 60664-1)		Pollution Degree 3	
Connections			
Power cable	Type of Connection	M12 connectors: 4-pin, IP67 rated when mated, Cables prewired to the sensors	
	Number of Wires	Emitter: 4, Receiver: 4	
	Cable Length	0.3 m	
	Cable Diameter	6 mm	
	Minimum Bending Radius	R5 mm	

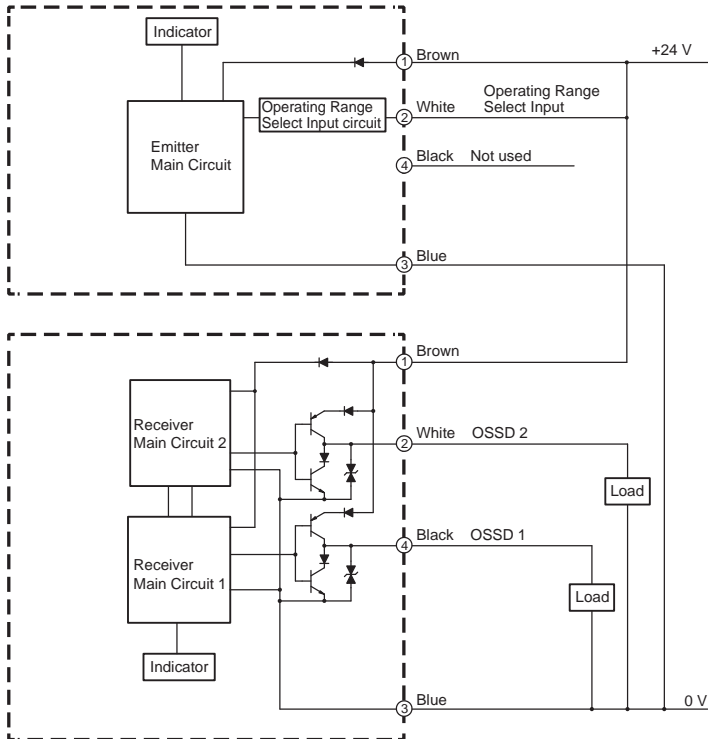
		F3SG-4RE□□□□14 F3SG-2RE□□□□14	F3SG-4RE□□□□30 F3SG-2RE□□□□30
Extension cable - Single-ended cable - Double-ended cable	Type of Connection	Use the XS5□-D42□ series cables.	
	Number of Wires		
	Cable Length		
	Cable Diameter		
	Minimum Bending Radius		
Extension of Power Cable		100 m max.(Emitter/Receiver)	
Material			
Material		Housing: Aluminium alloy Cap: PBT resin Front window: Acrylic resin Cable: Oil resistant PVC resin Standard Fixed Bracket (F39-LGF): Zinc alloy FE plate: Stainless steel	
Weight		 Refer to <i>F3SG-R Series User's Manual</i> .	
Included Accessories		<p>Safety Precautions, Quick Installation Manual, Standard Fixed Bracket*1, Troubleshooting Guide Sticker, Warning Zone Label *2</p> <p>*1. The quantity of Standard Fixed Brackets included varies depending on the protective height. [F3SG-□RA□□□□-14]/F3SG-□RE□□□□□14] - Protective height of 0160 to 1200: 2 sets - Protective height of 1280 to 2080: 3 sets [F3SG-□RA□□□□-30]/F3SG-□RE□□□□□30] - Protective height of 0190 to 1230: 2 sets - Protective height of 1310 to 2270: 3 sets - Protective height of 2350 to 2510: 4 sets</p> <p>*2. Included in the F3SG-RA series.</p>	
Conformity			
Conforming standards		 Refer to <i>F3SG-R Series User's Manual</i> .	
Performance Level (PL)/Safety category	Type 4	PL e/Category 4 (EN ISO 13849-1:2015)	
	Type 2	PL c/Category 2 (EN ISO 13849-1:2015)	
PFH _D		9.1×10 ⁻⁹ (IEC 61508)	
Proof test interval T _M		Every 20 years (IEC 61508)	
SFF		99% (IEC 61508)	
HFT		1 (IEC 61508)	
Classification		Type B (IEC 61508-2)	

6. F3SG-RE Setup Procedure Example

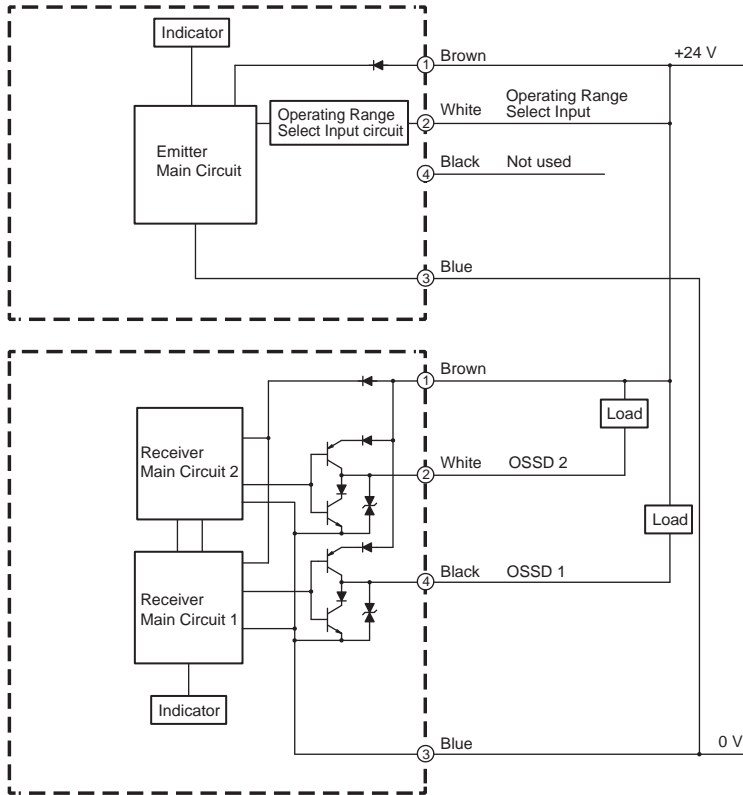


7. F3SG-RE Setup Procedure Example

■PNP Output



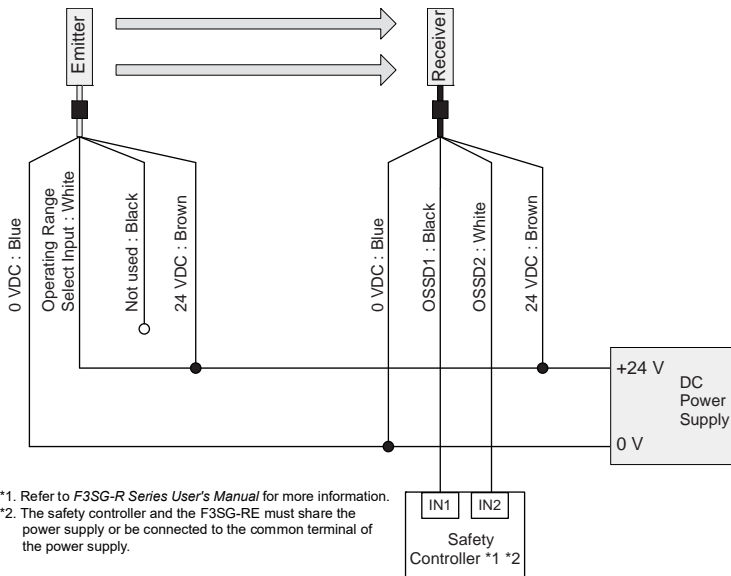
■NPN Output



8. Wiring Examples

For input/output circuit and other examples than below, refer to *Safety Light Curtain F3SG-R Series User's Manual*.

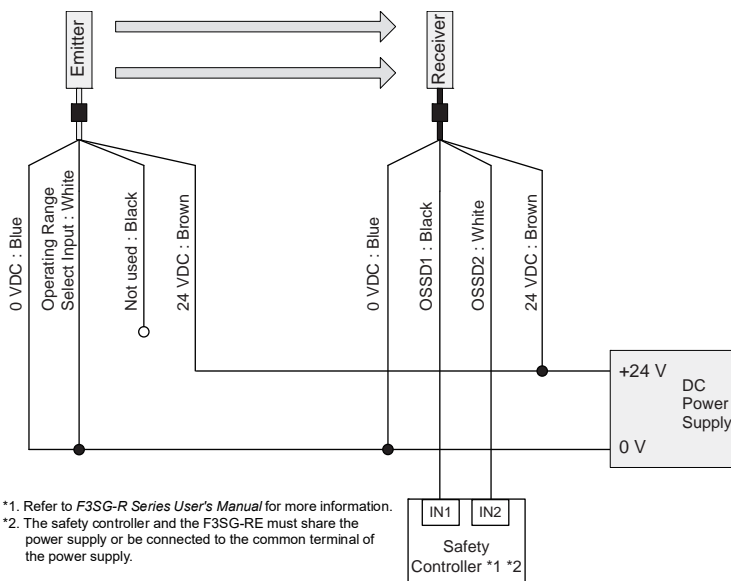
8-1. Long Mode



*1. Refer to *F3SG-R Series User's Manual* for more information.

*2. The safety controller and the F3SG-RE must share the power supply or be connected to the common terminal of the power supply.

8-2. Short Mode



*1. Refer to *F3SG-R Series User's Manual* for more information.

*2. The safety controller and the F3SG-RE must share the power supply or be connected to the common terminal of the power supply.

9. Safety Distance

The safety distance is the distance that must be set between the F3SG-R and a machine's hazardous part to stop the hazardous part before a person or object reaches it. The safety distance varies according to the standards of each country and the individual specifications of each machine. Always refer to the relevant standards.

WARNING

Make sure to secure the safety distance (S) between the F3SG-R and the hazardous part. Otherwise, the machine may not stop before a person reaches the hazardous part, resulting in serious injury.



The response time of a machine is the time period from when the machine receives a stop signal to when the machine's hazardous part stops. Measure the response time on the actual system. Also, periodically check that the response time of the machine has not changed.

9-1. Safety Distance Formulas according to ISO 13855/EN ISO 13855

Detection Zone Orthogonal to Direction of Approach

$S = K \times T + C$. . . Formula (1)

- S: Safety distance
- K: Approach speed to the detection zone
- T: Total response time of the machine and F3SG-R
- C: Additional distance calculated by the detection capability (or object resolution) of the F3SG-R

Calculation Example for Systems with a Detection Capability of 40 mm or Less

Use $K = 2,000$ mm/s and $C = 8 \times (d - 14 \text{ mm})$ in formula (1) for the calculation.

$$S = 2,000 \text{ mm/s} \times (T_m + T_s) + 8 \times (d - 14 \text{ mm})$$

- S = Safety distance (mm)
- T_m = Machine's response time (s)
- T_s = Response time of the F3SG-R from ON to OFF (s)
- d = Detection capability (or object resolution) of the F3SG-R (mm)

[Calculation example]

When $T_m = 0.05$ s, $T_s = 0.008$ s, and $d = 14$ mm:

$$S = 2,000 \text{ mm/s} \times (0.05 \text{ s} + 0.008 \text{ s}) + 8 \times (14 \text{ mm} - 14 \text{ mm}) = 116 \text{ mm} \text{ . . . Formula (2)}$$

If the result ≤ 100 mm, use $S = 100$ mm.

If the result exceeds 500 mm, use the following expression where $K = 1,600$ mm/s.

$$S = 1,600 \text{ mm/s} \times (T_m + T_s) + 8 \times (d - 14 \text{ mm}) \text{ . . . Formula (3)}$$

If the result of this formula (3) ≤ 500 mm, use $S = 500$ mm.

Calculation Example for Systems with Larger Detection Capability than 40 mm

Use $K = 1,600$ mm/s and $C = 850$ mm in formula (1) for calculation.

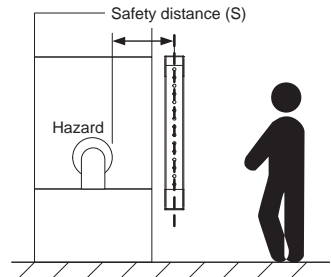
$$S = 1,600 \text{ mm/s} \times (T_m + T_s) + 850 \text{ . . . Formula (4)}$$

- S = Safety distance (mm)
- T_m = Machine's response time (s)
- T_s = Response time of the F3SG-R from ON to OFF (s)

[Calculation example]

When $T_m = 0.05$ s and $T_s = 0.008$ s:

$$S = 1,600 \text{ mm/s} \times (0.05 \text{ s} + 0.008 \text{ s}) + 850 \text{ mm} = 942.8 \text{ mm}$$



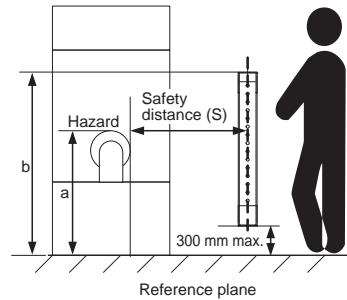
Possible Circumventing by Reaching Over the Detection Zone

If access to the hazardous zone by reaching over the detection zone of vertically mounted F3SG-R cannot be excluded, the height and the safety distance, S, of the F3SG-R shall be determined. S shall be determined by comparison of the calculated values in *Detection Zone Orthogonal to Direction of Approach*. The greater value resulting from this comparison shall be applied.

$S = (K \times T) + Cro \dots$ Formula (5)

- S: Safety distance
- K: Approach speed to the detection zone
- T: Total response time of the machine and F3SG-R
- Cro: Approach distance based on the distance which personnel can move towards the hazardous zone of a machine by reaching over the detection zone. The distance is determined in the table below based on the height of the hazardous zone, a, and the height of the upper edge of the detection zone, b.

Note: Lower edge of the detection zone above 300 mm in relation to the reference plane does not offer sufficient protection against crawling below.



First, use $K = 2,000 \text{ mm/s}$ in formula (5) for the calculation. If the result of this calculation is less than 100 mm, use $S = 100 \text{ mm}$. If the result exceeds 500 mm, use $K = 1,600 \text{ mm/s}$ to recalculate it. If the result of the recalculation is less than 500 mm, use $S = 500 \text{ mm}$.

Height of hazardous zone, a	Height of upper edge of detection zone, b											
	900	1000	1100	1200	1300	1400	1600	1800	2000	2200	2400	2600
Additional distance to hazardous zone, Cro												
2600	0	0	0	0	0	0	0	0	0	0	0	0
2500	400	400	350	300	300	300	300	300	250	150	100	0
2400	550	550	550	500	450	450	400	400	300	250	100	0
2200	800	750	750	700	650	650	600	550	400	250	0	0
2000	950	950	850	850	800	750	700	550	400	0	0	0
1800	1100	1100	950	950	850	800	750	550	0	0	0	0
1600	1150	1150	1100	1000	900	850	750	450	0	0	0	0
1400	1200	1200	1100	1000	900	850	650	0	0	0	0	0
1200	1200	1200	1100	1000	850	800	0	0	0	0	0	0
1000	1200	1150	1050	950	750	700	0	0	0	0	0	0
800	1150	1050	950	800	500	450	0	0	0	0	0	0
600	1050	950	750	550	0	0	0	0	0	0	0	0
400	900	700	0	0	0	0	0	0	0	0	0	0
200	600	0	0	0	0	0	0	0	0	0	0	0
0	0	0	0	0	0	0	0	0	0	0	0	0

Note 1. Upper edge of the detection zone below 900 mm is not included since they do not offer sufficient protection against circumventing or stepping over.

Note 2. When determining the values of this table, it shall not be interpolated. If the known values a, b or Cro are between two values of this table, the greater safety distance shall be used.

[Calculation example]

- T: $T_m + T_s$ (s)
- T_m : Machine's response time (s)
- T_s : Response time of the F3SG-R from ON to OFF (s)
- a: Height of machine hazardous zone (mm)
- b: Height of upper edge of detection zone (mm)

When $T_m = 0.05$ s, $T_s = 0.008$ s, $a = 1,400$ mm, $b = 1,500$ m:

From the table above, $C_{ro} = 850$ mm. Since b is between 1,400 mm and 1,600 mm, $b = 1,400$ mm which has the greater C_{ro} value, shall be used.


$$S = 2,000 \text{ mm/s} \times (0.05 \text{ s} + 0.008 \text{ s}) + 850 \text{ mm} = 966 \text{ mm}$$

Since 966 mm is greater than 500 mm, use $K = 1,600$ mm/s and recalculate it.

$$S = 1,600 \text{ mm/s} \times (0.05 \text{ s} + 0.008 \text{ s}) + 850 \text{ mm} = 942.8 \text{ mm}$$

Compare $S = 942.8$ mm with the calculation for Detection Zone Orthogonal to Direction of Approach, and choose the larger value as the safety distance.

For the system with a detection capability of 40 mm max., the safety distance S is 942.8 mm since this is larger than $S = 116$ mm calculated in the calculation example of Detection Zone Orthogonal to Direction of Approach. For the system with a detection capability larger than 40 mm, the safety distance S is 942.8 mm since this is the same value as $S = 942.8$ mm calculated in the calculation example of Detection Zone Orthogonal to Direction of Approach.

 Refer to *Detection Zone Orthogonal to Direction of Approach* under 9-1. *Safety Distance Formulas according to ISO 13855/EN ISO 13855*.

Detection Zone Parallel to Direction of Approach

Use $K = 1,600$ mm/s and $C = (1200 - 0.4 \times H)$ in formula (1) for calculation. Note that C must not be less than 850 mm.

$$S = 1,600 \text{ mm/s} \times (T_m + T_s) + 1200 - 0.4 \times H$$

- S = Safety distance (mm)
- T_m = Machine's response time (s)
- T_s = Response time of F3SG-R from ON to OFF (s)
- H = Installation height (mm)

Note that H must satisfy:

$$1000 \geq H \geq 15 (d - 50 \text{ mm}) \geq 0 \text{ mm}$$

Also, you must include a hazardous condition under which a person may go through under a detection zone if H exceeds 300 mm (200 mm for other purpose than industrial use) into risk assessment.

[Calculation example]

When $T_m = 0.05$ s, $T_s = 0.008$ s, and $d = 14$ mm:

$$S = 1,600 \text{ mm/s} \times (0.05 \text{ s} + 0.008 \text{ s}) + 1200 - 0.4 \times 500 \text{ mm} = 1092.8 \text{ mm}$$


When a warning zone is configured as in the figure, you must calculate L , a distance from an end of casing to a detection zone, using a formula below:

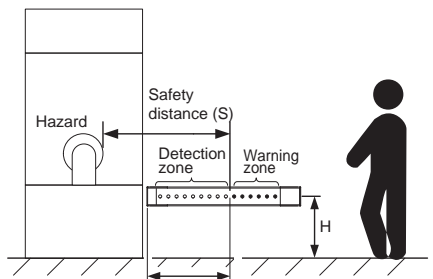
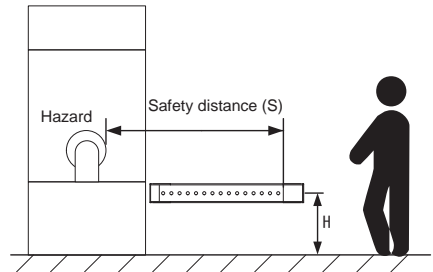
$$L = (\text{Total number of F3SG-R beams} - \text{number of warning zone beams} - 1) \times P + 10$$

P : Beam Gap (mm)

F3SG-□RA□□□□-14 . . . 10 mm

F3SG-□RA□□□□-30 . . . 20 mm

 Refer to *F3SG-R Series User's Manual* for total number of F3SG-R beams.



Distance L from casing end to detection zone

9-2. Safety Distance Formulas according to ANSI B11.19

If a person approaches the detection zone of the F3SG-R orthogonally, calculate the safety distance as shown below.

$$S = K \times (Ts + Tc + Tr + Tbm) + Dpf$$

- S: Safety distance
- K: Approach speed to the detection zone (the value recommended by OSHA standard is 1,600 mm/s) Approach speed K is not specified in the ANSI B.11.19 standard. To determine the value of K to apply, consider all factors, including the operator's physical ability.
- Ts = Machine's stopping time (s)
- Tr = Response time of the F3SG-R from ON to OFF (s)
- Tc = Machine control circuit's maximum response time required to activate its brake (s)
- Tbm = Additional time (s)

If a machine has a brake monitor, "Tbm= Brake monitor setting time - (Ts + Tc)". If it has no brake monitor, we recommend using 20% or more of (Ts + Tc) as additional time.

- Dpf = Additional distance

According to ANSI's formula, Dpf is calculated as shown below:

$$Dpf = 3.4 \times (d - 7.0): \text{Where } d \text{ is the detection capability (or object resolution) of the F3SG-R (unit: mm)}$$

[Calculation example]

When K = 1,600 mm/s, Ts + Tc = 0.06 s, brake monitor setting time = 0.1 s,

Tr = 0.008 s, and d = 14 mm:

$$Tbm = 0.1 - 0.06 = 0.04 \text{ s}$$

$$Dpf = 3.4 \times (14 - 7.0) = 23.8 \text{ mm}$$

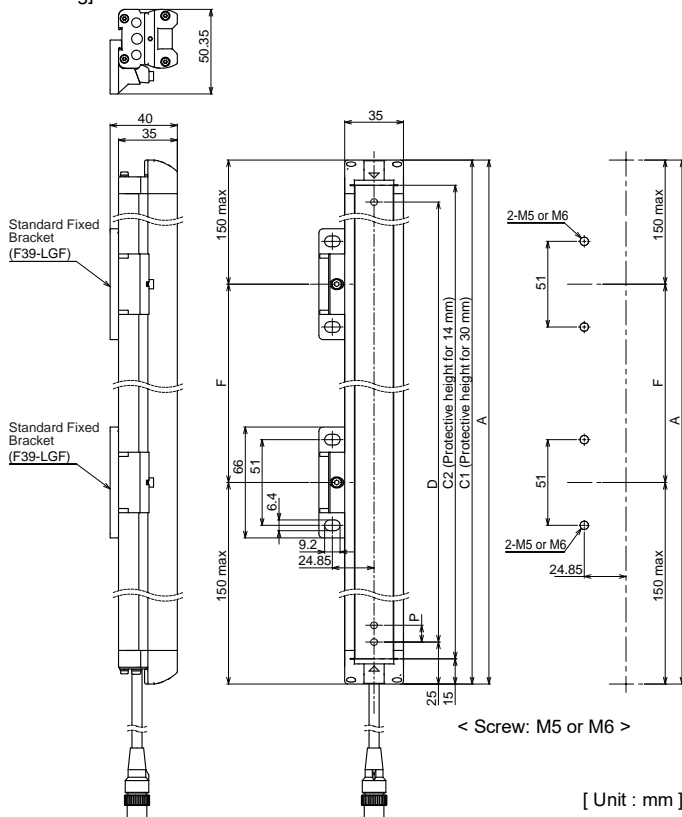
$$S = 1,600 \times (0.06 + 0.008 + 0.04) + 23.8 = 196.6 \text{ mm}$$

10. Mounting and Beam Alignment

10-1. Mounting with Standard Fixed Brackets (F39-LGF)

■ Dimensions (Check position)

[Backside mounting]



Step1

Check
position

Step2

Mount

F3SG-□RE□□□□□30 Series

Dimension A	C1
Dimension C1	4-digit number of the type name (Protective height)
Dimension D	C1-50
Dimension P	20

F3SG-□RE□□□□□14 Series

Dimension A	C2+30
Dimension C2	4-digit number of the type name (Protective height)
Dimension D	C2-20
Dimension P	10

Protective height (C1)	Number of Standard Fixed Brackets *1	Dimension F
0190 to 1230	2 *2	1000 mm max.
1310 to 2270	3	1000 mm max.
2350 to 2510	4	1000 mm max.

Protective height (C2)	Number of Standard Fixed Brackets *1	Dimension F
0160 to 1200	2 *2	1000 mm max.
1280 to 2080	3	1000 mm max.

*1. The number of brackets required to mount either one of emitter and receiver.

*2. Mounting an emitter or receiver with one bracket is possible for the models of protective height of 0160 to 0270. In this case, locate this bracket at half the Dimension A (or at the center of the sensor length).

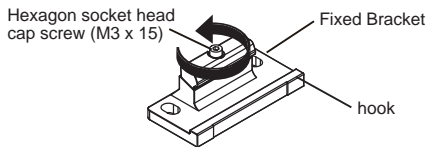
Refer to *Safety Light Curtain F3SG-R Series User's Manual* for dimensions of side mounting.

■ Mounting

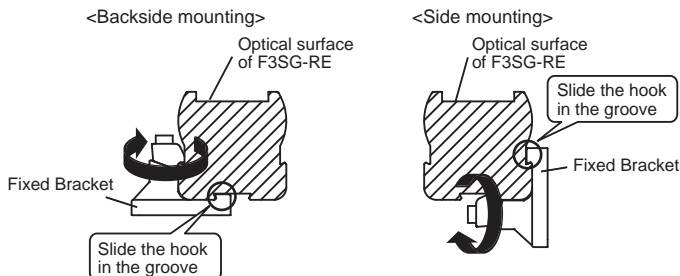
Note: Although this chapter uses the figures of the F3SG-RA series safety light curtain, the mounting procedure of the F3SG-RE series is the same as the F3SG-RA series.

1. Loosen the screw.

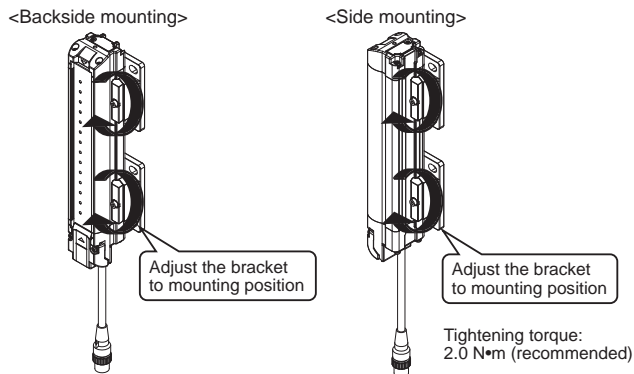
Step1
Check
position
↓
Step2
Mount



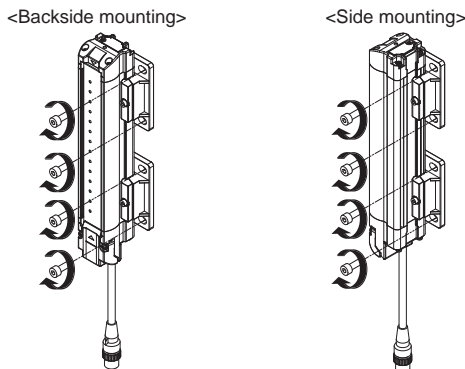
2. Lightly tighten the screw.




3. Adjust the mounting position and secure the bracket.



4. Secure the bracket to the wall.



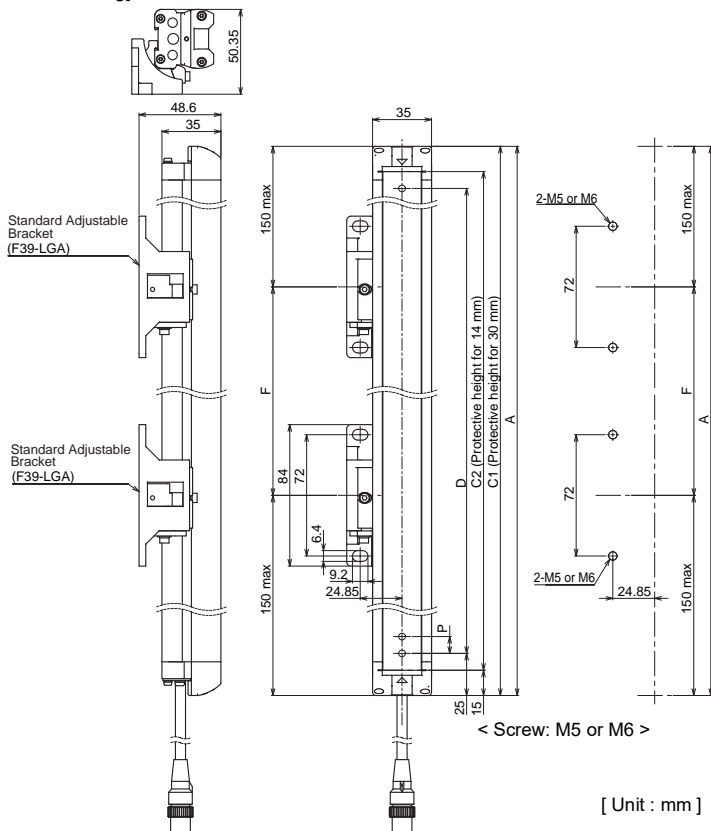
 Screws to mount the brackets to the wall are not included.



10-2. Mounting with Standard Adjustable Brackets (F39-LGA)

■ Dimensions (Check position)

[Backside mounting]



Step1

Check position



Step2

Mount



Step3

Align beams

F3SG-□RE□□□□□□30 Series

Dimension A	C1
Dimension C1	4-digit number of the type name (Protective height)
Dimension D	C1-50
Dimension P	20

F3SG-□RE□□□□□□14 Series

Dimension A	C2+30
Dimension C2	4-digit number of the type name (Protective height)
Dimension D	C2-20
Dimension P	10

Protective height (C1)	Number of Standard Adjustable Brackets *1	Dimension F
0190 to 1230	2 *2	1000 mm max.
1310 to 2270	3	1000 mm max.
2350 to 2510	4	1000 mm max.

Protective height (C2)	Number of Standard Adjustable Brackets *1	Dimension F
0160 to 1200	2 *2	1000 mm max.
1280 to 2080	3	1000 mm max.

*1. The number of brackets required to mount either one of emitter and receiver.

*2. Mounting an emitter or receiver with one bracket is possible for the models of protective height of 0160 to 0270. In this case, locate this bracket at half the Dimension A (or at the center of the sensor length).

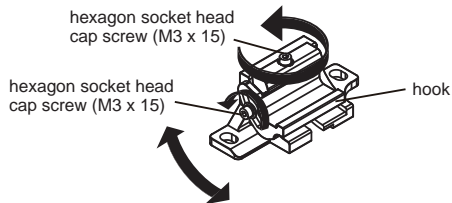


Refer to *Safety Light Curtain F3SG-R Series User's Manual* for dimensions of side mounting.

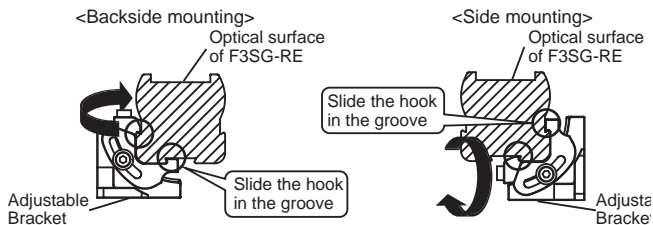
■ Mounting and Beam Alignment

Note: Although this chapter uses the figures of the F3SG-RA series safety light curtain, the mounting procedure of the F3SG-RE series is the same as the F3SG-RA series.

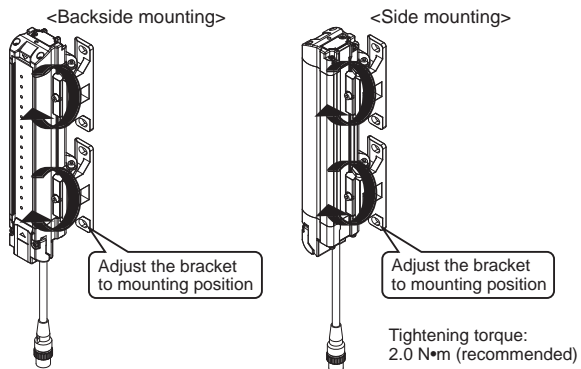
1. Loosen the screws and adjust the angle.



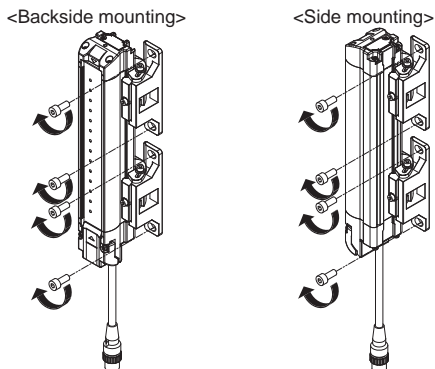
2. Lightly tighten the screw.




3. Adjust the mounting position and secure the bracket.



4. Secure the bracket to the wall.

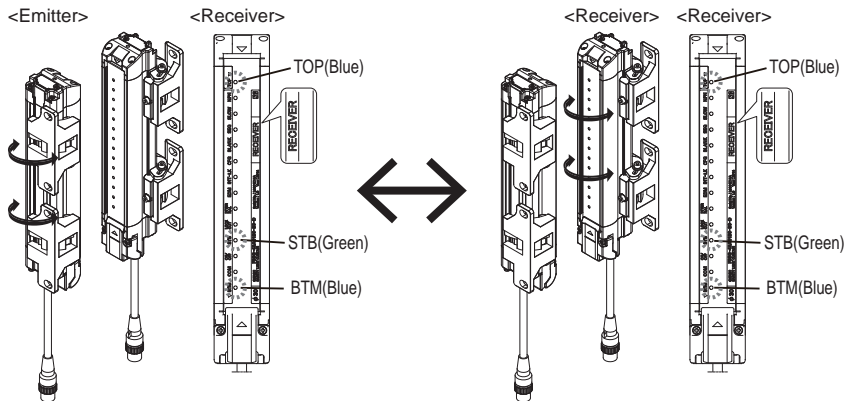


 Screws to mount the brackets to the wall are not included.

Step1
Check position
Step2
Mount
Step3
Align beams



5. Perform beam alignment according to the indicators.



Step1

Check position




Step2

Mount

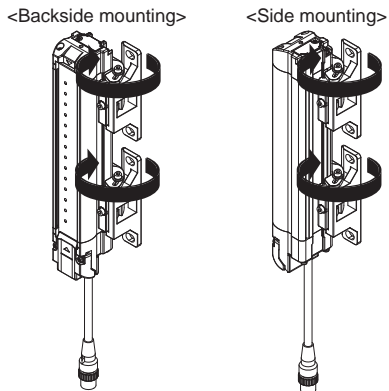


Step3

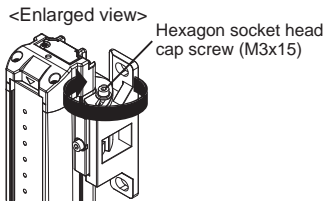
Align beams

 Angle adjustment range: $\pm 15^\circ$

6. Securely tighten the remaining screws.



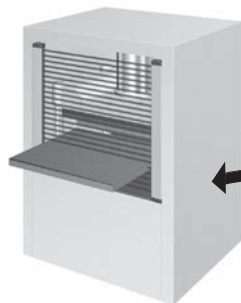
Tightening torque:
2.0 N•m (recommended)






11. Operation Check

After wiring, mounting and beam alignment are done, check the operation of the F3SG-RE. Attach the included Troubleshooting Guide Sticker nearby, if necessary.



OMRON

For more information, please refer to the following QR code.

<http://www.ia.omron.com/f3sg-r>

TROUBLESHOOTING (EN)

Checkring CRT

LED INDICATOR		MAJOR CAUSE	
LOCKOUT	INTERNAL	<input checked="" type="checkbox"/>	Error of internal circuit
Checkring	ON/OFF	<input checked="" type="checkbox"/>	Error of OSSD lines
	LONG	<input checked="" type="checkbox"/>	Error of Operating Range Select Input line
Checkring	POWER	<input checked="" type="checkbox"/>	Error of sensor
	ON/OFF, ON or INTERNAL	<input checked="" type="checkbox"/>	Error due to abnormal power supply or noise
Checkring	POWER	<input checked="" type="checkbox"/>	Error due to noise
	STOP	<input checked="" type="checkbox"/>	Error due to vibration or ambient light

B3E0202-01/02



Refer to *Safety Light Curtain F3SG-R Series User's Manual* or the web site for troubleshooting.



<http://www.ia.omron.com/f3sg-r>

Suitability for Use

Omron Companies shall not be responsible for conformity with any standards, codes or regulations which apply to the combination of the Product in the Buyer's application or use of the Product. At Buyer's request, Omron will provide applicable third party certification documents identifying ratings and limitations of use which apply to the Product. This information by itself is not sufficient for a complete determination of the suitability of the Product in combination with the end product, machine, system, or other application or use. Buyer shall be solely responsible for determining appropriateness of the particular Product with respect to Buyer's application, product or system. Buyer shall take application responsibility in all cases.

NEVER USE THE PRODUCT FOR AN APPLICATION INVOLVING SERIOUS RISK TO LIFE OR PROPERTY WITHOUT ENSURING THAT THE SYSTEM AS A WHOLE HAS BEEN DESIGNED TO ADDRESS THE RISKS, AND THAT THE OMRON PRODUCT(S) IS PROPERLY RATED AND INSTALLED FOR THE INTENDED USE WITHIN THE OVERALL EQUIPMENT OR SYSTEM.

See also Product catalog for Warranty and Limitation of Liability.

OMRON Corporation Industrial Automation Company (Manufacturer)

Shiokoji Horikawa, Shimogyo-ku, Kyoto, 600-8530 JAPAN

Contact: www.ia.omron.com

Regional Headquarters

■ OMRON EUROPE B.V. (Representative and Importer in EU)
 Wegalaan 67-69, NL-2132 JD Hoofddorp
 THE NETHERLANDS
 Tel: (31)-2356-81-300 / FAX: (31)-2356-81-388

■ OMRON ASIA PACIFIC PTE. LTD.
 No. 438A Alexandra Road # 05-05/08 (Lobby 2),
 Alexandra Technopark,
 Singapore 119967
 Tel: (65) 6835-3011 / Fax: (65) 6835-2711

■ OMRON SCIENTIFIC TECHNOLOGIES INC.
 6550 Dumbarton Circle
 Fremont, CA 94555 U.S.A.
 Tel: (1) 510-608-3400 / Fax: (1) 510-744-1442

■ OMRON (CHINA) CO., LTD.
 Room 2211, Bank of China Tower,
 200 Yin Cheng Zhong Road,
 PuDong New Area, Shanghai, 200120, China
 Tel: (86) 21-5037-2222 / Fax: (86) 21-5037-2200

In the interest of product improvement, specifications are subject to change without notice.

セーフティライトカーテン F3SG-□RE シリーズ



<http://www.ia.omron.com/f3sg-r>

JA クイックインストールマニュアル



マニュアル名称	マニュアル番号
セーフティライトカーテン F3SG-R シリーズ ユーザーズマニュアル	SGFM-712

はじめに

このたびはセーフティライトカーテン形 F3SG- □ RE シリーズ（以下 F3SG-RE と呼びます）をお買い上げいただき、ありがとうございます。

本書は F3SG-RE の設置についての簡易説明書です。

F3SG-RE の取扱説明書の全文は下記の当社ウェブサイトよりダウンロードしてください。

<http://www.ia.omron.com/f3sg-r>

目次

1. 使用上の注意	2
2. 同梱物のご確認	2
3. 各部の名称	3
4. LED 表示灯	3
4-1. LED 表示灯の名称および点灯パターン	4
5. 定格 / 性能	5
6. ライトカーテンセットアップ手順例	8
7. 入出力回路	9
8. 配線例	11
8-1. ロングモード	11
8-2. ショートモード	11
9. 安全距離	12
9-1. ISO 13855/EN ISO 13855 による安全距離の計算式	12
9-2. ANSI B11.19 による安全距離の計算式	15
10. 取り付け・光軸調整	16
10-1. 標準固定金具（形 F39-LGF）を取りつける場合	16
10-2. 標準調整金具（形 F39-LGA）を取りつける場合	18
11. 動作チェック	21
ご承諾事項 / お問い合わせ先	21

1. 使用上の注意

製品が動作不能、誤動作、または性能・機器への悪影響を防ぐため、以下のことを守ってください。

■保管・設置環境について

- ・次のような場所には保管・設置しないでください。
-仕様で定められる以上の温度、湿度での長時間の保管、使用
- ・本製品はクラス A 機器です。家庭用環境において、本製品は電波障害を起こすことがあります。この場合は、責任者が十分な対策を講じてください。

■配線・取り付けについて

- ・すべての端子の信号名を確認し、正しく配線してください。
- ・電源投入後に検出エリアに何も無い状態とし、安定入光表示灯が点灯することを確認してください。
- ・制御システムは、F3SG-Rの電源投入後2秒以上経過してから作動させてください。
- ・市販のスイッチングレギュレータを使用する場合、PE(保護接地端子)を接地してください。
- ・投光器と受光器の上下方向を合わせて設置してください。
- ・外形寸法図にしたがい、規定の数量、および位置で金具をご使用ください。ご使用されない場合、定格/性能を満たすことができません。
- ・強い高周波ノイズを発生する機器から離して設置してください。あるいは遮蔽対策を十分に行ってください。
- ・他の機器と電源を共用することによってノイズの影響や電圧降下などの影響を受ける可能性があります。他の機器と電源を共用せず、安全コンポ専用の電源とすることを推奨します。

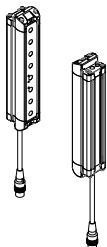
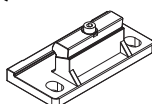
■清掃について


- ・シンナー、ベンジン、アセトン類は、樹脂部材やケース塗装を溶かしますので、使用しないでください。
- ・溶剤などは使用せず、乾いた布または水で濡らした柔らかい布で拭いてください。

■検出体について

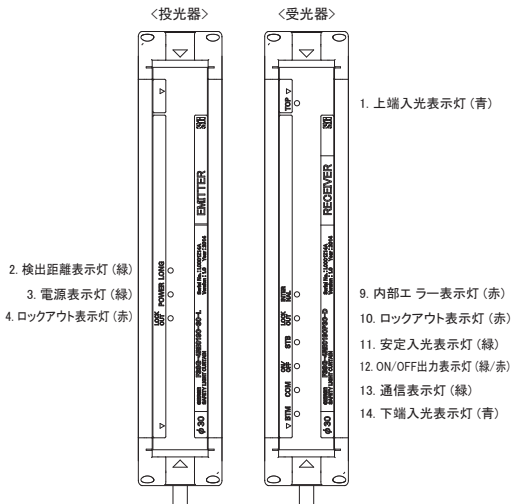
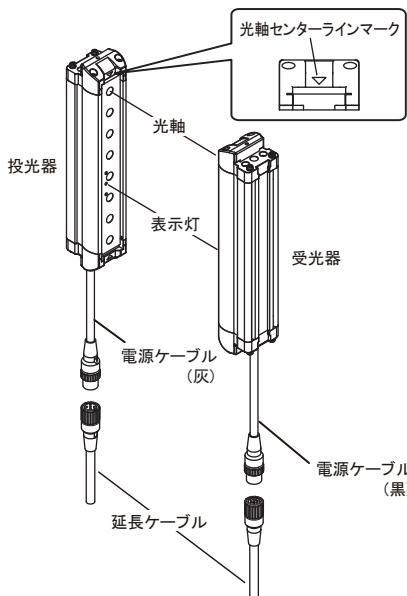
透明体、半透明体は検出できません。

2. 同梱物のご確認

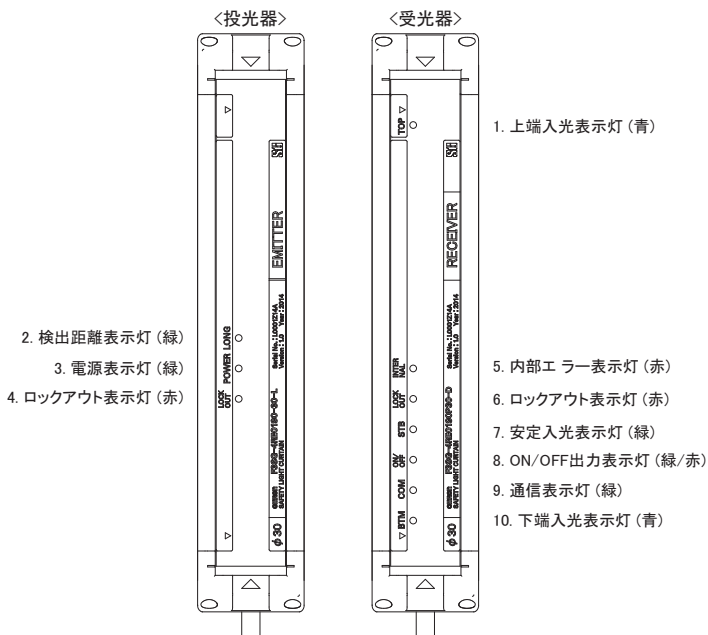
製品	数量
セーフティライトカーテン 形F3SG-4RE□□□□□□□□本体 	投光器×1、受光器×1
標準固定金具 	同梱される金具の数量はF3SG-REの検出幅によって異なります。 1,280mm未満: 2セット 1,280mm以上2,270mm以下: 3セット 2,350mm以上2,510mm以下: 4セット
トラブルシューティングステッカ	1
安全上のご注意	4
クイックインストールマニュアル	3

 定格/性能、入出力回路、LED表示灯の点灯パターン、トラブルシューティングについては、F3SG-Rシリーズユーザーズマニュアルを参照してください。

3. 各部の名称



4. LED 表示灯



4-1. LED 表示灯の名称および点灯パターン

工場出荷時の F3SG-R の LED 表示灯の名称および表示状態を下記に示します。

投光器

位置	表示名		表示色	点灯	点滅
2	検出距離	LONG	緑	検出距離変更機能がロングモードのときに点灯	DIP-SW設定エラーまたは検出距離変更設定エラーのロックアウトのときに点滅
3	電源	POWER	緑	投光器の電源が投入されているときに点灯	ノイズによる異常のときに点滅
4	ロックアウト	LOCKOUT	赤	-	投光器側のロックアウトのときに点滅

受光器

位置	表示名		表示色	点灯	点滅
1	上端入光	TOP	青	最上端の光軸が入光しているときに点灯	ミューティング/オーバーライド中、またはキャップエラー、他のセンサエラーのロックアウトのときに点滅(*3)
5	内部エラー	INTERNAL	赤	-	内部エラーのロックアウト、電源電圧異常またはノイズによる異常のときに点滅
6	ロックアウト	LOCKOUT	赤	-	受光器側のロックアウトのときに点滅
7	安定入光	STB	緑	入光量が出力ONしきい値の170%以上のときに点灯	外乱光や振動の影響で制御出力が瞬間的にOFFしたときに点滅
8	ON/OFF出力	ON/OFF	緑	制御出力がONのときに点灯	-
			赤	制御出力がOFFのときに点灯	制御出力エラーのロックアウト、電源電圧異常またはノイズによる異常のときに点滅
9	通信	COM	緑	投受光器間の通信が成立したときに点灯	通信エラーのロックアウト、電源電圧異常またはノイズによる異常のときに点滅
10	下端入光	BTM	青	最下端の光軸が入光しているときに点灯	ミューティング/オーバーライド中、またはDIPスイッチ設定エラーのロックアウトのときに点滅(*3)


*1外部リレーモニタ機能使用時の配線、未使用時の配線にかかわらずリセット入力に入力がある場合点灯します。


*2点滅の詳細については、F3SG-Rシリーズユーザーズマニュアルを参照してください。

5. 定格 / 性能

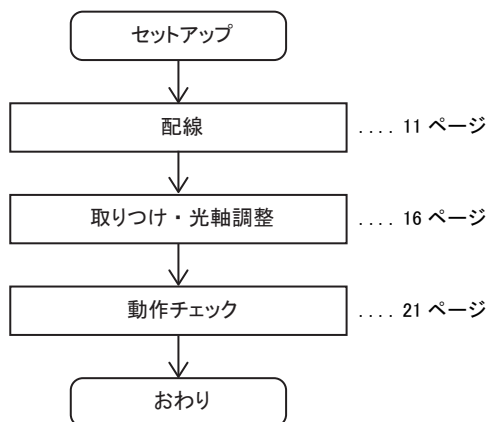
形式中の□□□□には、検出幅 (mm) が 4 桁の数字で入ります。

		F3SG-4RE□□□□14	F3SG-4RE□□□□30
性能			
最小検出物体直径	不透明		
		φ 14mm	φ 30mm
光軸ピッチ	10mm		20mm
光軸数	15~207光軸		8~124光軸
レンズサイズ	5.2 × 3.4 (W × H) mm		φ 7mm
検出幅	160~2,080mm		190~2,510mm
検出距離	ロング	0.3~10.0m	0.3~20.0m
	ショート	0.3~3.0m	0.3~7.0m
応答時間	ON → OFF	5~15ms	
	OFF → ON	25~75ms	
	*1. 単体または連結時の応答時間。  詳細はF3SG-Rシリーズユーザーズマニュアルを参照してください。 *2. 設定ツールで選択可能。		
有効開口角 (EAA) (IEC 61496-2)	投光器、受光器とも検出距離3m以上の時±2.5° 以下		
光源	赤外LED (波長870nm)		
電源投入後立ち上がり時間	2s以下		
電氣的仕様			
電源電圧 (Vs)	SELV/PELV 24 VDC±20% (リップルp-p10%以下)		
消費電流	 F3SG-Rシリーズユーザーズマニュアルを参照してください。		
制御出力 (OSSD)	F3SG-4RE□□□□P□□: PNP ランジスタ2出力 F3SG-4RE□□□□N□□: NPN ランジスタ2出力		
	負荷電流300mA以下、残留電圧2V以下 (ケーブル延長による電圧降下を除く)、容量負荷 1 μF以下、誘導負荷2H以下。*1 漏れ電流1mA以下 (PNP)、2mA以下 (NPN) *2 *1. 誘導性負荷の値は、制御出力が頻繁にON/OFFを繰り返す場合の最大値です。制御出力を4Hz以下で使用する場合は、使用できる誘導性負荷の値が大きくなります。 *2. 追加でコンデンサなどの容量性負荷を含む素子を接続する場合に考慮していただく値です。		
出力動作モード	制御出力	入光時ON	
入力電圧	リセット入力 (外部リレーモニター入力)	検出距離選択入力: ロング: 9V~Vs (短絡電流 約2.5mA)* ショート: 0~1.5Vまたはオープン (短絡電流約2.0mA)	
	ミュート入力A/B	検出距離選択入力オープン状態の時はロングモードになります。	
	テスト入力		
		*ここでのVsとは使用環境での電源電圧値です。	
過電圧カテゴリ (IEC 60664-1)	II		
表示灯	 4. LED表示灯を参照してください。		
保護回路	出力負荷短絡保護、電源逆接続保護		
絶縁抵抗	20MΩ以上 (DC500 V メガにて)		

		F3SG-4RE□□□□□14	F3SG-4RE□□□□□30
耐電圧		AC1,000V、50/60Hz、1分	
機能仕様			
相互干渉防止機能（スキャンコード）		 詳細はF3SG-Rシリーズユーザーズマニュアルを参照してください。	
テスト機能		セルフテスト（電源投入時および通電時）	
環境仕様			
周囲温度	動作時	-10～55°C（ただし氷結しないこと）	
	保存時	-25～70°C	
周囲湿度	動作時	35～85%RH（ただし結露しないこと）	
	保存時	35～95%RH	
使用周囲照度		白熱ランプ：受光面照度3,000 lx以下 太陽光：受光面照度10,000 lx以下	
保護構造(IEC 60529)		IP65およびIP67	
耐振動 (IEC 61496-1)		Class 3M4 (IEC TR 60721-4-3) 誤動作：5～150Hz、複振幅7mm、加速度1G、X、Y、Z各方向10掃引（共振周波数での遅延なし）	
耐久衝撃 (IEC 61496-1)		Class 3M4 (IEC TR 60721-4-3) 誤動作：加速度15G、パルス時間6ms、X、Y、Z各方向100回（合計600回）	
汚染度 (IEC 60664-1)		汚染度3	
接続仕様			
電源ケーブル	接続方式	M12コネクタ：4ピン、かん合時IP67等級、ブリワイヤタイプ	
	芯数	投光器側：4芯、受光器側：4芯	
	ケーブル長	0.3m	
	ケーブル径	6mm	
	許容曲げR	R5mm	
延長ケーブル - 片側コネクタケーブル - 両側コネクタケーブル	接続方式	XS5□-D42□シリーズをご使用ください。	
	芯数		
	ケーブル長		
	ケーブル径		
許容曲げR			
電源ケーブル延長		最大100m（投光器側/受光器側）	
材質			
材質		筐体：アルミニウム合金 キャップ：PBT樹脂 光学カバー：アクリル樹脂 ケーブル：耐油性PVC樹脂 標準固定金具（形F39-LGF）：亜鉛合金 FEプレート：ステンレス	
質量		 F3SG-Rシリーズユーザーズマニュアルを参照してください。	

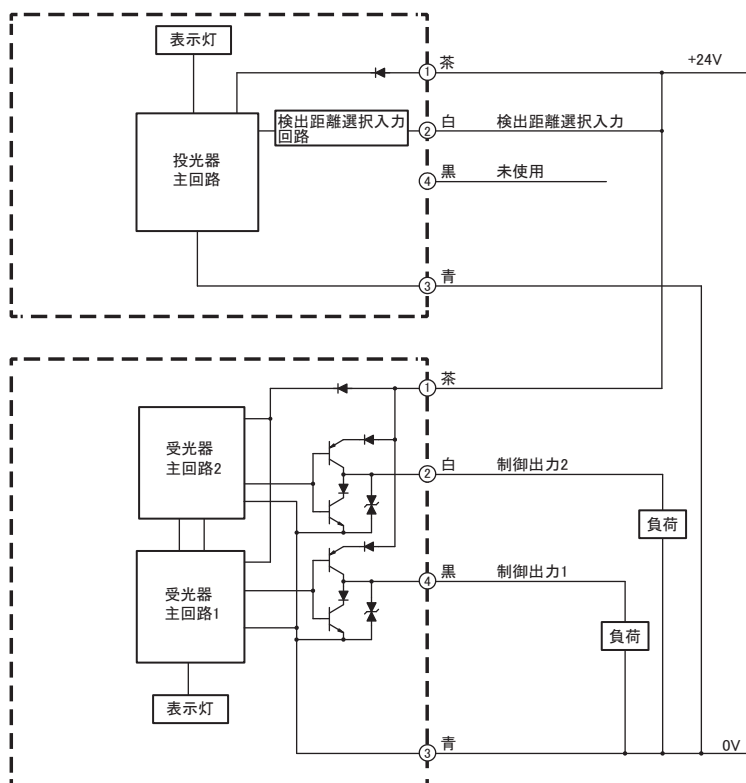
	F3SG-4RE□□□□□14	F3SG-4RE□□□□□30
付属品	<p>安全上のご注意、クイックインストールマニュアル、標準固定金具*1、トラブルシューティングステッカ、警告エリアラベル*2</p> <p>*1. 同梱される標準固定金具の数量は検出幅によって異なります。 [F3SG-4RA□□□□□14]/F3SG-4RE□□□□□14 - 検出幅0160~1200: 2セット - 検出幅1280~2080: 3セット [F3SG-4RA□□□□□30]/F3SG-4RE□□□□□30 - 検出幅0190~1230: 2セット - 検出幅1310~2270: 3セット - 検出幅2350~2510: 4セット</p> <p>*2. F3SG-RAシリーズのみ。</p>	
規格適合		
適合規格	 F3SG-Rシリーズユーザーズマニュアルを参照してください。	
ESPEタイプ (IEC 61496-1)	タイプ4	
パフォーマンスレベル (PL)/安全カテゴリ	PL e/安全カテゴリ 4 (EN ISO 13849-1:2015)	
PFH _D	9.1 × 10 ⁻⁹ (IEC 61508)	
ブルーテスト間隔T _M	20年 (IEC 61508)	
SFF	99% (IEC 61508)	
HFT	1 (IEC 61508)	
分類	タイプB (IEC 61508-2)	

6. ライトカーテンセットアップ手順例

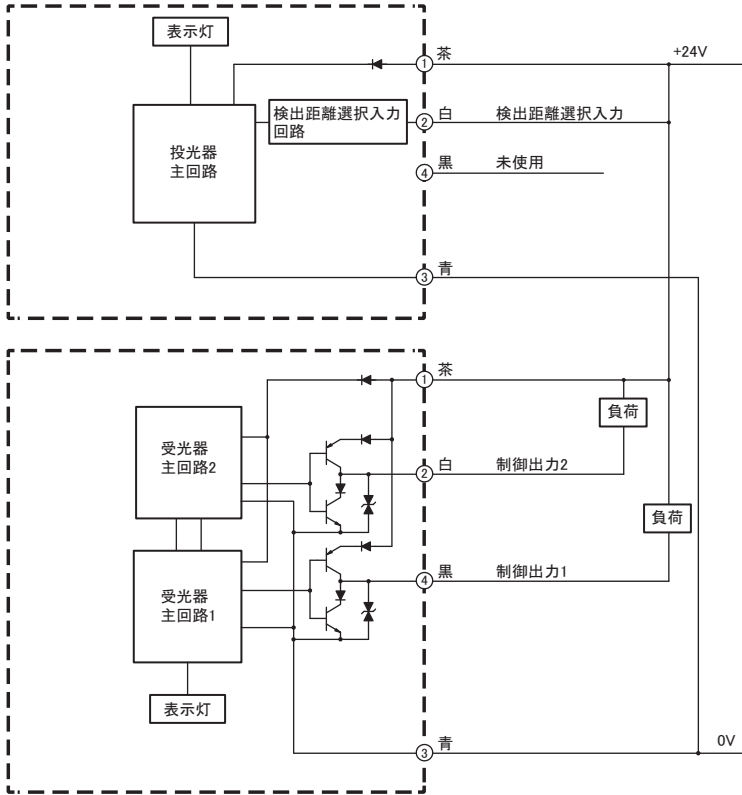


7. 入出力回路


■ PNP 出力



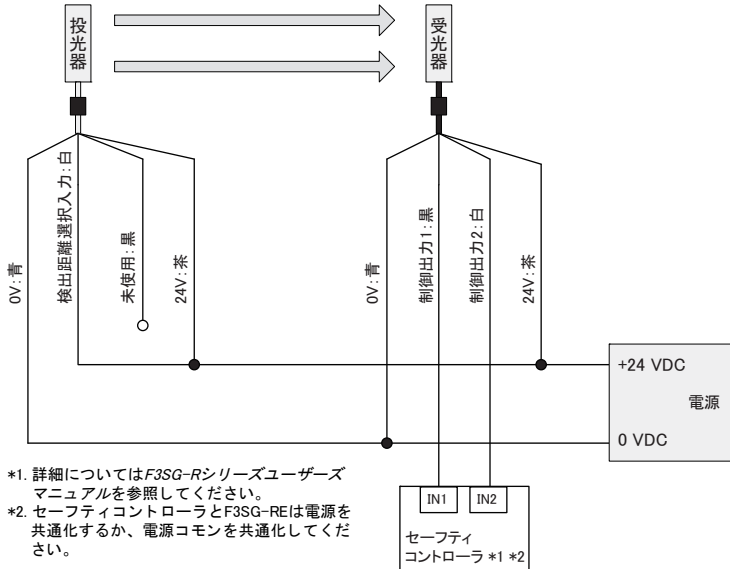
■ NPN 出力



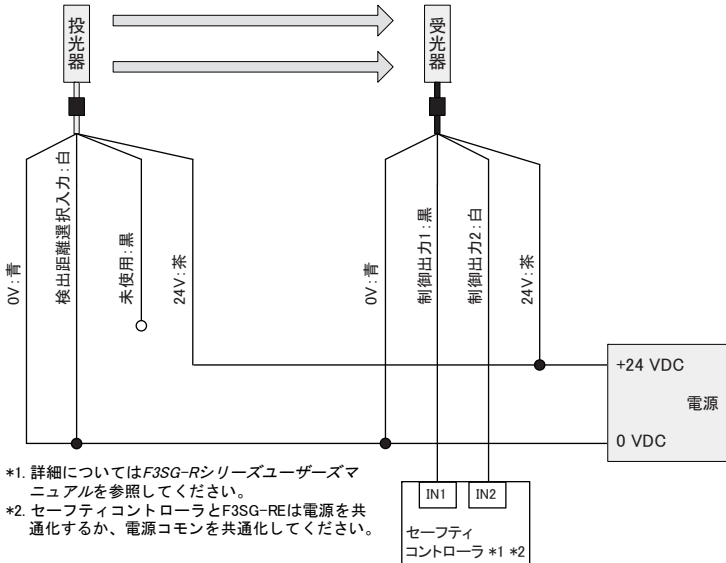
8. 配線例

 入出力回路および下記以外の配線については、F3SG-Rシリーズユーザーズマニュアルを参照してください。

8-1. ロングモード



8-2. ショートモード




9. 安全距離

安全距離とは、人体や物体が機械の危険部に到達する前に危険部を停止させるため、F3SG-Rと危険部が最下限離されなければならない距離のことです。安全距離は各国の規格や機械の個別規格によって異なります。必ず関連規格を参照してください。



F3SG-Rと危険部の間には、必ず安全距離(S)を確保してください。機械の危険部に到達する前に機械が止まらず、重傷を負う恐れがあります。



 機械の応答時間とは、機械が停止信号を受信してから機械の危険部が停止するまでの時間です。機械の応答時間は実機で測定してください。また、機械の応答時間に変化がないかどうか、定期的に確認してください。

9-1. ISO 13855/EN ISO 13855 による安全距離の計算式

検出エリアが進入方向と直交する場合

$S=K \times T + C \cdots (1) \text{ 式}$

- ・ S: 安全距離
- ・ K: 検出エリアへの侵入速度
- ・ T: 機械と F3SG-R の合計応答時間
- ・ C: F3SG-R の最小検出物体から計算された追加距離

最小検出物体 ≤ 40mm のシステムの計算例

$K=2,000\text{mm/s}$ 、 $C=8 \times (d - 14\text{mm})$ として、(1) 式を使用して計算します。

$S=2,000\text{mm/s} \times (T_m + T_s) + 8 \times (d - 14\text{mm})$

- ・ S= 安全距離 (mm)
- ・ T_m = 機械の応答時間 (s)
- ・ T_s =F3SG-R の ON → OFF への応答時間 (s)
- ・ d=F3SG-R の最小検出物体 (mm)

[計算例]

$T_m=0.05\text{s}$ 、 $T_s=0.008\text{s}$ 、 $d=14\text{mm}$ のとき :

$S=2,000\text{mm/s} \times (0.05\text{s} + 0.008\text{s}) + 8 \times (14\text{mm} - 14\text{mm})$
 $=116\text{mm} \cdots (2) \text{ 式}$

この計算結果が^g100mm 未満の場合は、 $S=100\text{mm}$ とします。

計算結果が 500mm を越える場合は、 $K=1,600\text{mm/s}$ とした次の式で再計算します。

$S=1,600\text{mm/s} \times (T_m + T_s) + 8 \times (d - 14\text{mm}) \cdots (3) \text{ 式}$

上記 (3) 式の計算結果が 500mm 未満の場合は、 $S=500\text{mm}$ とします。

最小検出物体直径が 40mm より大きいシステムの計算例

$K=1,600\text{mm/s}$ 、 $C=850\text{mm}$ として、(1) 式を使用して計算します。

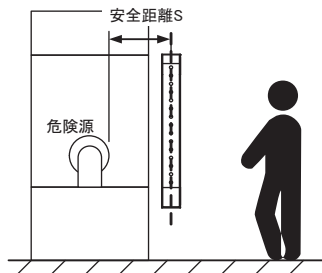
$S=1,600\text{mm/s} \times (T_m + T_s) + 850 \cdots (4) \text{ 式}$

- ・ S= 安全距離 (mm)
- ・ T_m = 機械の応答時間 (s)
- ・ T_s =F3SG-R の ON → OFF への応答時間 (s)

[計算例]

$T_m=0.05\text{s}$ 、 $T_s=0.008\text{s}$ のとき :

$S=1,600\text{mm/s} \times (0.05\text{s} + 0.008\text{s}) + 850\text{mm}$
 $=942.8\text{mm}$



検出エリアの上方を越えて迂回する接近の場合

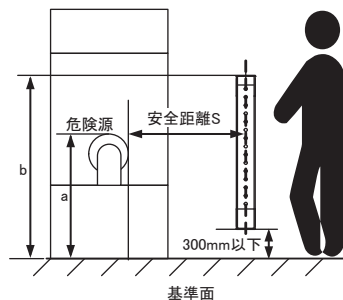
垂直に設置した F3SG-R の検出エリアの上方を越えて機械の危険部に接近することを防ぐことができない場合、これを考慮して F3SG-R の高さおよび安全距離 S を決定する必要があります。下記の式で計算した安全距離 S と検出エリアが進入方向と直交する場合 で計算した安全距離 S を比較して、より大きな値を安全距離 S としなければなりません。

$$S = (K \times T) + Cro \dots (5) \text{ 式}$$

- ・ S: 安全距離
- ・ K: 検出エリアへの侵入速度
- ・ T: 機械と F3SG-R の合計応答時間
- ・ Cro: 検出エリアの上方を越えて機械の危険部に人体が接近できる距離に基づいた侵入距離。機械の危険部の高さ a と検出エリア上端の高さ b により、下表から決まります。

注. 検出エリア下端が基準面から 300mm を超える場合は、検出エリアの下をくぐる接近に対して十分な保護ができません。

まず K=2,000mm/s として、(5) 式を使用して計算します。この計算結果が 100mm 未満の場合は、S=100mm とします。
この計算結果が 500mm を超える場合は、K=1,600mm/s として、再計算します。この計算結果が 500mm 未満の場合は、S=500mm とします。



機械の危険部の高さ a	検出エリア上端の高さ b											
	900	1000	1100	1200	1300	1400	1600	1800	2000	2200	2400	2600
	侵入距離 Cro											
2600	0	0	0	0	0	0	0	0	0	0	0	0
2500	400	400	350	300	300	300	300	300	250	150	100	0
2400	550	550	550	500	450	450	400	400	300	250	100	0
2200	800	750	750	700	650	650	600	550	400	250	0	0
2000	950	950	850	850	800	750	700	550	400	0	0	0
1800	1100	1100	950	950	850	800	750	550	0	0	0	0
1600	1150	1150	1100	1000	900	850	750	450	0	0	0	0
1400	1200	1200	1100	1000	900	850	650	0	0	0	0	0
1200	1200	1200	1100	1000	850	800	0	0	0	0	0	0
1000	1200	1150	1050	950	750	700	0	0	0	0	0	0
800	1150	1050	950	800	500	450	0	0	0	0	0	0
600	1050	950	750	550	0	0	0	0	0	0	0	0
400	900	700	0	0	0	0	0	0	0	0	0	0
200	600	0	0	0	0	0	0	0	0	0	0	0
0	0	0	0	0	0	0	0	0	0	0	0	0

注1. 迂回またはまたぎに対して十分な保護を提供しないため、検出エリア上端の高さが900mm未満の場合は含まれていません。
注2. 表の値を補間してはいけません。a、bまたはCroが上表の2つの値の間にある場合、安全距離Sがより大きくなる値を使用してください。

[計算例]

- ・ T: Tm + Ts (s)
- ・ Tm: 機械の応答時間 (s)
- ・ Ts: F3SG-R の ON → OFF への応答時間 (s)
- ・ a: 機械の危険部の高さ (mm)
- ・ b: 検出エリア上端の高さ (mm)

$T_m=0.05s$, $T_s=0.008s$, $a=1,400mm$, $b=1,500mm$ のとき :

上表より、 $C_{ro}=850mm$ です。 b が $1,400mm$ と $1,600mm$ の間にあるため、 C_{ro} の値の大きい $b=1,400mm$ を使います。

$$S=2,000mm/s \times (0.05s + 0.008s) + 850mm = 966mm$$

966mm は 500mm を超えるため、 $K=1,600mm/s$ として再計算します。

$$S=1,600mm/s \times (0.05s + 0.008s) + 850mm = 942.8mm$$

この式で計算した $S=942.8mm$ と、検出エリアが進入方向と直交する場合の計算結果とを比較し、より大きい計算結果を安全距離とします。

最小検出物体直径が 40mm 以下のシステムの計算例の場合、検出エリアが進入方向と直交する場合の計算結果 $S=116mm$ より大きいため、安全距離は $S=942.8mm$ となります。

最小検出物体直径が 40mm より大きいシステムの計算例の場合、検出エリアが進入方向と直交場合の計算結果 $S=942.8mm$ と同じため、安全距離は $S=942.8mm$ となります。

 9-1. ISO 13855/EN ISO 13855による安全距離の計算式 検出エリアが進入方向と直交する場合

検出エリアが進入方向と平行な場合

$K=1,600mm/s$ 、 $C=(1200-0.4 \times H)$ として (1) 式を使用して計算します。

ただし C は 850mm 未満にならないようにしてください。

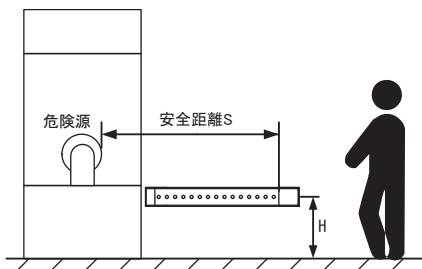
$$S=1,600mm/s \times (T_m + T_s) + 1200 - 0.4 \times H$$

- ・ S = 安全距離 (mm)
- ・ T_m = 機械の応答時間 (s)
- ・ T_s = F3SG-R の ON → OFF への応答時間 (s)
- ・ H = F3SG-R の設置高さ (mm)

ただし H は以下の式を満たすようにしてください。

$$1000 \geq H \geq 15(d - 50mm) \geq 0mm$$

また、 H が 300mm(工業目的以外では 200mm) を超えると検出エリアの下をくぐりぬける可能性があることをリスクアセスメントに考慮する必要があります。



[計算例]


$T_m=0.05s$, $T_s=0.008s$, $d=14mm$ のとき :

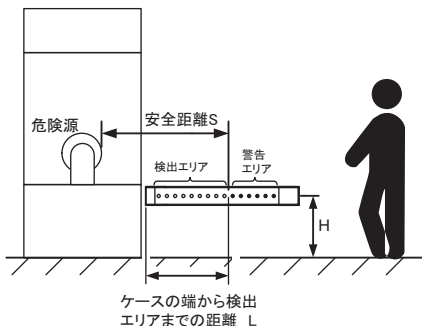
$$S=1,600mm/s \times (0.05s + 0.008s) + 1200 - 0.4 \times 500mm = 1092.8mm$$

警告エリアを図のように設定している場合はケースの端から検出エリアまでの距離 L を以下の式から計算してください。

$$L = (F3SG-R \text{ の総光軸数} - \text{警告エリアの光軸数} - 1) \times P + 10$$

- ・ P : 光軸ピッチ (mm)
- F3SG-4RA □□□□ -14・・・10mm
- F3SG-4RA □□□□ -30・・・20mm

 F3SG-Rの合計光軸数については、F3SG-Rシリーズユーザーズマニュアルを参照してください。



ケースの端から検出エリアまでの距離 L

9-2. ANSI B11.19 による安全距離の計算式

人体が F3SG-R の検出エリアに対して垂直に侵入する場合、安全距離は次に示す考え方によって計算されます。

$$S=K \times (T_s+T_c+T_r+T_{bm})+D_{pf}$$

・ S: 安全距離

・ K: 検出エリアへの侵入速度 (OSHA 規格による推奨値は 1,600mm/s)

侵入速度 K は、ANSI B.11.19 規格では定義されていません。適用する K の値を決定する際には、オペレータの身体能力を含むあらゆる要因を考慮してください。

・ T_s = 機械の停止時間 (s)

・ T_r =F3SG-R の ON → OFF への応答時間 (s)

・ T_c = 機械のブレーキを作動させるのに要する機械制御回路の最大応答時間 (s)

・ T_{bm} = 追加時間 (s)

機械がブレーキモニタを備えている場合は、「 T_{bm} = ブレーキモニタ設定時間 - (T_s+T_c)」となります。ブレーキモニタを備えていない場合は (T_s+T_c) の 20% 以上を追加時間とすることを推奨します。

・ D_{pf} = 追加距離

ANSI の公式では、 D_{pf} の算出は以下ようになります。

$D_{pf}=3.4 \times (d - 7.0)$: ここで d は F3SG-R の最小検出物体 (単位: mm)

[計算例]

$K=1,600\text{mm/s}$ 、 $T_s + T_c=0.06\text{s}$ 、ブレーキモニタ設定時間 =0.1s、

$T_r=0.008\text{s}$ 、 $d=14\text{mm}$ のとき :

$T_{bm}=0.1 - 0.06=0.04\text{s}$

$D_{pf}=3.4 \times (14 - 7.0)=23.8\text{mm}$

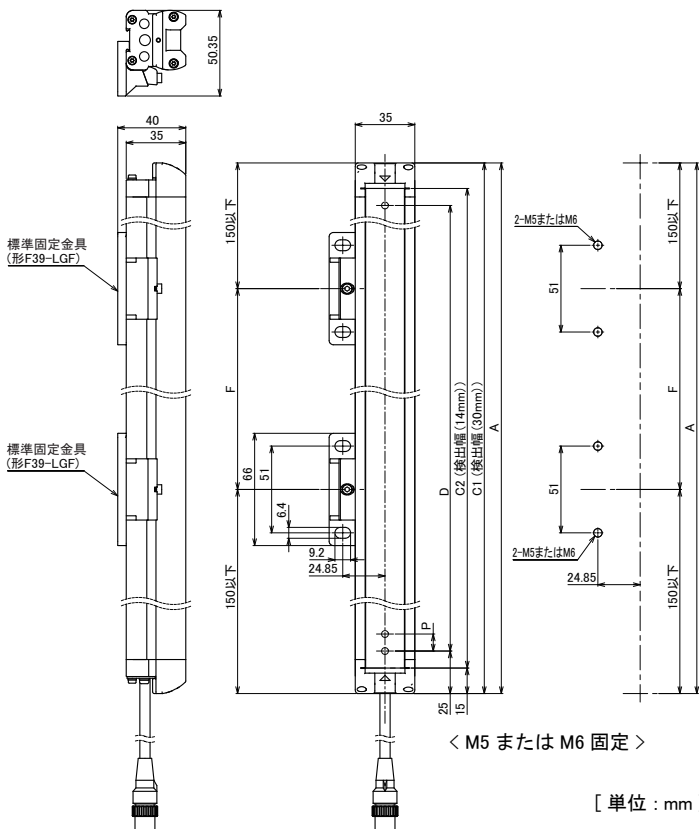
$S=1,600 \times (0.06+0.008+0.04) + 23.8=196.6\text{mm}$

10. 取り付け・光軸調整

10-1. 標準固定金具（形 F39-LGF）を取りつける場合

■外形寸法図（取り付け位置確認）

[背面取り付け時]



形 F3SG-4RE □□□□□ 30 シリーズ

寸法A	C1
寸法C1	形式中の4桁の数字（検出幅）
寸法D	C1-50
寸法P	20

形 F3SG-4RE □□□□□ 14 シリーズ


寸法A	C2+30
寸法C2	形式中の4桁の数字（検出幅）
寸法D	C2-20
寸法P	10

検出幅(C1)	標準固定金具の数 *1	寸法F
0190~1230	2 *2	1000mm以下
1310~2270	3	1000mm以下
2350~2510	4	1000mm以下

検出幅(C2)	標準固定金具の数 *1	寸法F
0160~1200	2 *2	1000mm以下
1280~2080	3	1000mm以下

*1. センサ側(投光器または受光器)の取り付けに必要な数量です。

*2. 検出幅が0160~0270の場合、センサ側につき1個でも取り付け可能です。この場合、寸法Aの2分の1の位置(センサ縦方向の中央)に本金具を取り付けてください。

 側面取り付け時の外形寸法図については、F3SG-Rシリーズユーザーズマニュアルを参照してください。

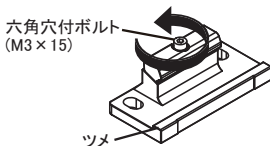
■取り付け方法

以降に示す取り付け手順は F3SG-RA シリーズの図を使用していますが、F3SG-RE シリーズの取り付け手順も同様です。

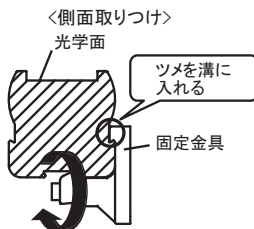
1. ボルトを緩めます。

Step1
取り付け
位置確認

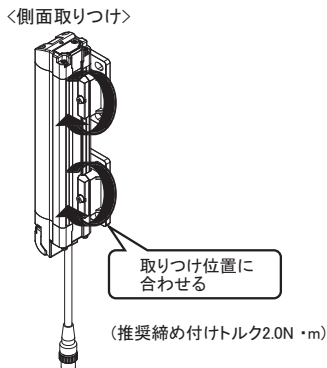
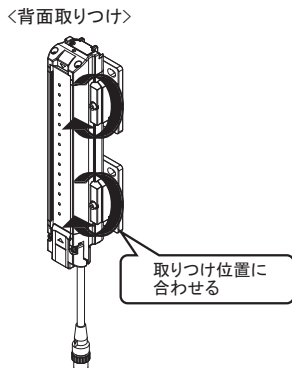
Step2
取り付け



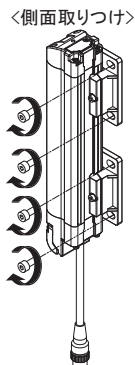
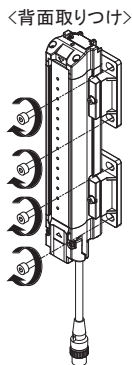
2. ボルトを仮締めします。



3. 取り付け位置を調整し固定します。



4. 壁面に固定します。

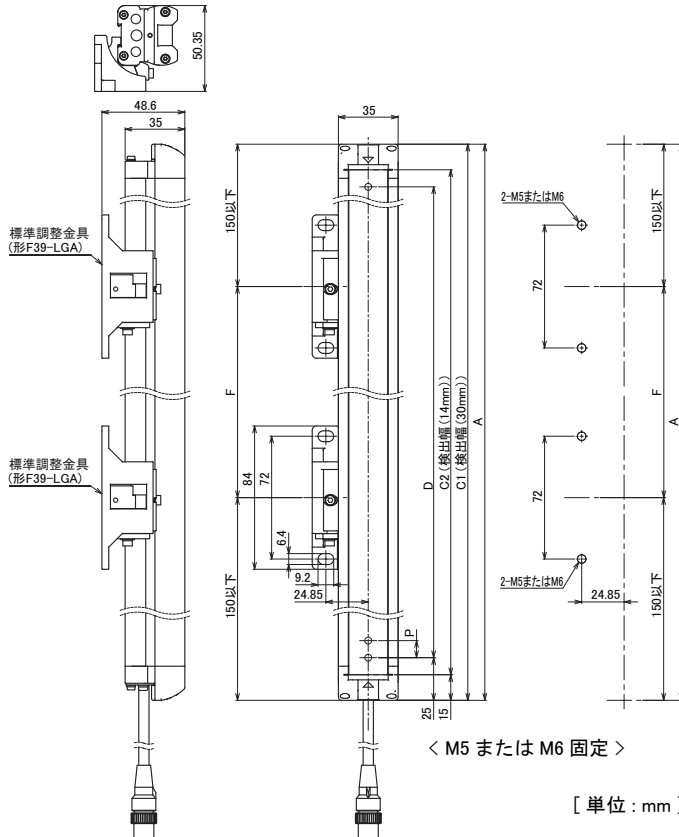


💡 壁面との取り付けネジは付属していません。

10-2. 標準調整金具(形 F39-LGA) を取りつける場合

■外形寸法図(取り付け位置確認)

[背面取り付け時]



形 F3SG-4RE □□□□□ 30 シリーズ

寸法A	C1
寸法C1	形式中の4桁の数字(検出幅)
寸法D	C1-50
寸法P	20

検出幅(C1)	標準調整金具の数 *1	寸法F
0190~1230	2 *2	1000mm以下
1310~2270	3	1000mm以下
2350~2510	4	1000mm以下

形 F3SG-4RE □□□□□ 14 シリーズ

寸法A	C2+30
寸法C2	形式中の4桁の数字(検出幅)
寸法D	C2-20
寸法P	10

検出幅(C2)	標準調整金具の数 *1	寸法F
0160~1200	2 *2	1000mm以下
1280~2080	3	1000mm以下

*1. センサ片側(投光器または受光器)の取り付けに必要な数量です。

*2. 検出幅が0160~0270の場合、センサ片側につき1個でも取り付け可能です。この場合、寸法Aの2分の1の位置(センサ縦方向の中央)に本金具を取りつけてください。

側面取り付け時の外形寸法図については、F3SG-Rシリーズユーザーズマニュアルを参照してください。

Step1

取り付け
位置確認

Step2

取り付け

Step3

光軸調整

■取り付け方法と光軸調整

以降に示す取り付け手順は F3SG-RA シリーズの図を使用していますが、F3SG-RE シリーズの取り付け手順も同様です。

1. ボルトを緩め角度を調整します。

Step1

取り付け
位置確認



Step2

取り付け



Step3

光軸調整

六角穴付ボルト(M3×15)

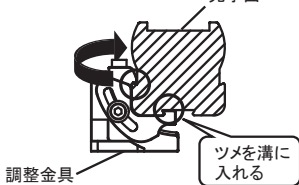
六角穴付ボルト(M3×15)

ツメ

2. ボルトを仮締めします。

<背面取り付け>

光学面



<側面取り付け>

光学面

ツメを溝に入れる



3. 取り付け位置を調整し固定します。

<背面取り付け>

取り付け位置に
合わせる

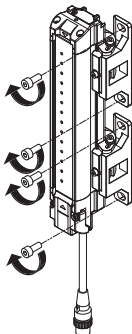
<側面取り付け>

取り付け位置に
合わせる

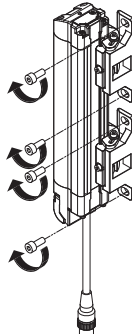
(推奨締め付けトルク2.0N・m)

4. 壁面に固定します。

<背面取り付け>

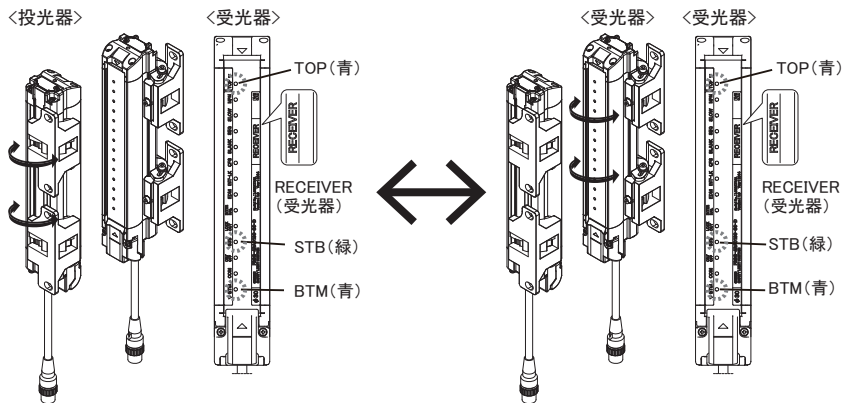


<側面取り付け>



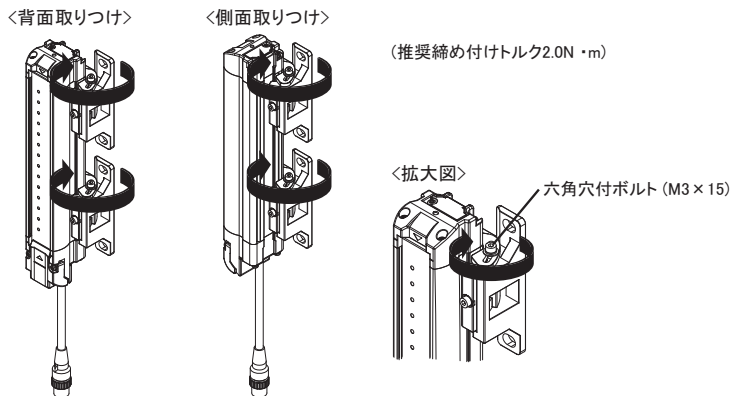
壁面との取り付けネジは付属していません。

5. 表示灯を参考に光軸を調整します。



標準調整金具の角度調整範囲は $\pm 15^\circ$ です。

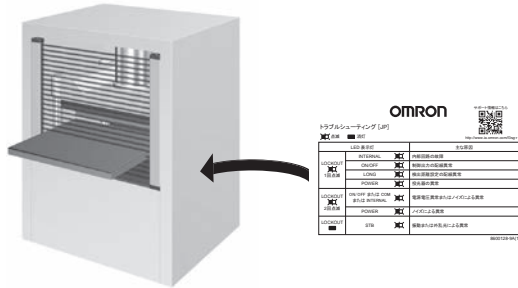
6. 残りのボルトを本締めします。





11. 動作チェック

配線、取り付け・光軸調整が終わったら、F3SG-RE の動作チェックを実施してください。
必要に応じて添付のトラブルシューティングステッカを形 F3SG-RE の近くに貼ってください。



トラブルシューティング方法については、F3SG-Rシリーズユーザーズマニュアル
またはウェブサイトも参照してください。



<http://www.ia.omron.com/f3sg-r>

ご承諾事項

当社商品は、一般工業製品向けの汎用品として設計製造されています。従いまして、次に掲げる用途での使用を意図しておらず、お客様が当社商品をこれらの用途に使用される際には、当社は当社商品に対して一切保証をいたしません。ただし、次に掲げる用途であっても当社の意図した特別な商品用途の場合や特別の合意がある場合は除きます。

- (a) 高い安全性が必要とされる用途 (例：原子力制御設備、燃焼設備、航空・宇宙設備、鉄道設備、昇降設備、娯楽設備、医用機器、安全装置、その他生命・身体に危険が及びうる用途)
- (b) 高い信頼性が必要な用途 (例：ガス・水道・電気等の供給システム、24時間連続運転システム、決済システムほか権利・財産を取扱う用途など)
- (c) 厳しい条件または環境での用途 (例：屋外に設置する設備、化学的汚染を被る設備、電磁的妨害を被る設備、振動・衝撃を受ける設備など)
- (d) カタログ等に記載のない条件や環境での用途

* (a) から (d) に記載されている他、本カタログ等記載の商品は自動車 (二輪車含む。以下同じ) 向けではありません。自動車に搭載する用途には利用しないで下さい。自動車搭載用商品については当社営業担当者にご相談ください。

* 上記は適合用途の条件の一部です。当社のベスト、総合カタログ、データシート等最新版のカタログ、マニュアルに記載の保証・免責事項の内容をよく読んでご使用ください。

オムロン株式会社 インダストリアルオートメーションビジネスカンパニー

●製品に関するお問い合わせ先

お客様相談室

フリーダイヤル **0120-919-066**

携帯電話・PHS・IP電話などではご利用いただけませんので、下記の電話番号へおかけください。

電話 **055-982-5015** (通話料がかかります)

■営業時間：8:00～21:00 ■営業日：365日

●FAXやWebページでもお問い合わせいただけます。

FAX **055-982-5051** / www.fa.omron.co.jp

●その他のお問い合わせ

納期・価格・サンプル・仕様書は貴社のお取引先、または貴社担当オムロン販売員にご相談ください。
オムロン制御機器販売店やオムロン販売拠点は、Webページでご案内しています。