

Safety Light Curtain F3SG-□RR Series



<http://www.ia.omron.com/f3sg-r>

EN

Quick Installation Manual



Document Title	Cat. No.
Safety Light Curtain F3SG-RR Series User's Manual	Z383-E1

Introduction

Thank you for purchasing the F3SG-□RR Series Safety Light Curtain (hereinafter referred to as the "F3SG-RR"). This document contains simple instructions to install the F3SG-RR.

Please download the F3SG-RR User's Manual for full contents of the instructions from our website at: <http://www.ia.omron.com/f3sg-r>

Table of Contents

1. Precautions for Correct Use	2
2. What is Included	3
3. System Components	3
4. LED Indicators	4
4-1. LED Indicator Status	5
5. Ratings/Specifications	6
6. F3SG-RR Setup Procedure Example	9
7. Supplementary information about product functions	9
8. Setting with Rotary Switch/End Cap	10
8-1. Selecting Function with Rotary Switch	10
8-2. Selecting Function with End Cap	10
9. Input/Output Circuit	11
10. Wiring Examples	13
10-1. EDM enabled, Auto Reset Mode, External Test in 24 V Active (not used), Muting disabled and PNP Outputs	13
10-2. EDM disabled, Manual Reset Mode, External Test in 24 V Active (used), Muting disabled and PNP Outputs	13
10-3. EDM enabled, Auto Reset Mode, External Test in 0 V Active (not used), Muting disabled and NPN Outputs	14
10-4. EDM disabled, Manual Reset Mode, External Test in 0 V Active (used), Muting disabled and NPN Outputs	14
11. Safety Distance	15
12. Mounting and Beam Alignment	19
12-1. Mounting with Free-Location Brackets (F39-LGRA)	19
12-2. Mounting with Top/Bottom Brackets (F39-LGRTB)	21
12-3. Mounting with Top/Bottom Brackets (F39-LGRTB-2)	22
12-4. Mounting with Top/Bottom Brackets (F39-LGRTB-3)	23
13. Operation Check	26
Suitability for Use/Contact Information	27

1. Precautions for Correct Use

Observe the precautions described below to prevent operation failure, malfunctions, or undesirable effects on product performance.

■ Storage conditions and installation environment

- Do not install, use, or store the F3SG-RR for a long time at a temperature or humidity out of the specified range.
- This is a class A product. In residential areas it may cause radio interference, in which case the Responsible Person may be required to take adequate measures to reduce interference.

■ Wiring and installation

- Properly perform the wiring after confirming the signal names of all the terminals.
- Be sure that there is nothing in the detection zone and the stable-state indicator is turned ON after power is turned ON.
- Do not operate the control system until 2 seconds or more after turning ON the power of the F3SG-RR.
- When using a commercially available switching regulator power supply, make sure to ground the PE terminal (protective earth terminal).
- Install the emitter and receiver to the same vertical direction.
- Use brackets of specified quantities and locations according to the dimensions. If the brackets described above are not used, ratings and performance cannot be met.
- Do not install the F3SG-RR close to a device that generates high-frequency noise. Otherwise, take sufficient blocking measures.
- Sharing the power supply with other devices may cause the F3SG-RR to be affected by noise or voltage drop. It is recommended that the F3SG-RR use a power supply dedicated for safety components, not shared with other devices.
- When using multiple sets of F3SG-RR, use the mutual interference prevention function such as the scan code function and the detection distance change function. If you install more sensors than the specifications of the mutual interference prevention function, take additional protection measures such as staggered arrangement and the use of a shimmer.

■ Cleaning

- Do not use thinner, benzene, or acetone for cleaning. They affect the product's resin parts and paint on the housing.
- Use a soft cloth which is dry or wetted with clean water for cleaning. Do not use solvents.

■ Object detection

- The F3SG-RR cannot detect transparent and/or translucent objects.

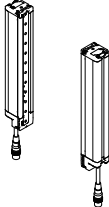
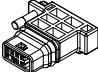
■ Settings

- Do not operate the Rotary Switch during normal operation of the F3SG-RR. Otherwise, the F3SG-RR enters the Lockout state.
- Be sure that the F3SG-RR is in the Setting mode when making a change to the setting.
- Muting related time must be properly configured for its application by a sufficiently trained and qualified person, and the person must have responsibility for settings, especially when setting the muting time limit to infinite.


■ Oil resistance

- For details of the oil resistance, see the User's Manual.

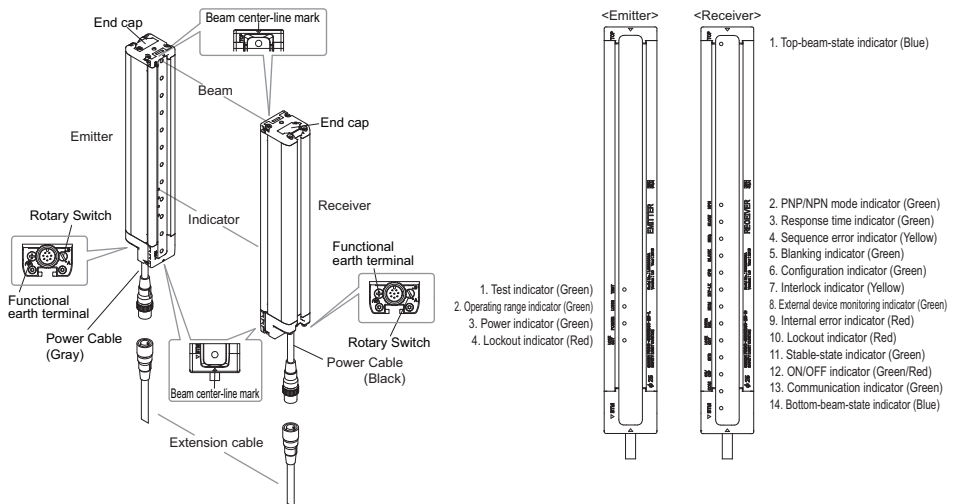
2. What is Included

Product	Quantity														
F3SG-ORR□□□□□□□□ main unit 	Emitter x 1, Receiver x 1 Factory Default Settings <table border="1"> <thead> <tr> <th>Feature</th> <th>Factory Default Setting</th> </tr> </thead> <tbody> <tr> <td>External Test</td> <td>24 V Active</td> </tr> <tr> <td>Interlock</td> <td>Auto Reset Mode enabled</td> </tr> <tr> <td>EDM (External Device Monitoring)</td> <td>Enabled</td> </tr> <tr> <td>Auxiliary Output</td> <td>Safety output information (Inverted signal output: Enable)</td> </tr> <tr> <td>Muting</td> <td>Disabled</td> </tr> <tr> <td>Override</td> <td>Disabled</td> </tr> </tbody> </table>	Feature	Factory Default Setting	External Test	24 V Active	Interlock	Auto Reset Mode enabled	EDM (External Device Monitoring)	Enabled	Auxiliary Output	Safety output information (Inverted signal output: Enable)	Muting	Disabled	Override	Disabled
Feature	Factory Default Setting														
External Test	24 V Active														
Interlock	Auto Reset Mode enabled														
EDM (External Device Monitoring)	Enabled														
Auxiliary Output	Safety output information (Inverted signal output: Enable)														
Muting	Disabled														
Override	Disabled														
End Cap (for External Test Input Selection) (Color: White) 	1														
Warning Zone Label	1														
Troubleshooting Guide Sticker	1														
Safety Precautions	3														
Quick Installation Manual	3														

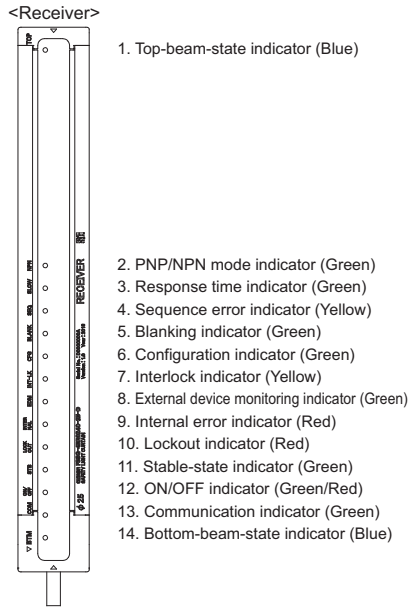
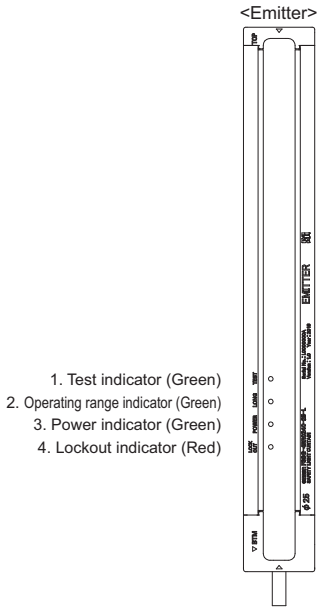
 Refer to *F3SG-RR Series User's Manual* for more information.

 For ratings/specifications, input/output circuit, LED indicator status and troubleshooting, refer to *Safety Light Curtain F3SG-RR Series User's Manual*.

3. System Components



4. LED Indicators



4-1. LED Indicator Status

Shown below are the of factory default indication statuses of F3SG-RR LED indicators.

Emitter

Location	Name of Indicator		Color	Illuminated	Blinking
1	Test	TEST	Green	-	External Test is being performed
2	Operating range	LONG	Green	Always illuminated	Lockout state due to Scan code setting error
3	Power	POWER	Green	Power is ON.	Error due to noise
4	Lockout	LOCKOUT	Red	-	Lockout state due to error in emitter

Receiver



Location	Name of Indicator		Color	Illuminated	Blinking
1	Top-beam-state	TOP	Blue	The top beam is unblocked	Muting/Override state, or Lockout state due to Cap error or Other sensor error
2	PNP/NPN mode	NPN	Green	NPN mode is selected	-
3	Response time	SLOW	Green	Response Time Adjustment is enabled	-
4	Sequence error	SEQ	Yellow	-	Sequence error in Muting or Pre-reset mode
5	Blanking	BLANK	Green	Blanking, Warning Zone or Reduced Resolution is enabled	Blanking Monitoring error
6	Configuration	CFG	Green	-	Zone measurement being performed by Dynamic Muting, or Lockout state due to Parameter error or Cascading Configuration error
7	Interlock	INT-LK	Yellow	Interlock state	Pre-reset mode *2
8	External device monitoring	EDM	Green	RESET input is in ON state *1	Lockout state due to EDM error
9	Internal error	INTERNAL	Red	-	Lockout state due to Internal error, or error due to abnormal power supply or noise
10	Lockout	LOCKOUT	Red	-	Lockout state due to error in receiver
11	Stable-state	STB	Green	Incident light level is 170% or higher of ON-threshold	Safety output is instantaneously turned OFF due to ambient light or vibration
12	ON/OFF	ON/OFF	Green	Safety output is in ON state	-
			Red	Safety output is in OFF state	Lockout state due to Safety Output error, or error due to abnormal power supply or noise
13	Communication	COM	Green	Synchronization between emitter and receiver is maintained	Lockout state due to Communication error, or error due to abnormal power supply or noise
14	Bottom-beam-state	BTM	Blue	The bottom beam is unblocked	Muting/Override state, or Lockout state due to Scan code setting error




*1.The EDM indicator is illuminated when the EDM input is in the ON state regardless of the use of the EDM function.





*2.Refer to F3SG-R Series User's Manual for more information of blinking patterns.

5. Ratings/Specifications

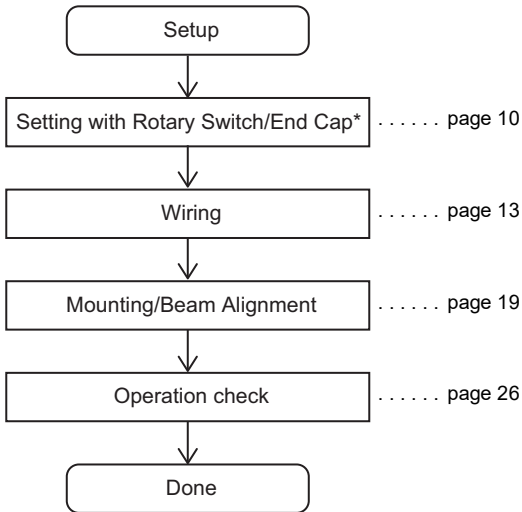
The □□□□ in the model names indicate the protective heights in millimeters.

		F3SG-4RR□□□□-14	F3SG-4RR□□□□-25
Performance			
Object Resolution (Detection Capability)		Opaque objects	
		14-mm dia.	25-mm dia.
Beam Gap		10 mm	20 mm
Number of Beams		23 to 191	12 to 96
Lens Size		5.2 × 3.4 (W × H) mm	6.0 × 5.0 (W × H) mm
Protective Height		240 to 1920 mm	240 to 1920 mm
Operating Range		0.3 to 10.0 m	0.3 to 17.0 m
Response Time	ON to OFF	Normal mode: 8 to 18 ms *1 Slow mode: 16 to 36 ms *1 *2	
	OFF to ON	Normal mode: 40 to 90ms (synchronized), 140 to 190ms (not synchronized) *1	
	*1. Response time when used in one segment system or in cascaded connection.  Refer to <i>F3SG-R Series User's Manual</i> . *2. Selectable by Configuration Tool.		
Effective Aperture Angle (EAA) (IEC 61496-2)		±2.5° max., emitter and receiver at operating range of 3 m or greater	
Light Source		Infrared LEDs, Wavelength: 870 nm	
Startup Waiting Time		2 s max.	
Electrical			
Power Supply Voltage (Vs)		SELV/PELV 24 VDC±20% (ripple p-p 10% max.)	
Current Consumption		 Refer to <i>F3SG-R Series User's Manual</i> .	
Safety Outputs (OSSD)		Two PNP or NPN transistor outputs (PNP or NPN is selectable by Configuration Tool.)	
		Load current of 300 mA max., Residual voltage of 2 V max. (except for voltage drop due to cable extension), Capacitive load of 1 μF max., Inductive load of 2.2 H max. *1 Leakage current of 1 mA max. (PNP), 2 mA max. (NPN) *2	
		*1. The load inductance is the maximum value when the safety output frequently repeats ON and OFF. When you use the safety output at 4 Hz or less, the usable load inductance becomes larger. *2. These values must be taken into consideration when connecting elements including a capacitive load such as a capacitor.	
Auxiliary Output		One PNP or NPN transistor output (PNP or NPN is selectable by Configuration Tool.)	
		Load current of 100 mA max., Residual voltage of 2 V max.	
Output Operation Mode	Safety Output	Light-ON (Safety output is enabled when the receiver receives an emitting signal.)	
	Auxiliary Output	Safety output (Inverted signal output:Enable) (default) (Configurable by Configuration Tool)	
Input Voltage	External device monitoring input (Lockout reset input)	PNP ON voltage: Vs-3 V to Vs (short circuit current: approx. 6.5 mA) * OFF voltage: 0 V to 1/2 Vs, or open (short circuit current: approx. 8.0 mA) *	
		NPN ON voltage: 0 V to 3 V (short circuit current: approx. 8.0 mA) OFF voltage: 1/2 Vs to Vs, or open (short circuit current: approx. 6.5 mA) *	
	Muting input A/B	PNP ON voltage: Vs-3 V to Vs (short circuit current: approx. 3.0 mA) * OFF voltage: 0 V to 1/2 Vs, or open (short circuit current: approx. 5.0 mA) * NPN ON voltage: 0 V to 3 V (short circuit current: approx. 5.0 mA) OFF voltage: 1/2 Vs to Vs, or open (short circuit current: approx. 3.0 mA) *	
Test input	24 V Active setting: ON voltage: 9 V to Vs (short circuit current: approx. 2.5 mA) * OFF voltage: 0 V to 3 V or open (short circuit current: approx. 2.0 mA) 0 V Active setting: ON voltage: 0 V to 3 V (short circuit current: approx. 2.0 mA) OFF voltage: 9 V to Vs or open (short circuit current: approx. 2.5 mA) *		
* The Vs indicates a supply voltage value in your environment.			
Overvoltage Category (IEC 60664-1)		II	

		F3SG-4RR□□□□-14	F3SG-4RR□□□□-25
Indicators		 Refer to 4. LED Indicators .	
Protective Circuit		Output short protection, Power supply reverse polarity protection	
Insulation Resistance		20 MΩ or higher (500 VDC megger)	
Dielectric Strength		1,000 VAC, 50/60 Hz (1 min)	
Functional			
Mutual Interference Prevention (Scan Code)		This function prevents mutual interference in up to two F3SG-RR systems.  Refer to F3SG-R Series User's Manual.	
Cascade Connection		Number of cascaded segments: 3 max. Total number of beams: 255 max. Cable length between sensors: 10 m max. (not including cascading cable (F39-JGR2WTS) and power cable)	
Test Function		Self-test (at power-on, and during operation) External test (light emission stop function by test input)	
Safety-Related Functions		Interlock External device monitoring (EDM) Pre-reset Fixed blanking/Floating blanking Reduced resolution Muting/Override Scan code selection PNP/NPN selection Response time adjustment  Refer to F3SG-R Series User's Manual.	
Environmental			
Ambient Temperature	Operating	-10 to 55°C (14 to 131°F) (non-icing)	
	Storage	-25 to 70°C (-13 to 158°F)	
Ambient Humidity	Operating	35% to 85% (non-condensing)	
	Storage	35% to 95%	
Ambient Illuminance		Incandescent lamp: 3,000 lx max. on receiver surface Sunlight: 10,000 lx max. on receiver surface	
Degree of Protection (IEC 60529)		IEC 60529: IP65 and IP67, JIS C 0920 Annex 1: IP67G	
Vibration Resistance (IEC 61496-1)		Class 3M4 (IEC TR 60721-4-3) Operation limit: 5~150 Hz, Multiple amplitude of 7 mm, Acceleration of 1G, 10 sweeps each in X, Y, and Z directions (no delay at resonant frequencies)	
Shock Resistance (IEC 61496-1)		Class 3M4 (IEC TR 60721-4-3) Operation limit: Acceleration of 15G, Pulse duration of 6 ms, 100 shocks for each in X, Y, and Z directions (600 shocks in total)	
Pollution Degree (IEC 60664-1)		Pollution Degree 3	
Connections			
Power cable	Type of Connection	M12 connectors: 8-pin emitter and receiver. Cables prewired to the sensors. IP67 and IP67G (JIS C 0920 Annex 1)* rated when mated. *F3SG-RR meets the degree of protection when it is correctly connected with an F39-JD□□RA-□ Oil-resistant cable.	
	Number of Wires	Emitter: 5, Receiver: 8	
	Cable Length	0.3 m	
	Cable Diameter	6 mm	
	Minimum Bending Radius	R36 mm	
Cascading cable	Type of Connection	M12 connectors: 8-pin emitter and receiver. IP67 rated when mated.	
	Number of Wires	Emitter: 5, Receiver: 8	
	Cable Length	0.3 m	
	Cable Diameter	6 mm	
	Minimum Bending Radius	R5 mm	

		F3SG-4RR□□□□-14	F3SG-4RR□□□□-25
F39-JD□□RA-□ Oil-resistant cable - Single-ended cable	Type of Connection	M12 connectors: 8-pin emitter and receiver. Cables prewired to the sensors. IP67 and IP67G (JIS C 0920 Annex 1)* rated when mated. *F3SG-RR meets the degree of protection when it is correctly connected with the power cable. The degree of protection is not satisfied with the part where cable wires are uncovered.	
	Number of Wires	Emitter: 5, Receiver: 8	
	Cable Length	 Refer to <i>F3SG-R Series User's Manual</i> .	
	Cable Diameter	6 mm	
	Minimum Bending Radius	R36 mm	
Extension cable - Single-ended cable (F39-JD□□A) - Double-ended cable (F39-JD□□B)	Type of Connection	M12 connectors: 8-pin emitter and receiver. IP67 rated when mated.	
	Number of Wires	Emitter: 8, Receiver: 8	
	Cable Length	 Refer to <i>F3SG-R Series User's Manual</i> .	
	Cable Diameter	6.6 mm	
	Minimum Bending Radius	R36 mm	
Extension of Power Cable		100 m max. (Emitter/Receiver)	
Material			
Material		Housing: Aluminum alloy Cap: PBT resin Front window: Acrylic resin Cable: Fluororesin cable FE plate: Stainless steel	
Weight		 Refer to <i>F3SG-R Series User's Manual</i> .	
Included Accessories		Safety Precautions, Quick Installation Manual, Troubleshooting Guide Sticker, Warning Zone Label, End Cap (for switching External Test Input function)	
Conformity			
Conforming standards		 Refer to <i>F3SG-R Series User's Manual</i> .	
Performance Level (PL)/Safety category		PL e/Category 4 (EN ISO 13849-1:2015)	
PFH _D		1.1 × 10 ⁻⁸ (IEC 61508)	
Proof test interval T _M		Every 20 years (IEC 61508)	
SFF		99% (IEC 61508)	
HFT		1 (IEC 61508)	
Classification		Type B (IEC 61508-2)	

6. F3SG-RR Setup Procedure Example



* Setting with Rotary Switch/End Cap may be necessary according to your application. For settings with Configuration Tool, refer to *Safety Light Curtain F3SG-RR Series User's Manual*.

7. Supplementary information about product functions

Before using EDM, verify that the F3SG-RR goes to the Lockout state when the F3SG-RR is wired in such a way that the specified voltage is applied directly to the RESET input of the receiver without the NC contact of an external device.





8. Setting with Rotary Switch/End Cap

8-1. Selecting Function with Rotary Switch

F3SG-RR series has the Rotary Switches to configure functions near the power cable. Configure functions with the Rotary Switches before installing F3SG-RR in your site. Make sure to turn the power of the F3SG-RR on after the setting with the Rotary Switches is complete.

Cascaded sensors are operated based on the Rotary Switches setting of the primary sensor. The Rotary Switch setting of a secondary sensor does not affect the operation.

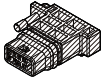
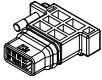
Function	Position	Description
Scan Code Selection	 Rotary Switch	Code A (factory default setting)
	 Rotary Switch	Code B



- Operate the Rotary Switches before turning the power of the F3SG-RR on.
- Both the emitter and receiver units must be set to the same code.
- A change of the Rotary Switches setting is activated upon power-on or lockout reset.
- If the Rotary Switch is operated during operation of the F3SG-RR, the F3SG-RR transitions to lockout.

8-2. Selecting Function with End Cap

F3SG-RR series has End Cap to configure the function at the opposite end from the power cable of the emitter. Configure the function before installing the F3SG-RR in your site. Make sure to turn the power off the F3SG-RR before replacing the End Cap.

Function	End Cap	Description
External Test Input Selection	 Black	24 V Active (factory default setting)
	 White	0 V Active

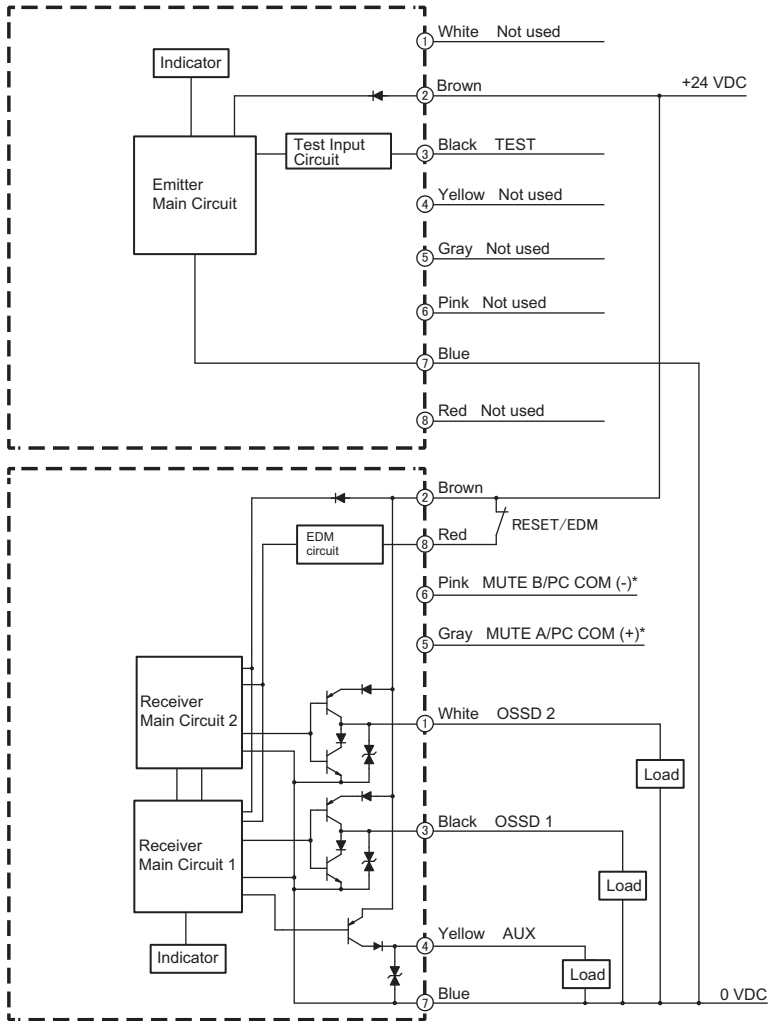


- Do not remove the insulating rubber attached to the End Cap. Failure to do so may cause deterioration of the protective functions.
- When attaching the End Cap, tightly fasten the screw (M2.5, recommended torque: 0.35 N·m). Failure to do so may cause the End Cap to come loose, leading to deterioration of the protective functions.
- The insulating rubber attached to connector of the End Cap may come off when removing the End Cap. If the rubber comes off, place it back to the groove of the connector and insert the connector to the sensor body.

9. Input/Output Circuit

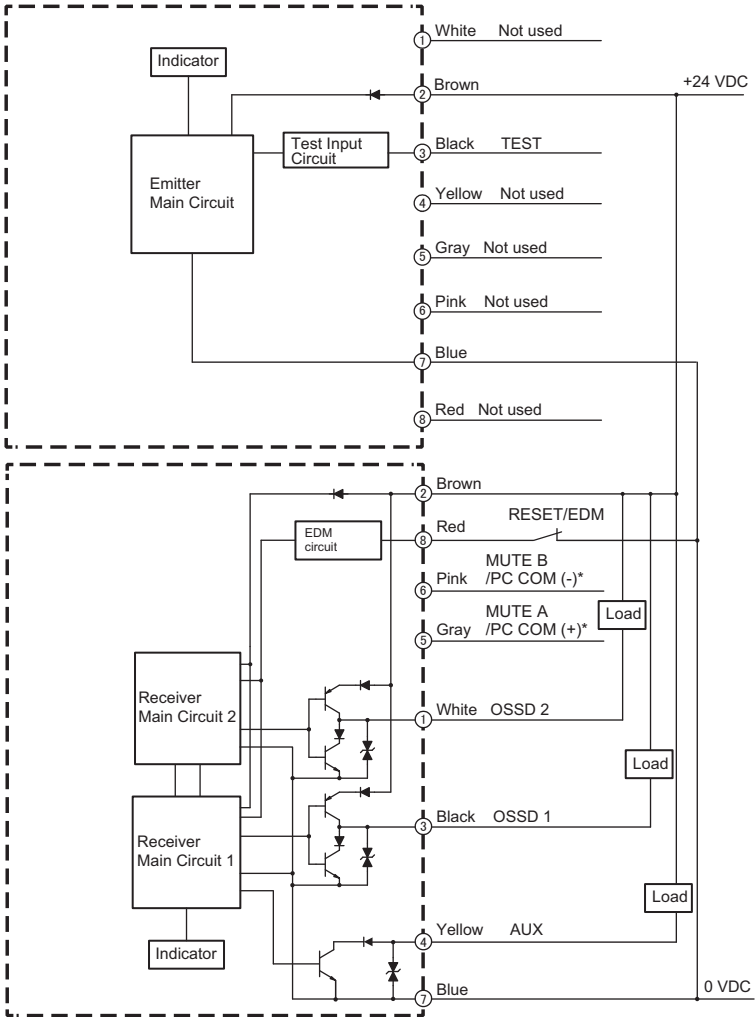
The entire circuit diagram of the F3SG-RR is shown below.
The numbers in the circles indicate the connector's pin numbers.

■PNP Output



*This line is used for communication with a PC using the F39-GIF-1 Interface Unit.

■NPN Output



*This line is used for communication with a PC using the F39-GIF-1 Interface Unit.

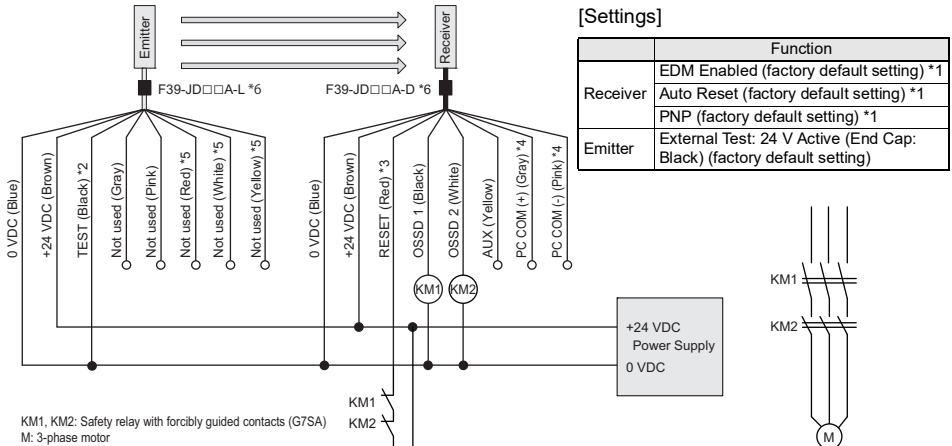


10. Wiring Examples



For input/output circuit and other examples than below, refer to *Safety Light Curtain F3SG-RR Series User's Manual*.

10-1. EDM enabled, Auto Reset Mode, External Test in 24 V Active (not used), Muting disabled and PNP Outputs



*1. The functions are configurable with Configuration Tool. Refer to *Safety Light Curtain Configuration Tool for Model F3SG (SD Manager 2) User's Manual* for more information on setting the functions by the Configuration Tool.

*2. Connect the line to 24 V via a test switch (N.O. contact) if External Test is used.

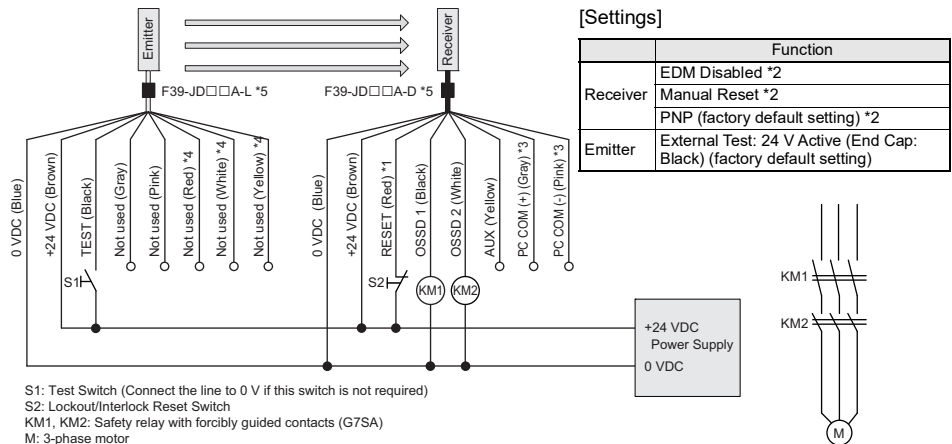
*3. Connect a lockout reset switch (N.C. contact) to this line in series with the KM1 and KM2 if Lockout Reset is used.

*4. Used as MUTE A and B lines when Muting is used.

*5. The F39-JD□□R-A-L Single-Ended Cable for Emitter (Oil-Resistant Extension Cable) does not have the red, white and yellow wires.

*6. For the F39-JD□□A-□ Single-Ended Cable, connect the shield line to 0 V.

10-2. EDM disabled, Manual Reset Mode, External Test in 24 V Active (used), Muting disabled and PNP Outputs



*1. Also used as EDM line.

*2. The functions are configurable with Configuration Tool. Refer to *Safety Light Curtain Configuration Tool for Model F3SG (SD Manager 2) User's Manual* for more information on setting the functions by the Configuration Tool.

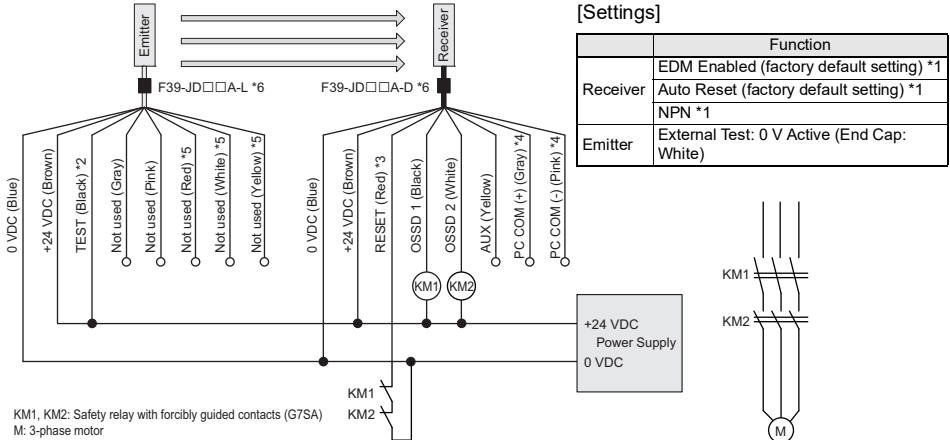
*3. Used as MUTE A and B lines when Muting is used.

*4. The F39-JD□□R-A-L Single-Ended Cable for Emitter (Oil-Resistant Extension Cable) does not have the red, white and yellow wires.

*5. For the F39-JD□□A-□ Single-Ended Cable, connect the shield line to 0 V.



10-3. EDM enabled, Auto Reset Mode, External Test in 0 V Active (not used), Muting disabled and NPN Outputs



*1. The functions are configurable with Configuration Tool. Refer to *Safety Light Curtain Configuration Tool for Model F3SG (SD Manager 2) User's Manual* for more information on setting the functions by the Configuration Tool.

*2. Connect the line to 0 V via a test switch (N.O. contact) if External Test is used.

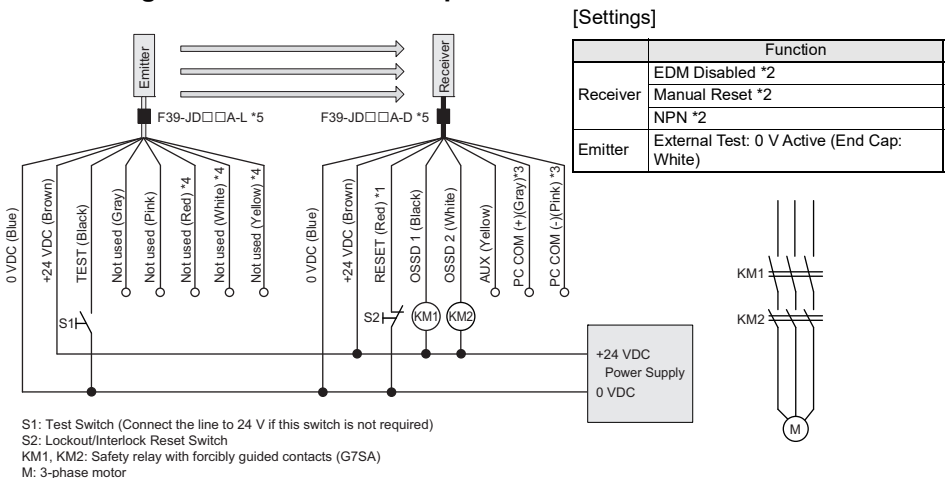
*3. Connect a lockout reset switch (N.C. contact) to this line in series with the KM1 and KM2 if Lockout Reset is used.

*4. Used as MUTE A and B lines when Muting is used.

*5. The F39-JD□□RA-L Single-Ended Cable for Emitter (Oil-Resistant Extension Cable) does not have the red, white and yellow wires.

*6. For the F39-JD□□A-□ Single-Ended Cable, connect the shield line to 0 V.

10-4. EDM disabled, Manual Reset Mode, External Test in 0 V Active (used), Muting disabled and NPN Outputs



*1. Also used as EDM line.

*2. The functions are configurable with Configuration Tool. Refer to *Safety Light Curtain Configuration Tool for Model F3SG (SD Manager 2) User's Manual* for more information on setting the functions by the Configuration Tool.

*3. Used as MUTE A and B lines when Muting is used.

*4. The F39-JD□□RA-L Single-Ended Cable for Emitter (Oil-Resistant Extension Cable) does not have the red, white and yellow wires.

*5. For the F39-JD□□A-□ Single-Ended Cable, connect the shield line to 0 V.

11. Safety Distance

The safety distance is the distance that must be set between the F3SG-RR and a machine's hazardous part to stop the hazardous part before a person or object reaches it. The safety distance varies according to the standards of each country and the individual specifications of each machine. Always refer to the relevant standards.

⚠ WARNING

Make sure to secure the safety distance (S) between the F3SG-RR and the hazardous part. Otherwise, the machine may not stop before a person reaches the hazardous part, resulting in serious injury.



The response time of a machine is the time period from when the machine receives a stop signal to when the machine's hazardous part stops. Measure the response time on the actual system. Also, periodically check that the response time of the machine has not changed.

11-1. Safety Distance Formulas according to ISO 13855/EN ISO 13855

Detection Zone Orthogonal to Direction of Approach

$S = K \times T + C$. . . Formula (1)

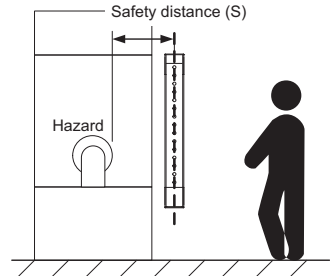
- S: Safety distance
- K: Approach speed to the detection zone
- T: Total response time of the machine and F3SG-RR
- C: Additional distance calculated by the detection capability (or object resolution) of the F3SG-RR

Calculation Example for Systems with a Detection Capability of 40 mm or Less

Use $K = 2,000$ mm/s and $C = 8 \times (d - 14 \text{ mm})$ in formula (1) for the calculation.

$$S = 2,000 \text{ mm/s} \times (T_m + T_s) + 8 \times (d - 14 \text{ mm})$$

- S = Safety distance (mm)
- T_m = Machine's response time (s)
- T_s = Response time of the F3SG-RR from ON to OFF (s)
- d = Detection capability (or object resolution) of the F3SG-RR (mm)



[Calculation example]

When $T_m = 0.05$ s, $T_s = 0.008$ s, and $d = 14$ mm:

$$S = 2,000 \text{ mm/s} \times (0.05 \text{ s} + 0.008 \text{ s}) + 8 \times (14 \text{ mm} - 14 \text{ mm}) = 116 \text{ mm} \text{ . . . Formula (2)}$$

If the result < 100 mm, use $S = 100$ mm.

If the result exceeds 500 mm, use the following expression where $K = 1,600$ mm/s.

$$S = 1,600 \text{ mm/s} \times (T_m + T_s) + 8 \times (d - 14 \text{ mm}) \text{ . . . Formula (3)}$$

If the result of this formula (3) < 500 mm, use $S = 500$ mm.

Calculation Example for Systems with Larger Detection Capability than 40 mm

Use $K = 1,600$ mm/s and $C = 850$ mm in formula (1) for calculation.

$$S = 1,600 \text{ mm/s} \times (T_m + T_s) + 850 \text{ . . . Formula (4)}$$

- S = Safety distance (mm)
- T_m = Machine's response time (s)
- T_s = Response time of the F3SG-RR from ON to OFF (s)

[Calculation example]

When $T_m = 0.05$ s and $T_s = 0.008$ s:

$$S = 1,600 \text{ mm/s} \times (0.05 \text{ s} + 0.008 \text{ s}) + 850 \text{ mm} = 942.8 \text{ mm}$$

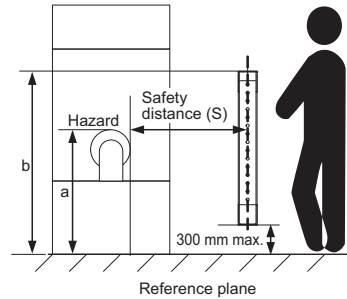
Possible Circumventing by Reaching Over the Detection Zone

If access to the hazardous zone by reaching over the detection zone of vertically mounted F3SG-RR cannot be excluded, the height and the safety distance, S, of the F3SG-RR shall be determined. S shall be determined by comparison of the calculated values in *Detection Zone Orthogonal to Direction of Approach*. The greater value resulting from this comparison shall be applied.

$S = (K \times T) + Cro$. . . Formula (5)

- S: Safety distance
- K: Approach speed to the detection zone
- T: Total response time of the machine and F3SG-RR
- Cro: Approach distance based on the distance which personnel can move towards the hazardous zone of a machine by reaching over the detection zone. The distance is determined in the table below based on the height of the hazardous zone, a, and the height of the upper edge of the detection zone, b.

Note: Lower edge of the detection zone above 300 mm in relation to the reference plane does not offer sufficient protection against crawling below.



First, use $K = 2,000 \text{ mm/s}$ in formula (5) for the calculation. If the result of this calculation is less than 100 mm, use $S = 100 \text{ mm}$. If the result exceeds 500 mm, use $K = 1,600 \text{ mm/s}$ to recalculate it. If the result of the recalculation is less than 500 mm, use $S = 500 \text{ mm}$.

Height of hazardous zone, a	Height of upper edge of detection zone, b											
	900	1000	1100	1200	1300	1400	1600	1800	2000	2200	2400	2600
Additional distance to hazardous zone, Cro												
2600	0	0	0	0	0	0	0	0	0	0	0	0
2500	400	400	350	300	300	300	300	300	250	150	100	0
2400	550	550	550	500	450	450	400	400	300	250	100	0
2200	800	750	750	700	650	650	600	550	400	250	0	0
2000	950	950	850	850	800	750	700	550	400	0	0	0
1800	1100	1100	950	950	850	800	750	550	0	0	0	0
1600	1150	1150	1100	1000	900	850	750	450	0	0	0	0
1400	1200	1200	1100	1000	900	850	650	0	0	0	0	0
1200	1200	1200	1100	1000	850	800	0	0	0	0	0	0
1000	1200	1150	1050	950	750	700	0	0	0	0	0	0
800	1150	1050	950	800	500	450	0	0	0	0	0	0
600	1050	950	750	550	0	0	0	0	0	0	0	0
400	900	700	0	0	0	0	0	0	0	0	0	0
200	600	0	0	0	0	0	0	0	0	0	0	0
0	0	0	0	0	0	0	0	0	0	0	0	0

Note 1. Upper edge of the detection zone below 900 mm is not included since they do not offer sufficient protection against circumventing or stepping over.

Note 2. When determining the values of this table, it shall not be interpolated. If the known values a, b or Cro are between two values of this table, the greater safety distance shall be used.

[Calculation example]

- T: $T_m + T_s$ (s)
- T_m : Machine's response time (s)
- T_s : Response time of the F3SG-RR from ON to OFF (s)
- a: Height of machine hazardous zone (mm)
- b: Height of upper edge of detection zone (mm)

When $T_m = 0.05$ s, $T_s = 0.008$ s, $a = 1,400$ mm, $b = 1,500$ m:


From the table above, $C_{ro} = 850$ mm. Since b is between 1,400 mm and 1,600 mm, $b = 1,400$ mm which has the greater C_{ro} value, shall be used.

$$S = 2,000 \text{ mm/s} \times (0.05 \text{ s} + 0.008 \text{ s}) + 850 \text{ mm} = 966 \text{ mm}$$

Since 966 mm is greater than 500 mm, use $K = 1,600$ mm/s and recalculate it.

$$S = 1,600 \text{ mm/s} \times (0.05 \text{ s} + 0.008 \text{ s}) + 850 \text{ mm} = 942.8 \text{ mm}$$

Since $S = 942.8$ mm is greater than $S = 116$ mm calculated by the calculation example of *Detection Zone Orthogonal to Direction of Approach*, the required safety distance S is 942.8 mm.

 Refer to *Detection Zone Orthogonal to Direction of Approach* under 11-1. *Safety Distance Formulas according to ISO 13855/EN ISO 13855*.

Detection Zone Parallel to Direction of Approach

Use $K = 1,600$ mm/s and $C = (1200 - 0.4 \times H)$ in formula (1) for calculation. Note that C must not be less than 850 mm.

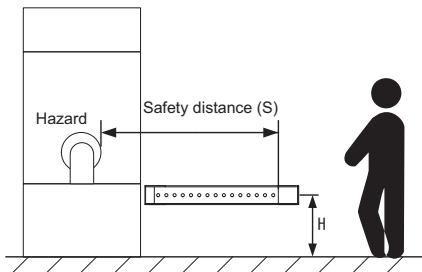
$$S = 1,600 \text{ mm/s} \times (T_m + T_s) + 1200 - 0.4 \times H$$

- S = Safety distance (mm)
- T_m = Machine's response time (s)
- T_s = Response time of F3SG-RR from ON to OFF (s)
- H = Installation height (mm)

Note that H must satisfy:

$$1000 \geq H \geq 15(d - 50 \text{ mm}) \geq 0 \text{ mm}$$

Also, you must include a hazardous condition under which a person may go through under a detection zone if H exceeds 300 mm (200 mm for other purpose than industrial use) into risk assessment.



[Calculation example]

When $T_m = 0.05$ s, $T_s = 0.008$ s, and $d = 14$ mm:

$$S = 1,600 \text{ mm/s} \times (0.05 \text{ s} + 0.008 \text{ s}) + 1200 - 0.4 \times 500 \text{ mm} = 1092.8 \text{ mm}$$

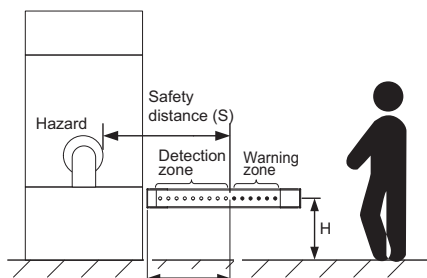
When a warning zone is configured as in the figure, you must calculate L , a distance from an end of casing to a detection zone, using a formula below:

$$L = (\text{Total number of F3SG-RR beams} - \text{number of warning zone beams} - 1) \times P + 10$$

P : Beam Gap (mm)

F3SG-RR□□□□□□-14 . . . 10 mm

F3SG-RR□□□□□□-30 . . . 20 mm



Distance L from casing end to detection zone

 Refer to *F3SG-RR Series User's Manual* for total number of F3SG-RR beams.

11-2. Safety Distance Formulas according to ANSI B11.19

If a person approaches the detection zone of the F3SG-RR orthogonally, calculate the safety distance as shown below.

$$S = K \times (T_s + T_c + T_r + T_{bm}) + D_{pf}$$

- S: Safety distance
- K: Approach speed to the detection zone (the value recommended by OSHA standard is 1,600 mm/s)
Approach speed K is not specified in the ANSI B.11.19 standard. To determine the value of K to apply, consider all factors, including the operator's physical ability.
- T_s = Machine's stopping time (s)
- T_r = Response time of the F3SG-RR from ON to OFF (s)
- T_c = Machine control circuit's maximum response time required to activate its brake (s)
- T_{bm} = Additional time (s)

If a machine has a brake monitor, " T_{bm} = Brake monitor setting time - ($T_s + T_c$)". If it has no brake monitor, we recommend using 20% or more of ($T_s + T_c$) as additional time.

- D_{pf} = Additional distance

According to ANSI's formula, D_{pf} is calculated as shown below:

$$D_{pf} = 3.4 \times (d - 7.0): \text{Where } d \text{ is the detection capability (or object resolution) of the F3SG-RR (unit: mm)}$$

[Calculation example]

When $K = 1,600$ mm/s, $T_s + T_c = 0.06$ s, brake monitor setting time = 0.1 s,

$T_r = 0.008$ s, and $d = 14$ mm:

$$T_{bm} = 0.1 - 0.06 = 0.04 \text{ s}$$

$$D_{pf} = 3.4 \times (14 - 7.0) = 23.8 \text{ mm}$$

$$S = 1,600 \times (0.06 + 0.008 + 0.04) + 23.8 = 196.6 \text{ mm}$$

12. Mounting and Beam Alignment

12-1. Mounting with Free-Location Brackets (F39-LGRA)

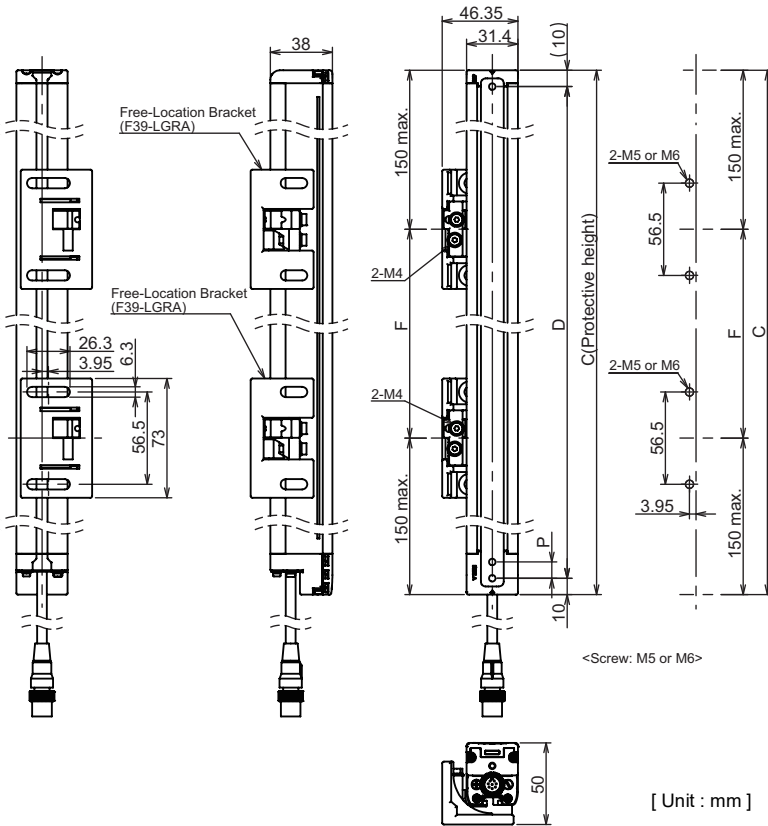
■ Dimensions (Check position)

[Backside mounting]

Step1
Check position



Step2
Mount



Dimension C	4-digit number of the type name (Protective height)	
Dimension D	C-20	
Dimension P	F3SG-4RR□□□□-14	10
	F3SG-4RR□□□□-25	20

Protective height (C)	Number of Free-Location Brackets *1	Dimension F
0240 to 1200	2 *2	1000 mm max.
1280 to 1920	3	1000 mm max.

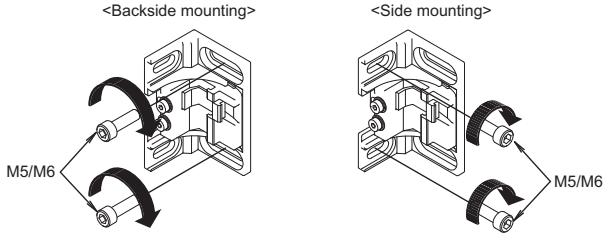
*1.The number of brackets required to mount either one of emitter and receiver.

*2.Mounting an emitter or receiver with one bracket is possible for the model of protective height of 0240. In this case, locate this bracket at half the Dimension C (or at the center of the sensor length).

Refer to *Safety Light Curtain F3SG-RR Series User's Manual* for dimensions of side mounting.

■ Mounting

1. Secure the brackets to the wall.



Screws to mount the brackets to the wall are not included.

Step1

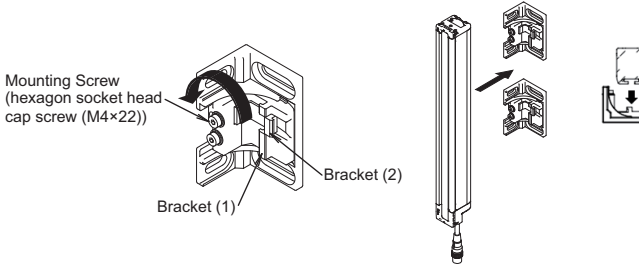
Check position



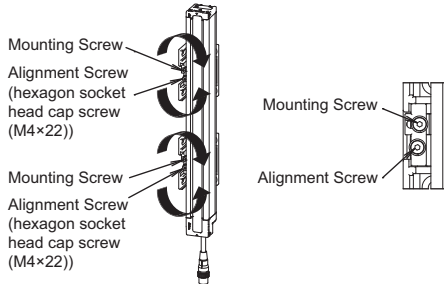
Step2

Mount

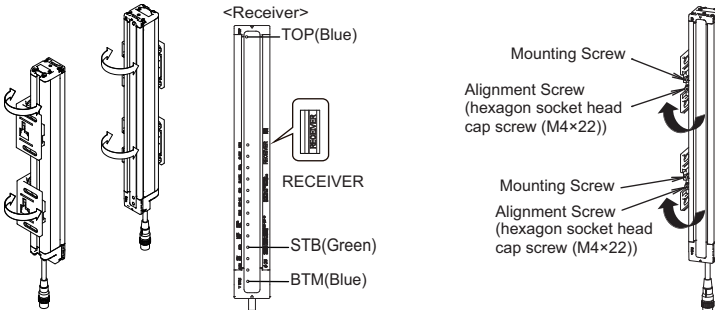
2. Loosen the Mounting Screws. Then fit the F3SG-RR housing to the brackets.



3. Securely tighten the Mounting Screws. Tightening torque: 3.0 N·m (recommended)
Then loosen the Alignment Screws.



4. Perform beam alignment according to the indicators.
Then securely tighten the Alignment Screws. Tightening torque: 3.0 N·m (recommended)



The angle adjustment range of the Free-Location Brackets is $\pm 15^\circ$.

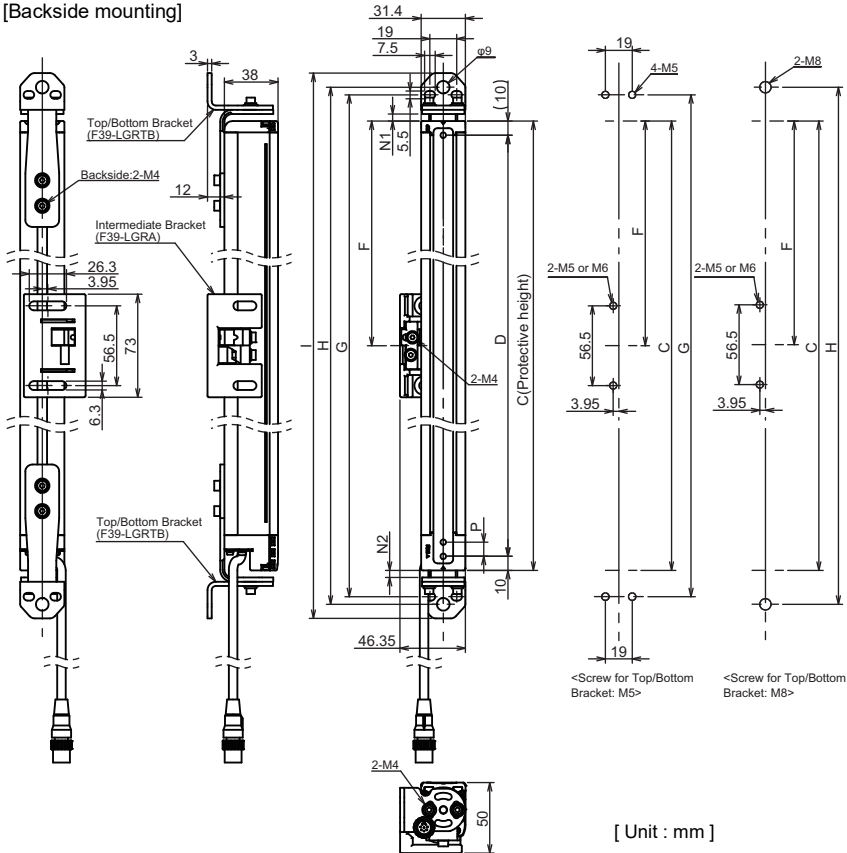


12-2. Mounting with Top/Bottom Brackets (F39-LGRTB)

■Dimensions (Check position)

- Step1
Check position
↓
Step2
Mount
↓
Step3
Align beams

[Backside mounting]



[Unit : mm]

Dimension C	4-digit number of the type name (Protective height)	
Dimension D	C-20	
Dimension G	$C+27.2+N1+N2$	
Dimension H	$C+38+N1+N2$	
Dimension I	$C+58+N1+N2$	
Dimension N1	0 to 30	
Dimension N2	0 to 13	
Dimension P	F3SG-4RR□□□□-14	10
	F3SG-4RR□□□□-25	20

Protective height (C)	Number of Top/Bottom Brackets *	Number of Intermediate Brackets *	Dimension F
0240 to 1040	2	0	-
1120 to 1920	2	1	1000 mm max.

*The number of brackets required to mount either one of emitter and receiver.



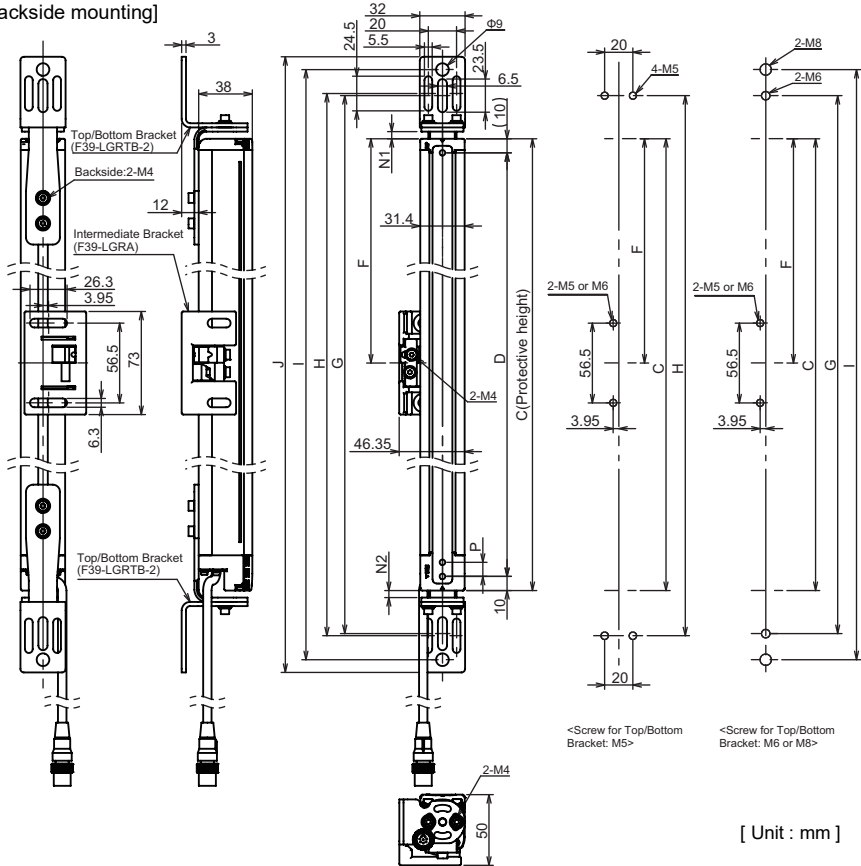
Refer to *Safety Light Curtain F3SG-RR Series User's Manual* for dimensions of side mounting.



12-3. Mounting with Top/Bottom Brackets (F39-LGRTB-2)

■Dimensions (Check position)

[Backside mounting]



Step1

Check position



Step2

Mount



Step3

Align beams

Dimension C	4-digit number of the type name (Protective height)	
Dimension D	C-20	
Dimension G	$C+51+N1+N2$	
Dimension H	$C+54+N1+N2$	
Dimension I	$C+88+N1+N2$	
Dimension J	$C+106+N1+N2$	
Dimension N1	0 to 30	
Dimension N2	0 to 13	
Dimension P	F3SG-4RR□□□□-14	10
	F3SG-4RR□□□□-25	20

Protective height (C)	Number of Top/Bottom Brackets *	Number of Intermediate Brackets *	Dimension F
0240 to 1040	2	0	-
1120 to 1920	2	1	1000 mm max.

*The number of brackets required to mount either one of emitter and receiver.



Refer to *Safety Light Curtain F3SG-RR Series User's Manual* for dimensions of side mounting.



12-4. Mounting with Top/Bottom Brackets (F39-LGRTB-3)

■Dimensions (Check position)

[Backside mounting]

Step1

Check position



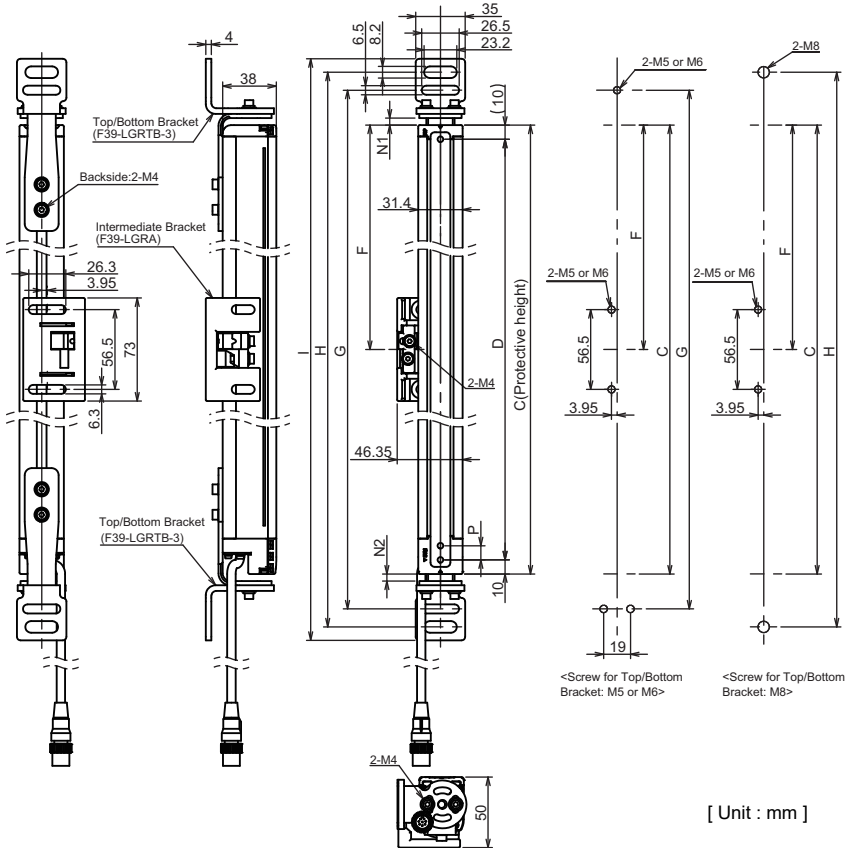
Step2

Mount



Step3

Align beams



Dimension C	4-digit number of the type name (Protective height)	
Dimension D	C-20	
Dimension G	$C+39.5+N1+N2$	
Dimension H	$C+65+N1+N2$	
Dimension I	$C+84+N1+N2$	
Dimension N1	0 to 30	
Dimension N2	0 to 13	
Dimension P	F3SG-4RR □ □ □ □ -14	10
	F3SG-4RR □ □ □ □ -25	20

Protective height (C)	Number of Top/Bottom Brackets *	Number of Intermediate Brackets *	Dimension F
0240 to 1040	2	0	-
1120 to 1920	2	1	1000 mm max.

*The number of brackets required to mount either one of emitter and receiver.

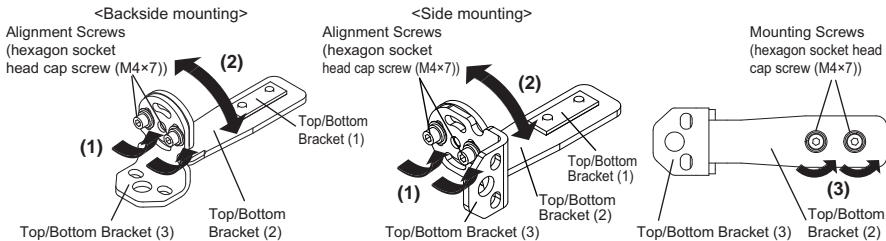


Refer to *Safety Light Curtain F3SG-RR Series User's Manual* for dimensions of side mounting.



■ Mounting and Beam Alignment

1. Loosen the Alignment Screws and adjust the angle. Then loosen the Mounting Screws of Top/Bottom Bracket (2).



Step1

Check position



Step2

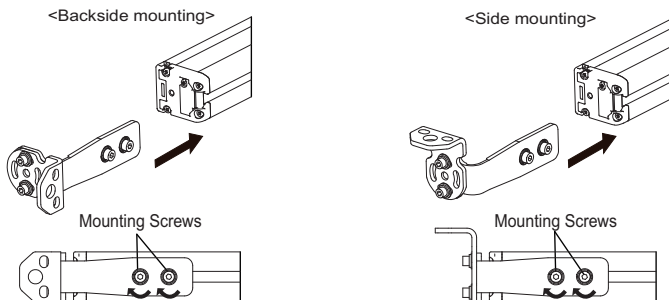
Mount



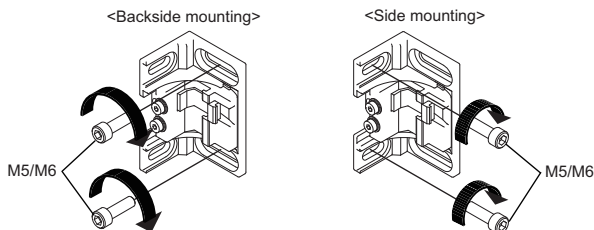
Step3

Align beams

2. Position the whole body of the Top/Bottom Bracket (1) within the yellow area of the F3SG-RR housing. Then securely tighten the Mounting Screws. Tightening torque: 3.0 N·m (recommended)

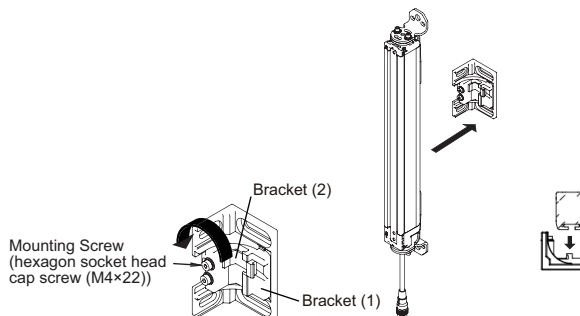


3. (For Intermediate Bracket) Secure the Intermediate Bracket to the wall.



Screws to mount the brackets to the wall are not included.

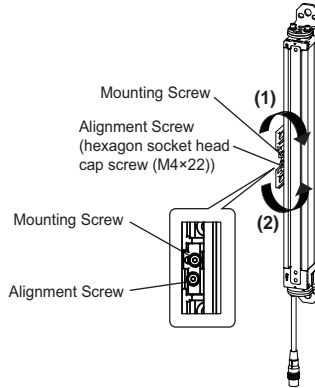
4. (For Intermediate Bracket) Loosen the Mounting Screw of the Intermediate Bracket. Then fit the F3SG-RR housing to the bracket.



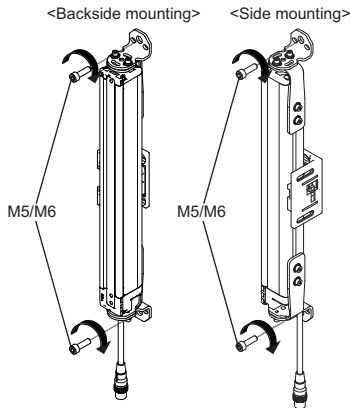


5. (For Intermediate Bracket) Securely tighten the Mounting Screw. Tightening torque: 3.0 N•m (recommended) Then loosen the Alignment Screw.

- Step1
Check position
↓
Step2
Mount
↓
Step3
Align beams

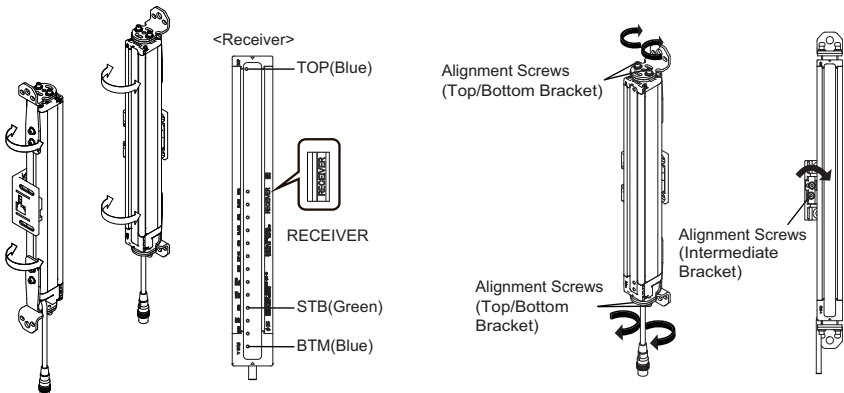


6. Secure the Top/Bottom Brackets to the wall.



7. Perform beam alignment according to the indicators.

Then securely tighten the Alignment Screws. Tightening torque: 3.0 N•m (recommended)



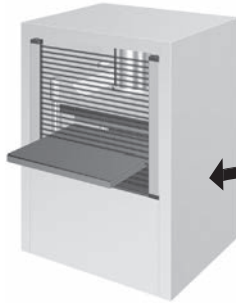
- The angle adjustment range is $\pm 22.5^\circ$ when using the Top/Bottom Brackets only.

- The angle adjustment range is $\pm 15^\circ$ when using the Top/Bottom Brackets and Intermediate Bracket together.



13. Operation Check

After setting with Rotary Switch/End Cap, wiring, mounting and beam alignment are done, check the operation of the F3SG-RR. Attach the included Troubleshooting Guide Sticker nearby, if necessary.



OMRON

PL-A0001-01 (Rev. 01.01)

TRUBLESHOOTING (JEN)

LED INDICATOR	OFF	BLINKING CAUSE
POWER	OK	Check the installation. Check whether F3SG-R is connected.
BL-ERR	OK	Check by detector beam to Blocking Maintenance.
LED	OK	Check the power supply voltage.
LOCK/OUT	OK	Check of OSM.
EMERGENCY STOP	OK	Check of emergency stop.
	OK	Check of OSM base.
LOCK/OUT	OK	Check of communication.
OK	OK	Check of OSM setting.
EMERGENCY STOP	OK	Check of OSM setting.
LOCK/OUT	OK	Check of OSM.
EMERGENCY STOP	OK	Check that no abnormal power supply or noise.
LOCK/OUT	OK	Check of OSM.
EMERGENCY STOP	OK	Check of OSM.
LOCK/OUT	OK	Check of OSM.
EMERGENCY STOP	OK	Check that no abnormal or ambient light.
LOCK/OUT	OK	Check of OSM.
EMERGENCY STOP	OK	Check that no abnormal or ambient light.
LOCK/OUT	OK	Check that no abnormal or ambient light.
EMERGENCY STOP	OK	Check that no abnormal or ambient light.



Refer to *Safety Light Curtain F3SG-RR Series User's Manual* or the website for troubleshooting.



<http://www.ia.omron.com/f3sg-r>

Suitability for Use

Omron Companies shall not be responsible for conformity with any standards, codes or regulations which apply to the combination of the Product in the Buyer's application or use of the Product. At Buyer's request, Omron will provide applicable third party certification documents identifying ratings and limitations of use which apply to the Product. This information by itself is not sufficient for a complete determination of the suitability of the Product in combination with the end product, machine, system, or other application or use. Buyer shall be solely responsible for determining appropriateness of the particular Product with respect to Buyer's application, product or system. Buyer shall take application responsibility in all cases.

NEVER USE THE PRODUCT FOR AN APPLICATION INVOLVING SERIOUS RISK TO LIFE OR PROPERTY WITHOUT ENSURING THAT THE SYSTEM AS A WHOLE HAS BEEN DESIGNED TO ADDRESS THE RISKS, AND THAT THE OMRON PRODUCT(S) IS PROPERLY RATED AND INSTALLED FOR THE INTENDED USE WITHIN THE OVERALL EQUIPMENT OR SYSTEM.

See also Product catalog for Warranty and Limitation of Liability.

OMRON Corporation Industrial Automation Company (Manufacturer)

Shiokoji Horikawa, Shimogyo-ku, Kyoto, 600-8530 JAPAN

Contact: www.ia.omron.com

Regional Headquarters

■ OMRON EUROPE B.V. (Representative and Importer in EU)
Wegalaan 67-69, NL-2132 JD Hoofddorp
THE NETHERLANDS
Tel: (31)-2356-81-300 / FAX: (31)-2356-81-388

■ OMRON ASIA PACIFIC PTE. LTD.
No. 438A Alexandra Road # 05-05/08 (Lobby 2),
Alexandra Technopark,
Singapore 119967
Tel: (65) 6835-3011 / Fax: (65) 6835-2711

■ OMRON ELECTRONICS LLC
2895 Greenspoint Parkway, Suite 200
Hoffman Estates, IL 60169 U.S.A.
Tel: (1) 847-843-7900/Fax: (1) 847-843-7787

■ OMRON (CHINA) CO., LTD.
Room 2211, Bank of China Tower,
200 Yin Cheng Zhong Road,
PuDong New Area, Shanghai, 200120, China
Tel: (86) 21-5037-2222 / Fax: (86) 21-5037-2200

In the interest of product improvement, specifications are subject to change without notice.

セーフティライトカーテン F3SG-□RR シリーズ



<http://www.ia.omron.com/f3sg-r>

JA クイックインストールマニュアル



マニュアル名称	マニュアル番号
セーフティライトカーテン F3SG-RR シリーズ ユーザーズマニュアル	SGFM-721

はじめに

このたびはセーフティライトカーテン形 F3SG- □ RR シリーズ（以下 F3SG-RR と呼びます）をお買い上げいただき、ありがとうございます。

本書は F3SG-RR の設置についての簡易説明書です。

F3SG-RR の取扱説明書の全文は下記の当社ウェブサイトよりダウンロードしてください。

<http://www.ia.omron.com/f3sg-r>

目次

1. 使用上の注意	2
2. 同梱物のご確認	3
3. 各部の名称	3
4. LED 表示灯	4
4-1. LED 表示灯の名称および点灯パターン	5
5. 定格 / 性能	6
6. ライトカーテンセットアップ手順例	9
7. 製品の機能についての補足	9
8. ロータリー SW ・ 終端キャップ設定	10
8-1. ロータリー SW での機能切り替え	10
8-2. 終端キャップでの機能切り替え	10
9. 入出力回路	11
10. 配線例	13
10-1. EDM 有効、オートリセットモード、外部テスト 24V アクティブ（機能未使用時）、ミュートイング無効、PNP 出力	13
10-2. EDM 無効、マニュアルリセットモード、外部テスト 24V アクティブ（機能使用時）、ミュートイング有効、PNP 出力	13
10-3. EDM 有効、オートリセットモード、外部テスト 0V アクティブ（機能未使用時）、ミュートイング無効、NPN 出力	14
10-4. EDM 無効、マニュアルリセットモード、外部テスト 0V アクティブ（機能使用時）、ミュートイング有効、NPN 出力	14
11. 安全距離	15
12. 取り付け・光軸調整	19
12-1. フリーロケーション金具（形 F39-LGRA）を取りつける場合	19
12-2. 上下取付金具（形 F39-LGRTB）を取りつける場合	21
12-3. 上下取付金具（形 F39-LGRTB-2）を取りつける場合	22
12-4. 上下取付金具（形 F39-LGRTB-3）を取りつける場合	23
13. 動作チェック	26
ご承諾事項 / お問い合わせ先	27

1. 使用上の注意

製品が動作不能、誤動作、または性能・機器への悪影響を防ぐため、以下のことを守ってください。

■保管・設置環境について

- ・次のような場所には保管・設置しないでください。
 - 仕様で定められる以上の温度、湿度での長時間の保管、使用
- ・本製品はクラス A 機器です。家庭用環境において、本製品は電波障害を起こすことがあります。この場合は、責任者が十分な対策を講じてください。

■配線・取り付けについて

- ・すべての端子の信号名を確認し、正しく配線してください。
- ・電源投入後に検出エリアに何も無い状態とし、安定入光表示灯が点灯することを確認してください。
- ・制御システムは、F3SG-RRの電源投入後2秒以上経過してから動作させてください。
- ・市販のスイッチングレギュレータを使用する場合、PE(保護接地端子)を接地してください。
- ・投光器と受光器の上下方向を合わせて設置してください。
- ・外形寸法図にしたがい、規定の数量、および位置で金具をご使用ください。ご使用されない場合、定格/性能を満たすことができません。
- ・強い高周波ノイズを発生する機器から離して設置してください。あるいは遮蔽対策を十分に行ってください。
- ・他の機器と電源を共用することによってノイズの影響や電圧降下などの影響を受ける可能性があります。他の機器と電源を共用せず、安全コンポ専用の電源とすることを推奨します。
- ・複数セットのF3SG-RRを使用するときは、スキャンコード機能や検出距離変更機能などの相互干渉防止機能を使用してください。相互干渉防止機能の仕様を超える台数のセンサを設置する場合は、ちどり配置やしゃ光板を利用するなどの追加保護方策を実施してください。

■清掃について

- ・シンナー、ベンジン、アセトン類は、樹脂部材やケース塗装を溶かしますので、使用しないでください。
- ・溶剤などは使用せず、乾いた布または水で濡らした柔らかい布で拭いてください。

■検出体について

透明体、半透明体は検出できません。

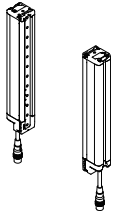
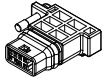
■設定について


- ・通常動作中にロータリー SW を操作しないでください。F3SG-RRがロックアウトします。
- ・設定対象のセンサが設定モードに移行していることを確認してから設定変更を実行してください。
- ・ミュート機能に関連する時間は、適切な訓練を受けた有資格者が、アプリケーションに合わせて的確な設定をしてください。特にミュート時間制限値を無限大に設定する際には、設定者自身が責任を持って実行ください。

■耐油性について

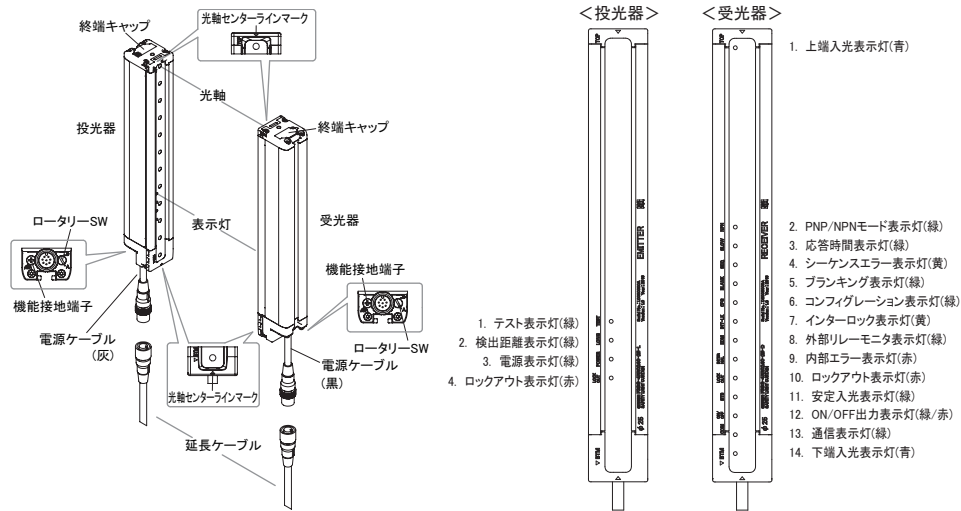
- ・耐油性についての詳細はユーザーズマニュアルを参照してください。

2. 同梱物のご確認

製品	数量														
セーフティライトカーテン 形F3SG-□RR□□□□□□□□本体 	投光器×1、受光器×1 出荷時設定 <table border="1"> <thead> <tr> <th>機能</th> <th>出荷時設定</th> </tr> </thead> <tbody> <tr> <td>外部テスト</td> <td>24Vアクティブ</td> </tr> <tr> <td>インターロック</td> <td>オートリセットモード</td> </tr> <tr> <td>外部リレーモニタ(EDM)</td> <td>有効</td> </tr> <tr> <td>補助出力</td> <td>制御出力情報 (出力反転機能：有効)</td> </tr> <tr> <td>ミュートイング</td> <td>無効</td> </tr> <tr> <td>オーバーライド</td> <td>無効</td> </tr> </tbody> </table> 詳細については F3SG-RRシリーズユーザーズマニュアルを参照してください。	機能	出荷時設定	外部テスト	24Vアクティブ	インターロック	オートリセットモード	外部リレーモニタ(EDM)	有効	補助出力	制御出力情報 (出力反転機能：有効)	ミュートイング	無効	オーバーライド	無効
機能	出荷時設定														
外部テスト	24Vアクティブ														
インターロック	オートリセットモード														
外部リレーモニタ(EDM)	有効														
補助出力	制御出力情報 (出力反転機能：有効)														
ミュートイング	無効														
オーバーライド	無効														
終端キャップ(外部テスト入力機能切り替え用) 	1														
警告エリアラベル	1														
トラブルシューティングステッカ	1														
安全上のご注意	3														
クイックインストールマニュアル	3														


 定格/性能、入出力回路、LED表示灯の点灯パターン、トラブルシューティングについては、F3SG-RRシリーズユーザーズマニュアルを参照してください。

3. 各部の名称



4. LED 表示灯

< 投光器 >



1. テスト表示灯(緑)
2. 検出距離表示灯(緑)
3. 電源表示灯(緑)
4. ロックアウト表示灯(赤)

< 受光器 >



1. 上端入光表示灯(青)
2. PNP/NPNモード表示灯(緑)
3. 応答時間表示灯(緑)
4. シーケンスエラー表示灯(黄)
5. ブランキング表示灯(緑)
6. コンフィグレーション表示灯(緑)
7. インターロック表示灯(黄)
8. 外部リレーモニタ表示灯(緑)
9. 内部エラー表示灯(赤)
10. ロックアウト表示灯(赤)
11. 安定入光表示灯(緑)
12. ON/OFF出力表示灯(緑/赤)
13. 通信表示灯(緑)
14. 下端入光表示灯(青)

4-1. LED 表示灯の名称および点灯パターン

工場出荷時の F3SG-RR の LED 表示灯の名称および表示状態を下記に示します。

投光器

位置	表示名		表示色	点灯	点滅
1	テスト	TEST	緑	-	外部テスト中に点滅
2	検出距離	LONG	緑	常時点灯	スキャンコード設定エラーのロックアウトのときに点滅
3	電源	POWER	緑	投光器の電源が投入されているときに点灯	ノイズによる異常の時に点滅
4	ロックアウト	LOCKOUT	赤	-	投光器側のロックアウトのときに点滅

受光器

位置	表示名		表示色	点灯	点滅
1	上端入光	TOP	青	最上端の光軸が入光しているときに点灯	ミュートリング/オーバーライド中、またはキャップエラー、他のセンサエラーのロックアウトのときに点滅
2	PNP/NPNモード	NPN	緑	PNP/NPN選択がNPNモードのときに点灯	-
3	応答時間	SLOW	緑	応答時間変更機能が有効のときに点灯	-
4	シーケンスエラー	SEQ	黄	-	ミュートリング機能またはプリリセット機能使用時、シーケンスエラーが発生すると点滅
5	ブランキング	BLANK	緑	ブランキング機能、警告エリア機能、リデュースドレゾリューション機能のいずれかが有効のときに点灯	ブランキングモニターエラーのロックアウトのときに点滅
6	コンフィギュレーション	CFG	緑	-	ダイナミックミュートリング機能のエリア測定中、または設定値エラーあるいは組み合わせ構成エラーによるロックアウトの時に点滅
7	インターロック	INT-LK	黄	インターロック状態のときに点灯	プリリセット機能使用時に点滅(*2)
8	外部リレーモニタ	EDM	緑	リセット入力に入力があると点灯(*1)	外部リレーモニターエラーのロックアウトのときに点滅
9	内部エラー	INTERNAL	赤	-	内部エラーのロックアウト、電源電圧異常またはノイズによる異常のときに点滅
10	ロックアウト	LOCKOUT	赤	-	受光器側のロックアウトのときに点滅
11	安定入光	STB	緑	入光量が出力ONしきい値の170%以上のときに点灯	外乱光や振動の影響で制御出力が瞬間的にOFFしたときに点滅
12	ON/OFF出力	ON/OFF	緑	制御出力がONのときに点灯	-
			赤	制御出力がOFFのとき、点灯	制御出力エラーのロックアウト、電源電圧異常またはノイズによる異常のときに点滅
13	通信	COM	緑	投受光器間の通信が成立したときに点灯	通信エラーのロックアウト、電源電圧異常またはノイズによる異常のときに点滅
14	下端入光	BTM	青	最下端の光軸が入光しているときに点灯	ミュートリング/オーバーライド中、またはスキャンコード設定エラーのロックアウトのときに点滅

*1外部リレーモニター機能使用時の点線、未使用時の点線にかかわらず外部リレーモニター入力に入力がある場合点灯します。

*2点滅の詳細については、F3SG-RRシリーズユーザーズマニュアルを参照してください。

5. 定格 / 性能

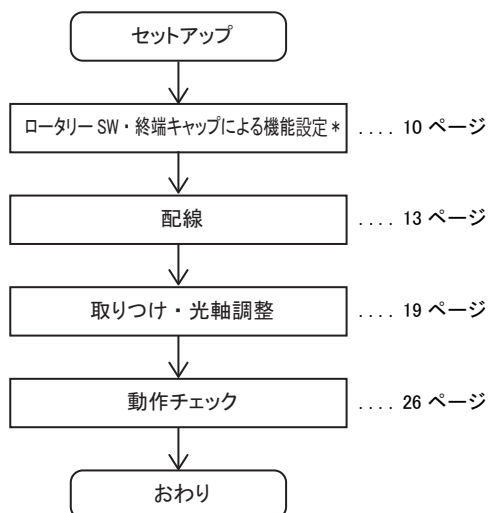
形式中の□□□□には、検出幅 (mm) が4桁の数字で入ります。

		F3SG-4RR□□□□-14	F3SG-4RR□□□□-25
性能			
最小検出物体直径(MOS)		不透明	
		φ 14mm	φ 25mm
光軸ピッチ		10mm	20mm
光軸数		23~191光軸	12~96光軸
レンズサイズ		5.2×3.4 (W×H)mm	6.0×5.0 (W×H)mm
検出幅		240~1,920mm	240~1,920mm
検出距離		0.3~10.0m	0.3~17.0m
応答時間	ON→OFF	標準モード : 8~18ms *1 低速モード : 16~36ms *1*2	
	OFF→ON	標準モード : 40~90ms(同期)、140~190ms(非同期) *1	
	*1.単体または連結時の応答時間。  詳細はF3SG-RRシリーズユーザーズマニュアルを参照してください。 *2.設定ツールで選択可能。		
有効開口角(EAA) (IEC61496-2)		投光器、受光器とも検出距離3m以上の時±2.5° 以下	
光源		赤外LED (波長870nm)	
電源投入後立ち上がり時間		2s以下	
電氣的仕様			
電源電圧(Vs)		SELV/PELV24VDC±20% (リップルp-p10%以下)	
消費電流		 F3SG-RRシリーズユーザーズマニュアルを参照してください。	
制御出力(OSSD)		PNPまたはNPNトランジスタ2出力(設定ツールでPNP/NPNを選択)	
		負荷電流300mA以下、残留電圧2V以下(ケーブル延長による電圧降下を除く)、容量負荷1μF以下、誘導負荷2.2H以下。*1 漏れ電流1mA以下(PNP)、2mA以下(NPN) *2 *1.誘導性負荷の値は、制御出力が頻繁にON/OFFを繰り返す場合の最大値です。制御出力を4Hz以下で使用する場合は、使用できる誘導性負荷の値が大きくなります。 *2.追加でコンデンサなどの容量性負荷を含む素子を接続する場合に考慮していただく値です。	
補助出力		PNPまたはNPNトランジスタ1出力(設定ツールでPNP/NPNを選択)	
		負荷電流100mA以下、残留電圧2V以下	
出力動作モード	制御出力	入光時ON	
	補助出力	制御出力情報 (出力反転:有効) (出荷時設定) (設定ツールで選択可能)	

		F3SG-4RR□□□□-14	F3SG-4RR□□□□-25
入力電圧	外部リレーモニタ入力 (ロックアウトリセット入力)	PNP ON電圧：Vs-3V~Vs (短絡電流 約6.5mA) * OFF電圧：0V~1/2Vsまたはオープン (短絡電流 約8.0mA) * NPN ON電圧：0V~3V (短絡電流 約8.0mA) OFF電圧：1/2Vs~Vsまたはオープン (短絡電流 約6.5mA) *	
	ミュートング入力A/B	PNP ON電圧：Vs-3V~Vs (短絡電流 約3.0mA) * OFF電圧：0V~1/2Vsまたはオープン (短絡電流 約5.0mA) * NPN ON電圧：0V~3V (短絡電流 約5.0mA) OFF電圧：1/2Vs~Vsまたはオープン (短絡電流 約3.0mA) *	
	テスト入力	24Vアクティブ設定時 ON電圧：9V~Vs (短絡電流 約2.5mA) * OFF電圧：0~3Vまたはオープン (短絡電流 約2.0mA) 0Vアクティブ設定時 ON電圧：0~3V (短絡電流 約2.0mA) OFF電圧：9V~Vsまたはオープン (短絡電流 約2.5mA) *	
	*ここでのVsとは使用環境での電源電圧値です。		
過電圧カテゴリ(IEC60664-1)		II	
表示灯		 4. LED表示灯 参照	
保護回路		出力負荷短絡保護、電源逆接続保護	
絶縁抵抗		20MΩ以上 (DC500Vメガにて)	
耐電圧		AC1,000V、50/60Hz、1分	
機能仕様			
相互干渉防止機能 (スキャンコード)		本機能により2セット間の相互干渉を防止できます。  F3SG-RRシリーズユーザーズマニュアルを参照してください。	
直列連結機能		連結数：3セットまで 総光軸数：255光軸まで 連結されたセンサ間のケーブル合計長：最大10m (連結ケーブル(形F39-JGR2WTS)と本体のケーブルは含まない)	
テスト機能		セルフテスト (電源投入時および通電時) 外部テスト (テスト入力による投光停止機能)	
安全関連機能		インターロック 外部リレーモニタ(EDM) プリリセット フィックスブランキング/フローティングブランキング リデュースドレゾリューション ミュートング/オーバーライド スキャンコード切り替え PNP/NPN選択 応答時間変更  F3SG-RRシリーズユーザーズマニュアルを参照してください。	
環境仕様			
周囲温度	動作時	-10~55°C (ただし氷結しないこと)	
	保存時	-25~70°C	
周囲湿度	動作時	35~85%RH (ただし結露しないこと)	
	保存時	35~95%RH	
使用周囲照度		白熱ランプ：受光面照度3,000lx以下 太陽光：受光面照度10,000lx以下	
保護構造(IEC60529)		IP65およびIP67(IEC60529) IP67G(JIS C 0920 附属書1)	
耐振動(IEC61496-1)		Class 3M4 (IEC TR 60721-4-3) 誤動作：5~150Hz、複振幅7mm、加速度1G、X、Y、Z各方向10掃引 (共振周波数での遅延なし)	
耐久衝撃(IEC61496-1)		Class 3M4 (IEC TR 60721-4-3) 誤動作：加速度15G、パルス時間6ms、X、Y、Z各方向100回 (合計600回)	
汚染度(IEC60664-1)		汚染度3	

		F3SG-4RR□□□□-14	F3SG-4RR□□□□-25
接続仕様			
電源ケーブル	接続方式	M12コネクタ: 8ピン(投光器/受光器)、ブリワイヤタイプ かん合時IP67等級、IP67G(JIS C 0920 附属書1)* * 耐油ケーブル (形F39-JD□□RA-□) が正しくかん合された状態での保護構造性能です。	
	芯数	投光器側: 5芯、受光器側: 8芯	
	ケーブル長	0.3m	
	ケーブル径	6mm	
	許容曲げR	R36mm	
直列連結ケーブル	接続方式	M12コネクタ: 8ピン(投光器/受光器)、かん合時IP67等級	
	芯数	投光器側: 5芯、受光器側: 8芯	
	ケーブル長	0.3m	
	ケーブル径	6mm	
	許容曲げR	R5mm	
耐油ケーブル 形F39-JD□□RA-□ - 片側コネクタケーブル	接続方式	M12コネクタ: 8ピン(投光器/受光器)、ブリワイヤタイプ かん合時IP67等級、IP67G(JIS C 0920 附属書1)* * 電源ケーブルと正しくかん合された状態での保護構造性能です。ケーブル芯線が出ている部分は、本性能の対象外です。	
	芯数	投光器側: 5芯、受光器側: 8芯	
	ケーブル長	 F3SG-RRシリーズユーザーズマニュアルを参照してください。	
	ケーブル径	6mm	
	許容曲げR	R36mm	
延長ケーブル 形F39-JD□□A - 片側コネクタ ケーブル 形F39-JD□□B - 両側コネクタ ケーブル	接続方式	M12コネクタ: 8ピン(投光器/受光器)、かん合時IP67等級	
	芯数	投光器側/受光器側: 8芯	
	ケーブル長	 F3SG-RRシリーズユーザーズマニュアルを参照してください。	
	ケーブル径	6.6mm	
	許容曲げR	R36mm	
電源ケーブル延長	最大100m (投光器側/受光器側)		
材質			
材質	筐体: アルミニウム合金 キャップ: PBT樹脂 光学カバー: アクリル樹脂 ケーブル: フッ素樹脂ケーブル FEプレート: ステンレス		
質量	 F3SG-RRシリーズユーザーズマニュアルを参照してください。		
付属品	安全上のご注意、クイックインストールマニュアル、トラブルシューティングステップカ、警告エリアラベル、終端キャップ(外部テスト入力機能切り替え用)		
規格適合			
規格適合	 F3SG-RRシリーズユーザーズマニュアルを参照してください。		
パフォーマンスレベル(PL)/安全カテゴリ	PL e/安全カテゴリ 4 (EN ISO 13849-1:2015)		
PFH _D	1.1 × 10 ⁻⁸ (IEC 61508)		
ブルーフテスト間隔T _M	20年 (IEC 61508)		
SFF	99% (IEC 61508)		
HFT	1 (IEC 61508)		
分類	タイプB (IEC 61508-2)		

6. ライトカーテンセットアップ手順例



* ロータリー SW・終端キャップによる機能の設定は必要に応じて実施してください。設定ツールを使用した設定については、F3SG-RR シリーズユーザーズマニュアルを参照してください。

7. 製品の機能についての補足

外部リレーモニタ機能 (EDM) を使用する場合は、事前に受光器のリセット入力に外部リレーの b 接点を介さず規定電圧が印加されるように配線し動作させロックアウトすることを確認してください。



8. ロータリーSW・終端キャップ設定

8-1. ロータリーSWでの機能切り替え

本体の電源ケーブル側に、機能設定を行うためのロータリーSWがあります。F3SG-RRを設置する前に事前にロータリーSWの設定を行ってください。

ロータリーSWの設定完了後に電源を入れてください。

連結したセンサはプライマリセンサのロータリーSW設定に基づいて動作します。セカンダリセンサのロータリーSW設定は動作に影響しません。

機能	設定	概要
スキャンコード切り替え	<p>ロータリーSW</p>	スキャンコードA (出荷時設定)
	<p>ロータリーSW</p>	スキャンコードB



- ロータリーSWの操作はF3SG-RRの電源投入前に行ってください。
- 投光器および受光器の両方を同じコードに設定する必要があります。
- ロータリーSWの設定変更は電源投入後、もしくはロックアウトリセット後に反映されます。
- F3SG-RR動作中にロータリーSWを操作した場合、F3SG-RRはロックアウトします。

8-2. 終端キャップでの機能切り替え

投光器の電源ケーブル側と反対側に、機能設定を行うための終端キャップが取り付けられています。

F3SG-RRを設置する前に事前に外部テスト入力機能の設定を行ってください。終端キャップは電源を切った状態で交換してください。

機能	設定	概要
外部テスト入力機能切り替え	<p>黒色</p>	24Vアクティブ (出荷時設定)
	<p>白色</p>	0Vアクティブ

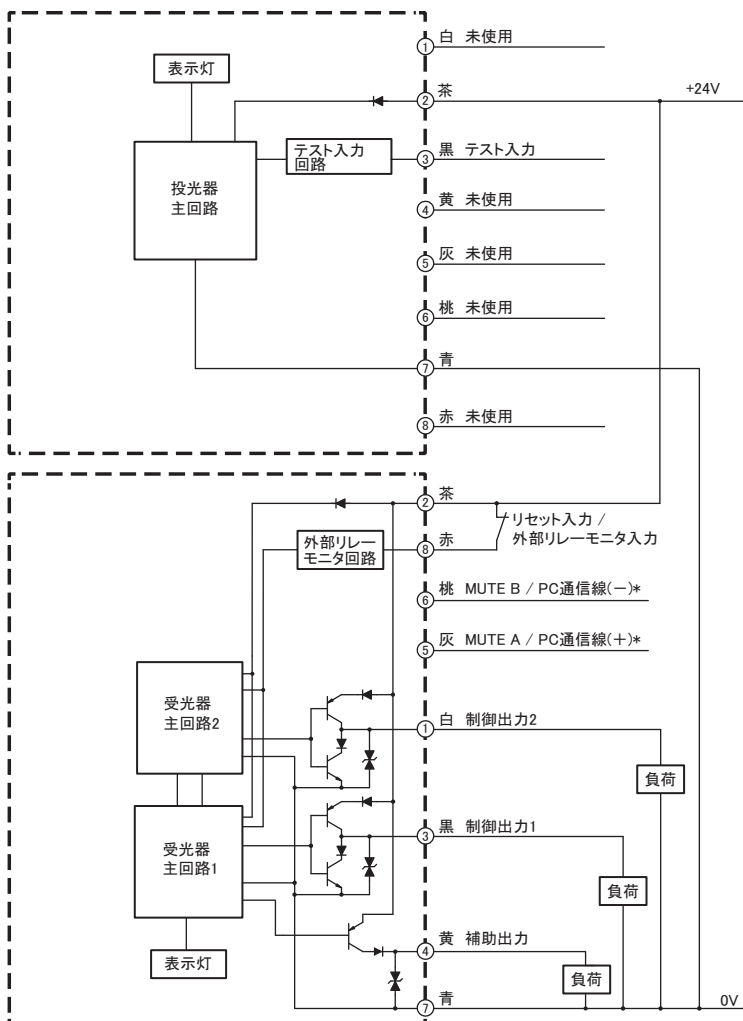


- 終端キャップに装着されている絶縁ゴムをはずさないでください。保護機能の劣化につながります。
- 終端キャップを装着する際は、ネジ(M2.5)を確実に締めてください。(推奨トルク0.35N・m) 脱落および保護機能の劣化につながります。
- 終端キャップを脱着するとコネクタ部の絶縁ゴムがはずれる場合があります。コネクタの溝部に絶縁ゴムをはめ直し、コネクタをセンサにつけ直してください。

9. 入出力回路

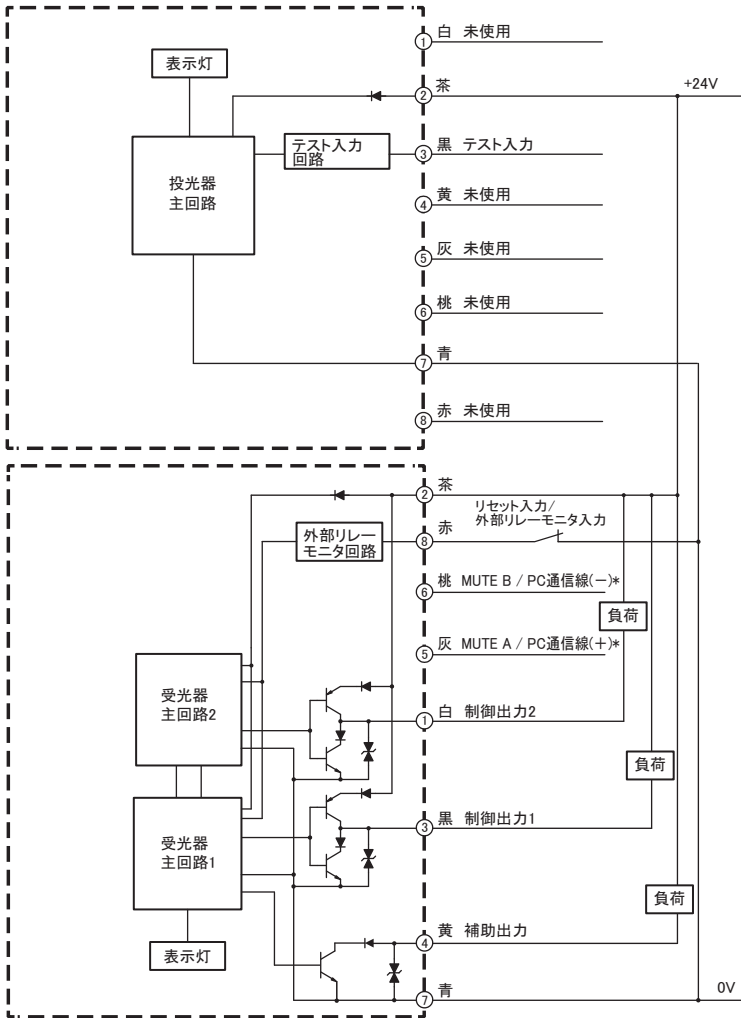
F3SG-RR の全体回路図を以下に示します。
 ○内の数字は、コネクタのピン No. を示します。

■ PNP 出力



* インターフェースユニット形F39-GIF-1を接続してPCと通信する場合に使用します。

■ NPN 出力

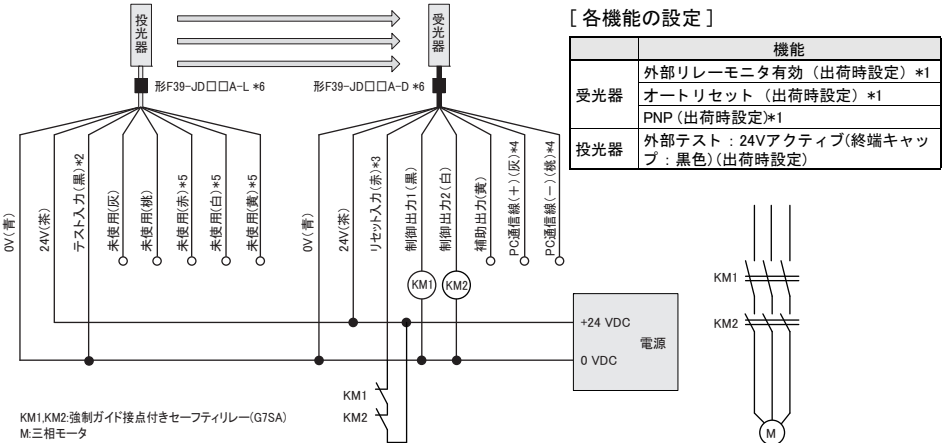


*インターフェースユニット形F39-GIF-1を接続してPCと通信する場合に使用します。

10. 配線例

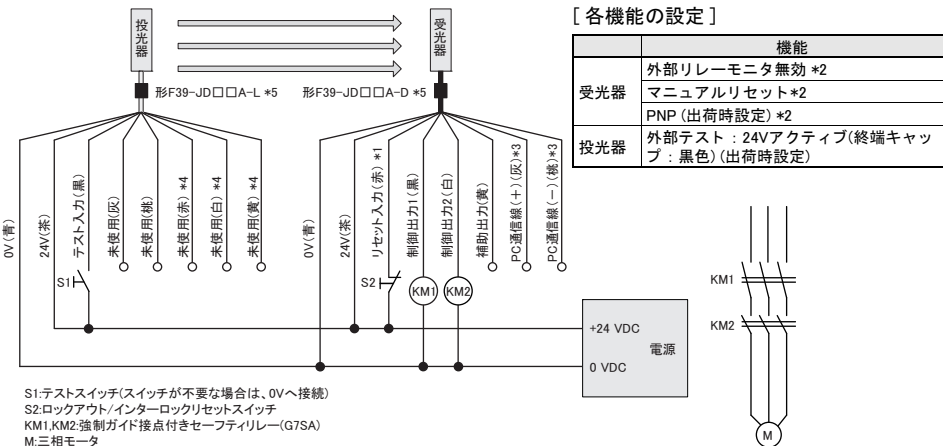
☞ 入力回路および下記以外の配線例については、F3SG-RRシリーズユーザーズマニュアルを参照してください。

10-1. EDM 有効、オートリセットモード、外部テスト 24V アクティブ (機能未使用時)、ミュートング無効、PNP 出力



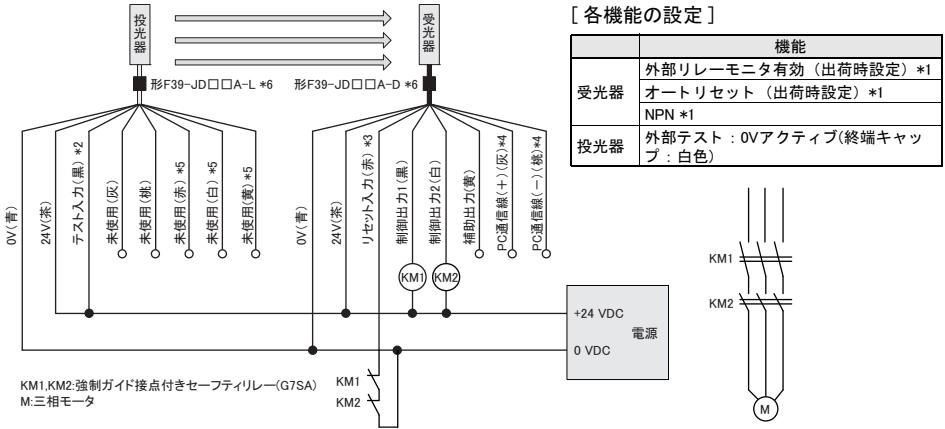
- *1. 各機能を設定ツールで設定可能です。設定ツールによる機能変更の詳細は、セーフティライトカーテン形F3SG用設定ツール(SD Manager 2)ユーザーズマニュアルを参照してください。
- *2. 外部テスト機能を使用する場合は、テストスイッチ(a接点)を介して24Vへ接続してください。
- *3. ロックアウトリセット機能を使用する場合は、ロックアウトリセットスイッチ(b接点)をリセット入力線にKM1/KM2接点と直列に接続してください。
- *4. ミュートング機能使用時は、ミュートング入力として使用。
- *5. 形F39-JD0RA-L投光器用片側コネクタケーブル(耐油延長ケーブル)の場合は、赤色・白色・黄色のケーブル芯線は出ていません。
- *6. 形F39-JD0A-□片側コネクタケーブルを使用する場合は、シールド線を0Vへ接続してください。

10-2. EDM 無効、マニュアルリセットモード、外部テスト 24V アクティブ (機能使用時)、ミュートング有効、PNP 出力



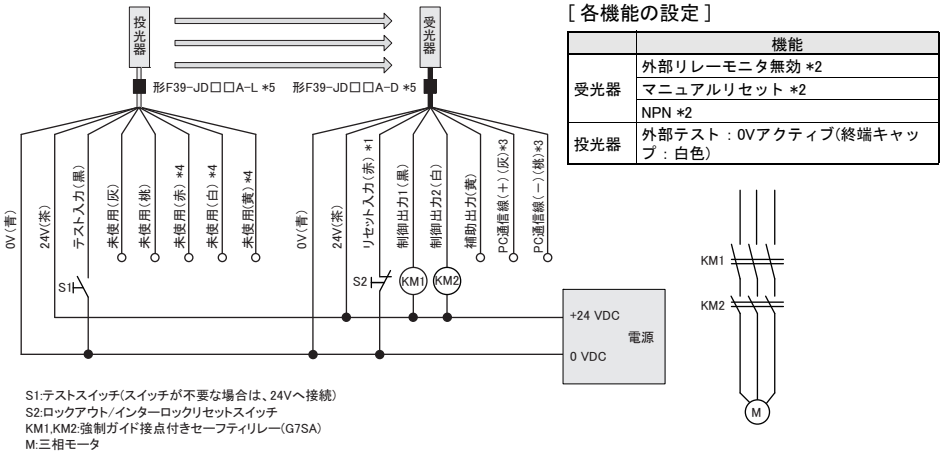
- *1. EDM入力としても使用。
- *2. 各機能を設定ツールで設定可能です。設定ツールによる機能変更の詳細は、セーフティライトカーテン形F3SG用設定ツール(SD Manager 2)ユーザーズマニュアルを参照してください。
- *3. ミュートング機能使用時はミュートング入力として使用。
- *4. 形F39-JD0RA-L投光器用片側コネクタケーブル(耐油延長ケーブル)の場合は、赤色・白色・黄色のケーブル芯線は出ていません。
- *5. 形F39-JD0A-□片側コネクタケーブルを使用する場合は、シールド線を0Vへ接続してください。

10-3. EDM 有効、オートリセットモード、外部テスト 0V アクティブ (機能未使用時)、ミュートング無効、NPN 出力



- *1. 各機能を設定ツールで設定可能です。設定ツールによる機能変更の詳細は、セーフティライトカーテン形F3SG用設定ツール(SD Manager 2)ユーザーズマニュアルを参照してください。
- *2. 外部テスト機能を使用する場合は、テストスイッチ(a接点)を介して0Vへ接続してください。
- *3. ロックアウトリセット機能を使用する場合は、ロックアウトリセットスイッチ(b接点)をリセット入力線にKM1/KM2接点と直列に接続してください。
- *4. ミュートング機能使用時は、ミュートング入力として使用。
- *5. 形F39-JD□□A-L投光器用片側コネクタケーブル(耐油延長ケーブル)の場合は、赤色・白色・黄色のケーブル芯線は出ていません。
- *6. 形F39-JD□□A-□片側コネクタケーブルを使用する場合は、シールド線を0Vへ接続してください。

10-4. EDM 無効、マニュアルリセットモード、外部テスト 0V アクティブ (機能使用時)、ミュートング有効、NPN 出力



- *1. EDM入力としても使用。
- *2. 各機能を設定ツールで設定可能です。設定ツールによる機能変更の詳細は、セーフティライトカーテン形F3SG用設定ツール(SD Manager 2)ユーザーズマニュアルを参照してください。
- *3. ミュートング機能使用時はミュートング入力として使用。
- *4. 形F39-JD□□A-L投光器用片側コネクタケーブル(耐油延長ケーブル)の場合は、赤色・白色・黄色のケーブル芯線は出ていません。
- *5. 形F39-JD□□A-□片側コネクタケーブルを使用する場合は、シールド線を0Vへ接続してください。


11. 安全距離

安全距離とは、人体や物体が機械の危険部に到達する前に危険部を停止させるため、F3SG-Rと危険部が最下限離されなければならない距離のことです。安全距離は各国の規格や機械の個別規格によって異なります。必ず関連規格を参照してください。



F3SG-RR と危険部の間には、必ず安全距離 (S) を確保してください。機械の危険部に到達する前に機械が止まらず、重傷を負う恐れがあります。



 機械の応答時間とは、機械が停止信号を受信してから機械の危険部が停止するまでの時間です。機械の応答時間は実機で測定してください。また、機械の応答時間に変化がないかどうか、定期的に確認してください。

11-1. ISO 13855/EN ISO 13855 による安全距離の計算式

検出エリアが進入方向と直交する場合

$S=K \times T + C \cdots (1) \text{式}$

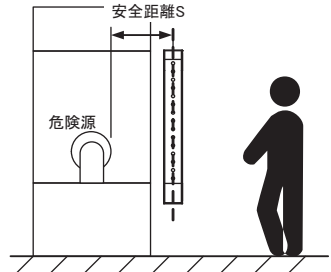
- ・ S: 安全距離
- ・ K: 検出エリアへの侵入速度
- ・ T: 機械と F3SG-RR の合計応答時間
- ・ C: F3SG-RR の最小検出物体から計算された追加距離

最小検出物体 ≤ 40mm のシステムの計算例

$K=2,000\text{mm/s}$ 、 $C=8 \times (d - 14\text{mm})$ として、(1) 式を使用して計算します。

$S=2,000\text{mm/s} \times (T_m + T_s) + 8 \times (d - 14\text{mm})$

- ・ S= 安全距離 (mm)
- ・ T_m = 機械の応答時間 (s)
- ・ T_s =F3SG-RR の ON → OFF への応答時間 (s)
- ・ d =F3SG-RR の最小検出物体 (mm)



[計算例]

$T_m=0.05\text{s}$ 、 $T_s=0.008\text{s}$ 、 $d=14\text{mm}$ のとき :

$S=2,000\text{mm/s} \times (0.05\text{s} + 0.008\text{s}) + 8 \times (14\text{mm} - 14\text{mm})$

$=116\text{mm} \cdots (2) \text{式}$

この計算結果が 100mm 未満の場合は、 $S=100\text{mm}$ とします。

計算結果が 500mm を越える場合は、 $K=1,600\text{mm/s}$ とした次の式で再計算します。

$S=1,600\text{mm/s} \times (T_m + T_s) + 8 \times (d - 14\text{mm}) \cdots (3) \text{式}$

上記 (3) 式の計算結果が 500mm 未満の場合は、 $S=500\text{mm}$ とします。

最小検出物体直径が 40mm より大きいシステムの計算例

$K=1,600\text{mm/s}$ 、 $C=850\text{mm}$ として、(1) 式を使用して計算します。

$S=1,600\text{mm/s} \times (T_m + T_s) + 850 \cdots (4) \text{式}$

- ・ S= 安全距離 (mm)
- ・ T_m = 機械の応答時間 (s)
- ・ T_s =F3SG-RR の ON → OFF への応答時間 (s)

[計算例]

$T_m=0.05\text{s}$ 、 $T_s=0.008\text{s}$ のとき :

$S=1,600\text{mm/s} \times (0.05\text{s} + 0.008\text{s}) + 850\text{mm}$

$=942.8\text{mm}$

検出エリアの上方を越えて迂回する接近の場合

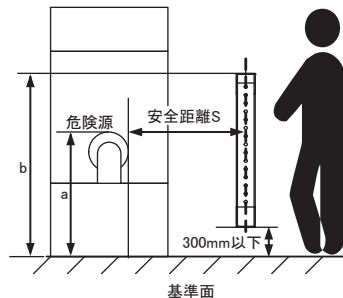
垂直に設置した F3SG-RR の検出エリアの上方を越えて機械の危険部に接近することを防ぐことができない場合、これを考慮して F3SG-RR の高さおよび安全距離 S を決定する必要があります。下記の式で計算した安全距離 S と検出エリアが進入方向と直交する場合 で計算した安全距離 S を比較して、より大きな値を安全距離 S としなければなりません。

$$S=(K \times T) + Cro \dots (5) \text{ 式}$$

- ・ S: 安全距離
- ・ K: 検出エリアへの侵入速度
- ・ T: 機械と F3SG-RR の合計応答時間
- ・ Cro: 検出エリアの上方を越えて機械の危険部に人体が接近できる距離に基づいた侵入距離。機械の危険部の高さ a と検出エリア上端の高さ b により、下表から決まります。

注. 検出エリア下端が基準面から 300mm を超える場合は、検出エリアの下をくぐる接近に対して十分な保護ができません。

まず K=2,000mm/s として、(5) 式を使用して計算します。この計算結果が 100mm 未満の場合は、S=100mm とします。
この計算結果が 500mm を超える場合は、K=1,600mm/s として、再計算します。この計算結果が 500mm 未満の場合は、S=500mm とします。



機械の危険部の高さ a	検出エリア上端の高さ b											
	900	1000	1100	1200	1300	1400	1600	1800	2000	2200	2400	2600
	侵入距離 Cro											
2600	0	0	0	0	0	0	0	0	0	0	0	0
2500	400	400	350	300	300	300	300	300	250	150	100	0
2400	550	550	550	500	450	450	400	400	300	250	100	0
2200	800	750	750	700	650	650	600	550	400	250	0	0
2000	950	950	850	850	800	750	700	550	400	0	0	0
1800	1100	1100	950	950	850	800	750	550	0	0	0	0
1600	1150	1150	1100	1000	900	850	750	450	0	0	0	0
1400	1200	1200	1100	1000	900	850	650	0	0	0	0	0
1200	1200	1200	1100	1000	850	800	0	0	0	0	0	0
1000	1200	1150	1050	950	750	700	0	0	0	0	0	0
800	1150	1050	950	800	500	450	0	0	0	0	0	0
600	1050	950	750	550	0	0	0	0	0	0	0	0
400	900	700	0	0	0	0	0	0	0	0	0	0
200	600	0	0	0	0	0	0	0	0	0	0	0
0	0	0	0	0	0	0	0	0	0	0	0	0

注1. 迂回またはまたぎに対して十分な保護を提供しないため、検出エリア上端の高さが900mm未満の場合は含まれていません。
注2. 表の値を補間してはいけません。a、bまたはCroが上表の2つの値の間にある場合、安全距離Sがより大きくなる値を使用してください。

[計算例]

- ・ T: Tm + Ts (s)
- ・ Tm: 機械の応答時間 (s)
- ・ Ts: F3SG-RR の ON → OFF への応答時間 (s)
- ・ a: 機械の危険部の高さ (mm)
- ・ b: 検出エリア上端の高さ (mm)

$T_m=0.05s, T_s=0.008s, a=1,400mm, b=1,500mm$ のとき :

上表より、 $C_{ro}=850mm$ です。 b が $1,400mm$ と $1,600mm$ の間にあるため、 C_{ro} の値の大きい $b=1,400mm$ を使います。

$$S=2,000mm/s \times (0.05s + 0.008s) + 850mm = 966mm$$

966mm は 500mm を超えるため、 $K=1,600mm/s$ として再計算します。

$$S=1,600mm/s \times (0.05s + 0.008s) + 850mm = 942.8mm$$

この式で計算した $S=942.8mm$ は 検出エリアが進入方向と直交する場合 の計算例 $S=116mm$ より大きいため、必要となる安全距離は $S=942.8mm$ となります。

 11-1. ISO 13855/EN ISO 13855による安全距離の計算式 検出エリアが進入方向と直交する場合

検出エリアが進入方向と平行な場合

$K=1,600mm/s, C=(1200-0.4 \times H)$ として (1) 式を使用して計算します。

ただし C は 850mm 未満にならないようにしてください。

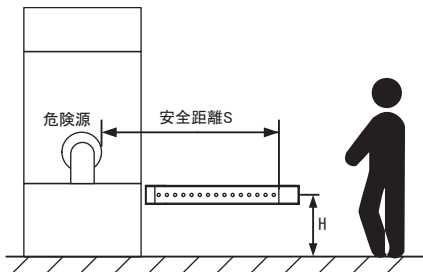
$$S=1,600mm/s \times (T_m + T_s) + 1200 - 0.4 \times H$$

- ・ S = 安全距離 (mm)
- ・ T_m = 機械の応答時間 (s)
- ・ T_s = F3SG-RR の ON → OFF への応答時間 (s)
- ・ H = F3SG-RR の設置高さ (mm)

ただし H は以下の式を満たすようにしてください。

$$1000 \geq H \geq 15(d - 50mm) \geq 0mm$$

また、 H が 300mm(工業目的以外では 200mm) を超えると 検出エリアの下をくぐりぬける可能性があることをリスクアセスメントに考慮する必要があります。



[計算例]


$T_m=0.05s, T_s=0.008s, d=14mm$ のとき :

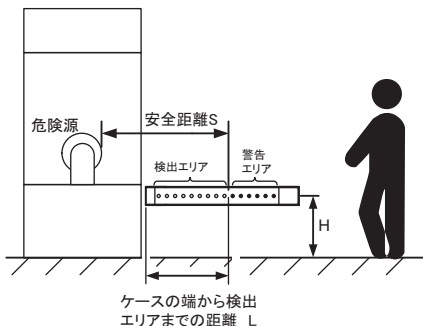
$$S=1,600mm/s \times (0.05s + 0.008s) + 1200 - 0.4 \times 500mm = 1092.8mm$$

警告エリアを図のように設定している場合はケースの端から検出エリアまでの距離 L を以下の式から計算してください。

$$L = (F3SG-RR \text{ の総光軸数} - \text{警告エリアの光軸数} - 1) \times P + 10$$

- ・ P : 光軸ピッチ (mm)
- F3SG-4RR □□□□ -14 ···· 10mm
- F3SG-4RR □□□□ -30 ···· 20mm

 F3SG-RRの合計光軸数については、F3SG-Rシリーズユーザーズマニュアルを参照してください。



11-2. ANSI B11.19 による安全距離の計算式

人体が F3SG-RR の検出エリアに対して垂直に侵入する場合、安全距離は次に示す考え方によって計算されます。

$$S=K \times (T_s+T_c+T_r+T_{bm})+D_{pf}$$

・ S: 安全距離

・ K: 検出エリアへの侵入速度 (OSHA 規格による推奨値は 1,600mm/s)

侵入速度 K は、ANSI B.11.19 規格では定義されていません。適用する K の値を決定する際には、オペレータの身体能力を含むあらゆる要因を考慮してください。

・ T_s = 機械の停止時間 (s)

・ T_r =F3SG-RR の ON → OFF への応答時間 (s)

・ T_c = 機械のブレーキを作動させるのに要する機械制御回路の最大応答時間 (s)

・ T_{bm} = 追加時間 (s)

機械がブレーキモニタを備えている場合は、「 T_{bm} = ブレーキモニタ設定時間 - (T_s+T_c)」となります。ブレーキモニタを備えていない場合は (T_s+T_c) の 20% 以上を追加時間とすることを推奨します。

・ D_{pf} = 追加距離

ANSI の公式では、 D_{pf} の算出は以下ようになります。

$D_{pf}=3.4 \times (d - 7.0)$: ここで d は F3SG-RR の最小検出物体 (単位: mm)

[計算例]

$K=1,600\text{mm/s}$ 、 $T_s + T_c=0.06\text{s}$ 、ブレーキモニタ設定時間 =0.1s、

$T_r=0.008\text{s}$ 、 $d=14\text{mm}$ のとき :

$T_{bm}=0.1 - 0.06=0.04\text{s}$

$D_{pf}=3.4 \times (14 - 7.0)=23.8\text{mm}$

$S=1,600 \times (0.06+0.008+0.04) + 23.8=196.6\text{mm}$

12. 取り付け・光軸調整

12-1. フリーロケーション金具（形 F39-LGRA）を取りつける場合

■外形寸法図（取り付け位置確認）

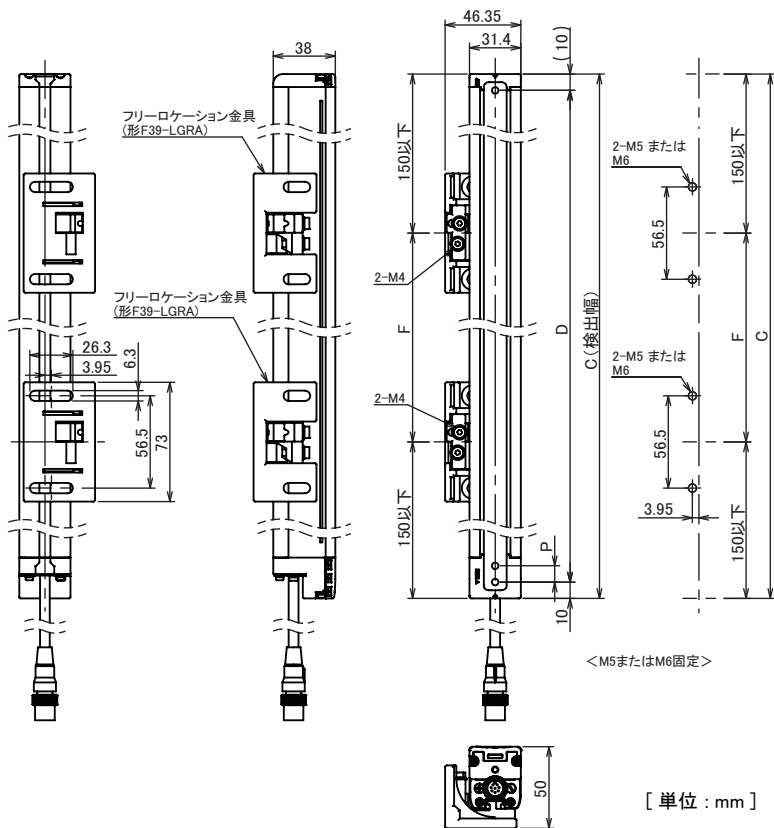
[背面取り付け時]

Step1

取り付け位置確認

Step2

取り付け



[単位：mm]

寸法C	形式中の4桁の数字（検出幅）	
寸法D	C-20	
寸法P	形F3SG-4RR□□□□-14	10
	形F3SG-4RR□□□□-25	20

検出幅(C)	フリーロケーション金具の数 *1	寸法F
0240～1200	2 *2	1000mm以下
1280～1920	3	1000mm以下

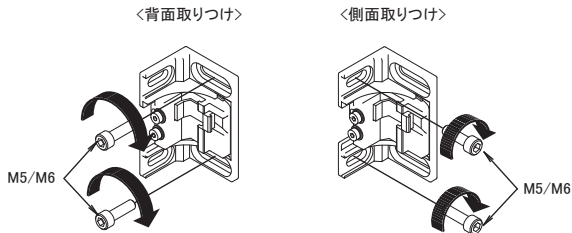
*1. センサ片側(投光器または受光器)の取り付けに必要な数量です。

*2. 検出幅が0240の場合、センサ片側につき1個でも取り付け可能です。この場合、寸法Cの2分の1の位置（センサ縦方向の中央）に本金具を取りつけてください。

📖 側面取り付け時の外形寸法図については、F3SG-RRシリーズユーザーズマニュアルを参照してください。

■取り付け方法

1. 金具を壁面に取り付けます。



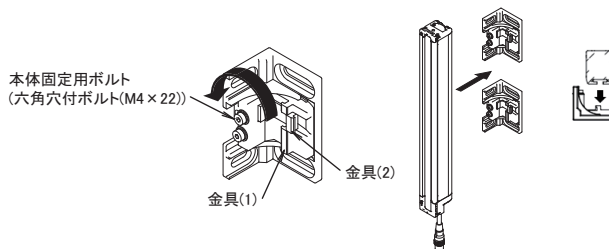
Step1
取り付け
位置確認

↓

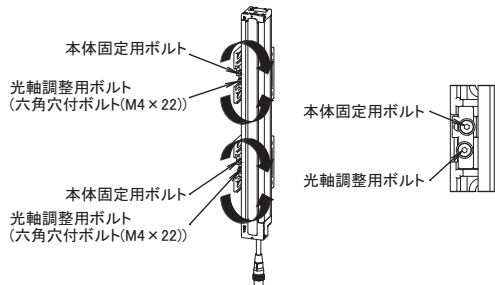
Step2
取り付け

💡 壁面への取り付けネジは付属していません。

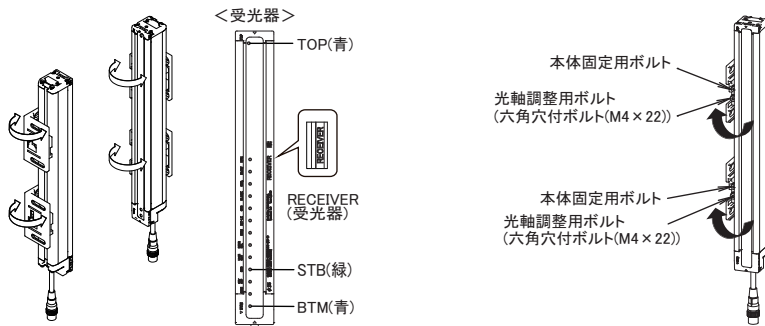
2. 本体固定用ボルトを緩め、本体をはめてください。



3. 本体固定用ボルトを固定し(締め付けトルク: 3.0N・m)、光軸調整用ボルトを緩めます。



4. 表示灯を参考に光軸を調整し、光軸調整ボルトを固定します。(締め付けトルク: 3.0N・m)



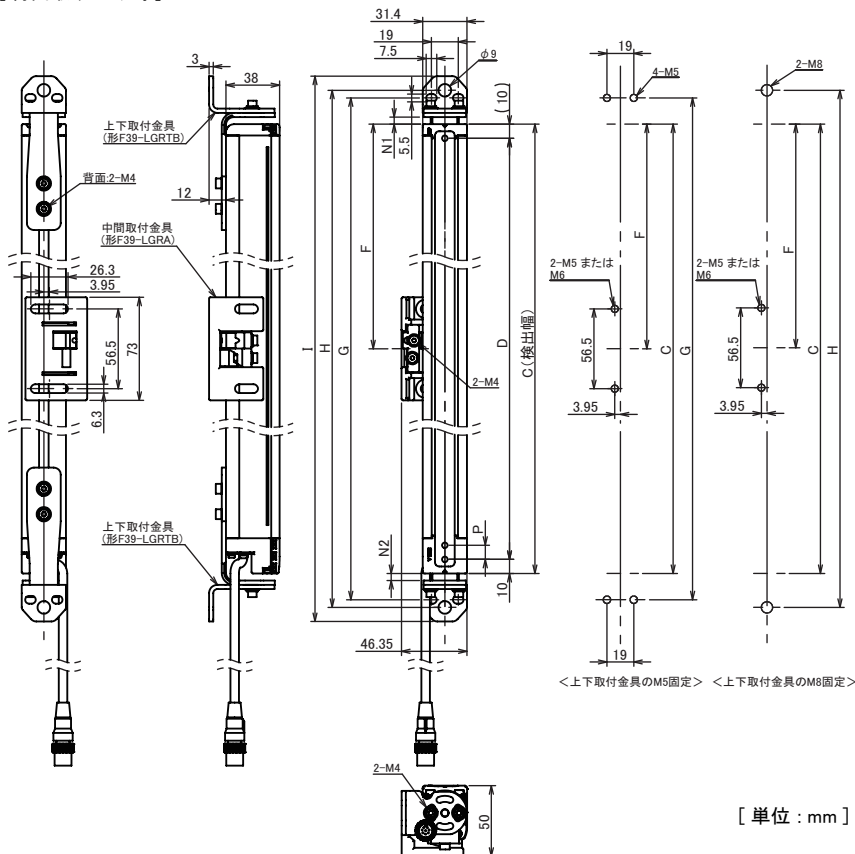
💡 フリーロケーション金具の角度調整範囲は±15°です。

12-2. 上下取付金具(形F39-LGRTB)を取りつける場合

■外形寸法図(取り付け位置確認)

[背面取り付け時]

- Step1
取り付け位置確認
- Step2
取り付け
- Step3
光軸調整



<上下取付金具のM5固定> <上下取付金具のM8固定>

[単位: mm]

寸法C	形式中の4桁の数字(検出幅)	
寸法D	C-20	
寸法G	C+27.2+N1+N2	
寸法H	C+38+N1+N2	
寸法I	C+58+N1+N2	
寸法N1	0~30	
寸法N2	0~13	
寸法P	形F3SG-4RR□□□□-14	10
	形F3SG-4RR□□□□-25	20

検出幅(C)	上下取付金具の数*	中間取付金具の数*	寸法F
0240~1040	2	0	-
1120~1920	2	1	1000mm以下

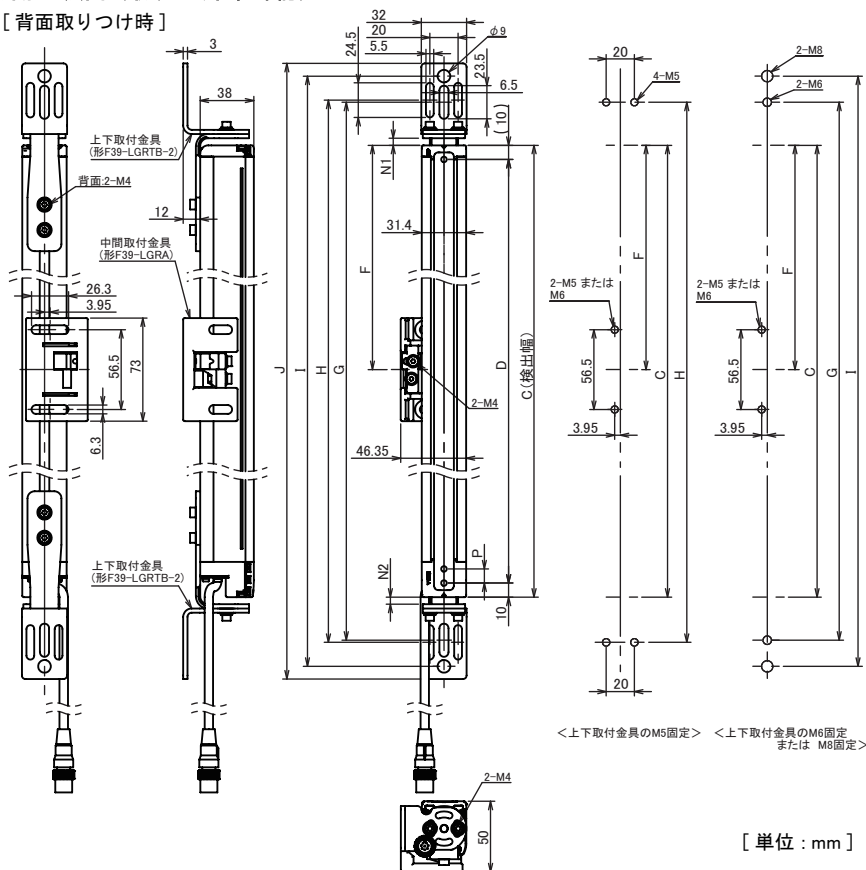
* センサ片側(投光器または受光器)の取り付けに必要な数量です。

側面取り付け時の外形寸法図については、F3SG-RRシリーズユーザーズマニュアルを参照してください。

12-3. 上下取付金具（形 F39-LGRTB-2）を取りつける場合

■外形寸法図（取り付け位置確認）

[背面取り付け時]



寸法C	形式中の4桁の数字（検出幅）	
寸法D	C-20	
寸法G	C+51+N1+N2	
寸法H	C+54+N1+N2	
寸法I	C+88+N1+N2	
寸法J	C+106+N1+N2	
寸法N1	0~30	
寸法N2	0~13	
寸法P	形F3SG-4RR□□□□-14	10
	形F3SG-4RR□□□□-25	20

検出幅(C)	上下取付金具の数 *	中間取付金具の数 *	寸法F
0240~1040	2	0	-
1120~1920	2	1	1000mm以下

* センサ片側(投光器または受光器)の取り付けに必要な数量です。

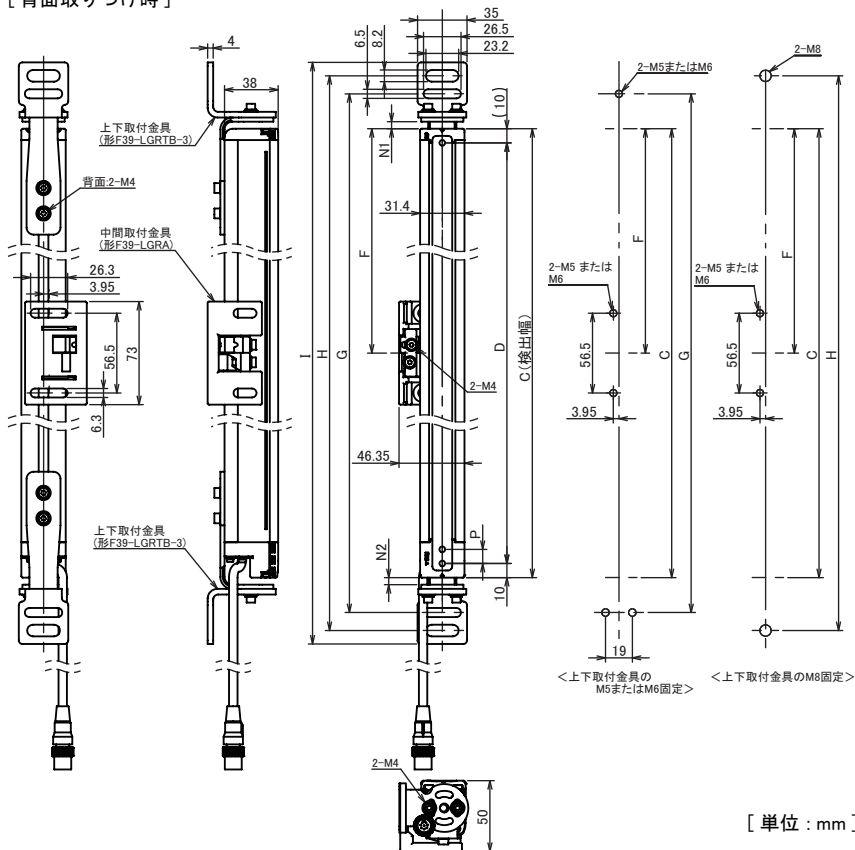
側面取り付け時の外形寸法図については、F3SG-RRシリーズユーザーズマニュアルを参照してください。

12-4. 上下取付金具(形F39-LGRTB-3)を取りつける場合

■外形寸法図(取り付け位置確認)

[背面取り付け時]

- Step1
取り付け位置確認
- ↓
- Step2
取り付け
- ↓
- Step3
光軸調整



[単位: mm]

寸法C	形式中の4桁の数字(検出幅)	
寸法D	C-20	
寸法G	$C+39.5+N1+N2$	
寸法H	$C+65+N1+N2$	
寸法I	$C+84+N1+N2$	
寸法N1	0~30	
寸法N2	0~13	
寸法P	形F3SG-4RR□□□□-14	10
	形F3SG-4RR□□□□-25	20

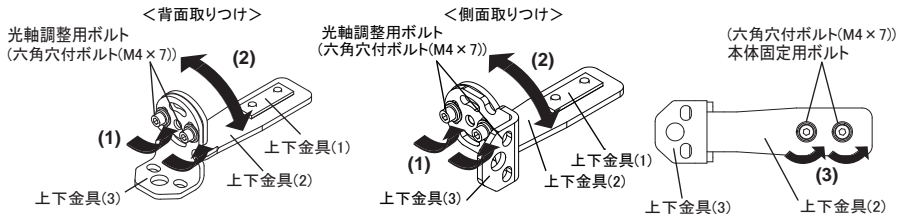
検出幅(C)	上下取付金具の数*	中間取付金具の数*	寸法F
0240~1040	2	0	-
1120~1920	2	1	1000mm以下

* センサ片側(投光器または受光器)の取り付けに必要な数量です。

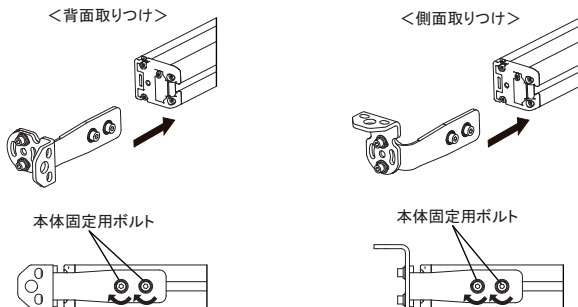
📖 側面取り付け時の外形寸法図については、F3SG-RRシリーズユーザーズマニュアルを参照してください。

■取り付け方法と光軸調整

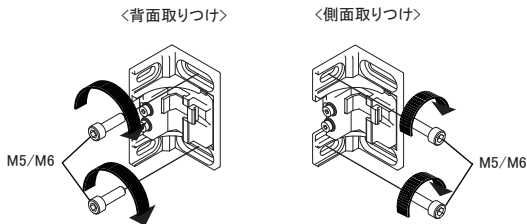
1. 光軸調整用ボルトを緩め角度を調整し、上下金具(2)の本体固定用ボルトを緩めます。



2. F3SG-RR の筐体 (黄色のエリア) 内に上下金具 (1) の全体が位置するように固定してください。
(推奨締め付けトルク: 3.0N・m)

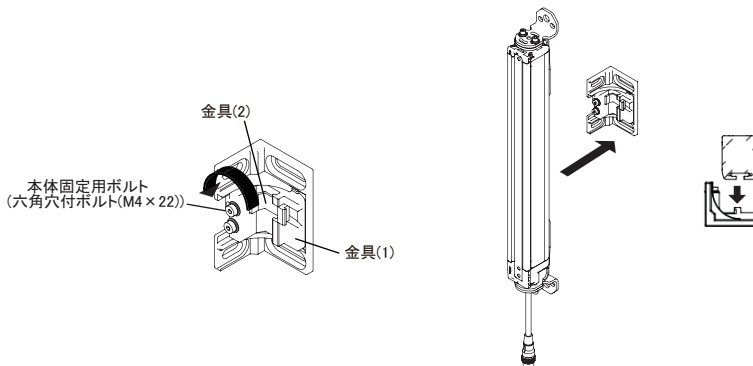


3. 中間取付金具を壁面に固定します。(中間取付金具使用時のみ)



💡 側面への取付ネジは付属していません。

4. 本体固定用ボルトを緩め、本体をはめてください。(中間取付金具使用時のみ)

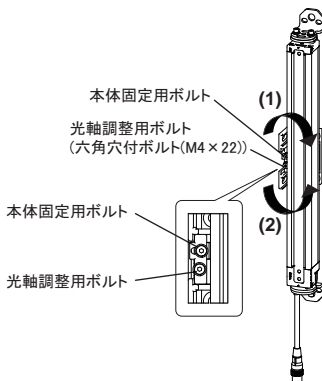


5. 本体固定用ボルトを固定し（締め付けトルク：3.0N・m）、光軸調整用ボルトを緩めます。
（中間取付金具使用時のみ）

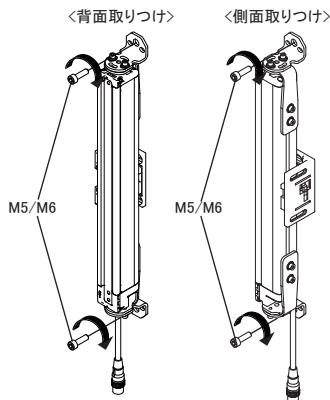
Step1
取り付け
位置確認

Step2
取り付け

Step3
光軸調整

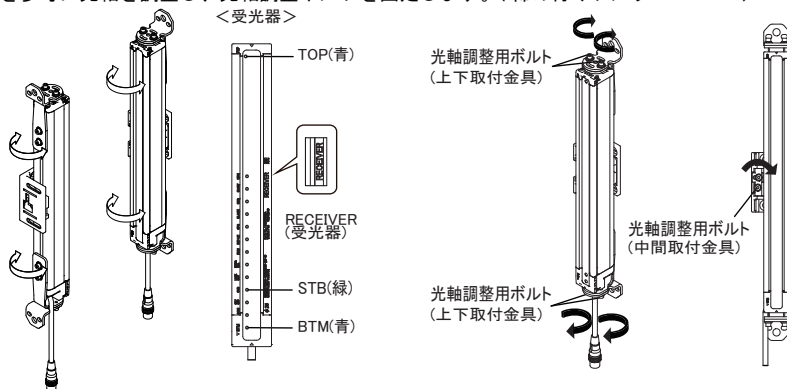


6. 上下取付金具を壁面に固定します。



💡 壁面への取り付けネジは付属していません。

7. 表示灯を参考に光軸を調整し、光軸調整ボルトを固定します。（締め付けトルク：3.0N・m）



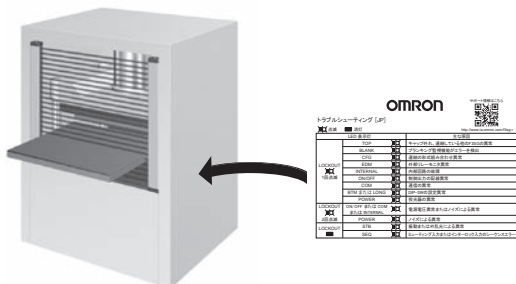
💡 上下取付金具のみの場合、角度調整範囲は±22.5°です。
中間取付金具を併用する場合、角度調整範囲は±15°になります。



13. 動作チェック

ロータリーSW・終端キャップ設定、配線、取り付け・光軸調整が終わったら、F3SG-RRの動作チェックを実施してください。

必要に応じて添付のトラブルシューティングステッカを形F3SG-RRの近くに貼ってください。



トラブルシューティング方法については、F3SG-RRシリーズユーザーズマニュアルまたはウェブサイトも参照してください。



<http://www.ia.omron.com/f3sg-r>

ご承諾事項

当社商品は、一般工業製品向けの汎用品として設計製造されています。従いまして、次に掲げる用途での使用を意図しておらず、お客様が当社商品をこれらの用途に使用される際には、当社は当社商品に対して一切保証をいたしません。ただし、次に掲げる用途であっても当社の意図した特別な商品用途の場合や特別の合意がある場合は除きます。

- (a) 高い安全性が必要とされる用途（例：原子力制御設備、燃焼設備、航空・宇宙設備、鉄道設備、昇降設備、娯楽設備、医用機器、安全装置、その他生命・身体に危険が及ぶ用途）
- (b) 高い信頼性が必要な用途（例：ガス・水道・電気等の供給システム、24時間連続運転システム、決済システムほか権利・財産を取扱う用途など）
- (c) 厳しい条件または環境での用途（例：屋外に設置する設備、化学的汚染を被る設備、電磁的妨害を被る設備、振動・衝撃を受ける設備など）
- (d) カタログ等に記載のない条件や環境での用途

* (a) から (d) に記載されている他、本カタログ等記載の商品は自動車（二輪車含む。以下同じ）向けではありません。自動車に搭載する用途には利用しないで下さい。自動車搭載用商品については当社営業担当者にご相談ください。

* 上記は適合用途の条件の一部です。当社のベスト、総合カタログ、データシート等最新版のカタログ、マニュアルに記載の保証・免責事項の内容をよく読んでご使用ください。

オムロン株式会社 インダストリアルオートメーションビジネスカンパニー

●製品に関するお問い合わせ先

お客様相談室

フリー通話 **0120-919-066**

携帯電話・PHS・IP電話などではご利用いただけませんので、下記の電話番号へおかけください。

電話 **055-982-5015** (通話料がかかります)

■営業時間：8:00～21:00

■営業日：365日

●FAXやWebページでもお問い合わせいただけます。

FAX **055-982-5051** / www.fa.omron.co.jp

●その他のお問い合わせ

納期・価格・サンプル・仕様書は貴社のお取引先、または貴社担当オムロン販売員にご相談ください。
オムロン制御機器販売店やオムロン販売拠点は、Webページでご案内しています。