

Model **FLV-□PL**

Polarizing Plate

INSTRUCTION SHEET

Thank you for selecting OMRON product. This sheet primarily describes precautions required in installing and operating the product.
Before operating the product, read the sheet thoroughly to acquire sufficient knowledge of the product. For your convenience, keep the sheet at your disposal.

TRACEABILITY INFORMATION:
Importer in EU: OMRON Europe B.V. Wegalaan 67-69, 2132 JD Hoofddorp, The Netherlands
Manufacturer: OMRON CORPORATION, Shiozaki Horikawa, Shimogyo-ku, Kyoto 600-8530 JAPAN

The following notice applies only to products that carry the CE mark:
Notice: This is a class A product. In residential areas it may cause radio interference, in which case the user may be required to take adequate measures to reduce interference.

2280265-2B

© OMRON CORPORATION 2014 All Rights Reserved.

Specifications

Item	Model	FLV-DR3220PL	FLV-DR4415PL	FLV-DR5303PL	FLV-DR6615PL	FLV-DR7030PL	FLV-DR7000PL	FLV-DR9000PL	FLV-DR9030PL	FLV-DR9215PL	FLV-DR12030PL	
Applicable Lighting		FLV-DR3220□	FLV-DR4415□	FLV-DR5303□	FLV-DR6615□	FLV-DR7030□	FLV-DR7000□	FLV-DR9000□	FLV-DR9030□	FLV-DR9215□	FLV-DR12030□	
Ambient Temperature		Operating: 0 to +50°C, Storage: -15 to +60°C (with no icing or condensation)										
Ambient Humidity		Operating and storage: 35% to 85% (with no condensation)										
Vibration Resistance (destructive)		10 to 150 Hz, (0.7mm double amplitude) 80 min. each in X, Y, and Z directions										
Shock Resistance (destructive)		150 m/s ² 3 times each in 6 directions(up/down, left/right, forward/backward)										
Materials		PC										
Weight		Approx.10g	Approx.20g	Approx.20g	Approx.50g	Approx.40g	Approx.50g	Approx.80g	Approx.70g	Approx.80g	Approx.60g	
Accessories		Instruction sheet (this sheet), Mounting frame										Instruction sheet (this sheet), Mounting screws(M1.4 set screw x8)

Item	Model	FLV-DL7260PL	FLV-DL12060PL	FLV-DL15060PL
Applicable Lighting		FLV-DL7260□	FLV-DL12060□	FLV-DL15060□
Ambient Temperature		Operating: 0 to +50°C, Storage: -15 to +60°C (with no icing or condensation)		
Ambient Humidity		Operating and storage: 35% to 85% (with no condensation)		
Vibration Resistance (destructive)		10 to 150 Hz, (0.7mm double amplitude) 80 min. each in X, Y, and Z directions		
Shock Resistance (destructive)		150 m/s ² 3 times each in 6 directions(up/down, left/right, forward/backward)		
Materials		PC		
Weight		Approx.60g	Approx.80g	Approx.90g
Accessories		Instruction sheet (this sheet), Mounting frame		Instruction sheet (this sheet), Mounting screws(M1.4 set screw x8)

Item	Model	FLV-BR6022PL	FLV-BR8532PL	FLV-BR11222PL	FLV-BR14030PL	FLV-BR15020PL	FLV-BR21222PL	FLV-BR21230PL	FLV-BR38037PL	FLV-BR48031PL	
Applicable Lighting		FLV-BR6022□	FLV-BR8532□	FLV-BR11222□	FLV-BR14030□	FLV-BR15020□	FLV-BR21222□	FLV-BR21230□	FLV-BR38037□	FLV-BR48031□	
Ambient Temperature		Operating: 0 to +50°C, Storage: -15 to +60°C (with no icing or condensation)									
Ambient Humidity		Operating and storage: 35% to 85% (with no condensation)									
Vibration Resistance (destructive)		10 to 150 Hz, (0.7mm double amplitude) 80 min. each in X, Y, and Z directions									
Shock Resistance (destructive)		150 m/s ² 3 times each in 6 directions(up/down, left/right, forward/backward)									
Materials		PC									
Polarization direction		Horizontal									
Weight		Approx.10g	Approx.20g	Approx.20g	Approx.30g	Approx.20g	Approx.30g	Approx.40g	Approx.80g	Approx.80g	
Accessories		Instruction sheet (this sheet), Mounting screws(M1.4 set screw x 4)									Instruction sheet (this sheet), Mounting screws(M1.4 set screw x8)

Item	Model	FLV-BR6022PL-V	FLV-BR8532PL-V	FLV-BR11222PL-V	FLV-BR14030PL-V	FLV-BR15020PL-V	FLV-BR21222PL-V	FLV-BR21230PL-V	FLV-BR38037PL-V	FLV-BR48031PL-V	
Applicable Lighting		FLV-BR6022□	FLV-BR8532□	FLV-BR11222□	FLV-BR14030□	FLV-BR15020□	FLV-BR21222□	FLV-BR21230□	FLV-BR38037□	FLV-BR48031□	
Ambient Temperature		Operating: 0 to +50°C, Storage: -15 to +60°C (with no icing or condensation)									
Ambient Humidity		Operating and storage: 35% to 85% (with no condensation)									
Vibration Resistance (destructive)		10 to 150 Hz, (0.7mm double amplitude) 80 min. each in X, Y, and Z directions									
Shock Resistance (destructive)		150 m/s ² 3 times each in 6 directions(up/down, left/right, forward/backward)									
Materials		PC									
Polarization direction		Vertical									
Weight		Approx.10g	Approx.20g	Approx.20g	Approx.30g	Approx.20g	Approx.30g	Approx.40g	Approx.80g	Approx.80g	
Accessories		Instruction sheet (this sheet), Mounting screws(M1.4 set screw x 4)									Instruction sheet (this sheet), Mounting screws(M1.4 set screw x8)

PRECAUTIONS FOR SAFE USE

Please observe the following precautions for safe use of the products.

1. Mounting
 - Always turn off the power of main unit before mounting the polarizing plate. The lighting body may be very hot in lighting turning on.
 - Please be securely tightening the screw.
 - Tightening torque: M1.4:0.07N·m
2. Others
 - Do not attempt to disassemble, deform by pressure, incinerate, repair, or modify this product.
 - When disposing of the product, treat as industrial waste.
 - If you notice an abnormal condition, immediately stop using the product, turn off the power, and consult your dealer.

PRECAUTIONS FOR CORRECT USE

Observe the following to prevent failure, malfunctioning, and adverse effects on performance and the device.

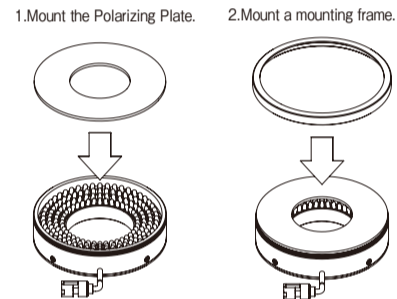
1. Installation site
 - Do not install in the following locations
 - Locations where the ambient temperature exceeds the rated temperature range.
 - Locations subject to sudden temperature changes (where condensation will form).
 - Locations where the relative humidity is below or above 35 to 85% RH.
 - Locations where there are corrosive or flammable gases.
 - Locations where there is dust, salt, or iron powder.
 - Locations where the device will be subject to direct vibration or shock.
 - Locations where there is strong scattered light (laser light, arc welding light, ultraviolet light, etc.)
 - Locations exposed to direct sunlight or next to a heater.
 - Locations where there is splashing or spraying of water, oil, or chemicals.
 - Locations where there is a strong electrical or magnetic field.
2. Cleaning
 - Do not use thinners, benzene, acetone, kerosene to clean the product.
 - Please wipe the contamination with a soft cloth included a small amount of alcohol.
3. Static Electricity
 - LEDs are easily damaged by static electricity. A grounded wrist strap should thus be used when installing or conducting maintenance on the Diffusion Board.

Mounting the Polarizing Plate

① Mounting FLV-DR□PL and FLV-DL□PL

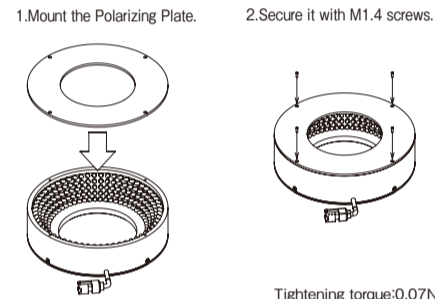
• Mounting frame mount type

Models : FLV-DR3220PL, FLV-DR4415PL, FLV-DR5303PL, FLV-DR6615PL, FLV-DR7030PL, FLV-DR7000PL, FLV-DR9000PL, FLV-DR9030PL, FLV-DR9215PL, FLV-DL7260PL



• Mounting screw mounting type

Models : FLV-DR12030PL, FLV-DL12060PL, FLV-DL15060PL

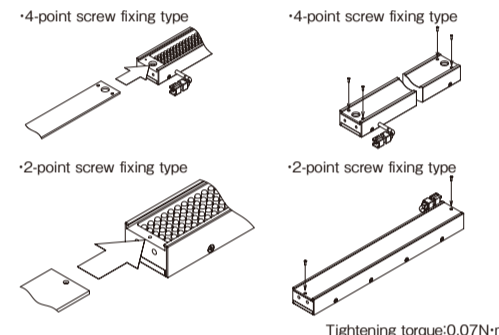


Tightening torque:0.07N·m

② Mounting FLV-BR□PL□

1. Insert the Polarizing Plate from the groove at the end of the illumination.

2. Secure it with M1.4 screws.



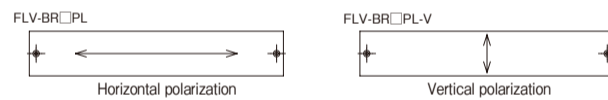
Tightening torque:0.07N·m

③ Mounting direction of FLV-□PL

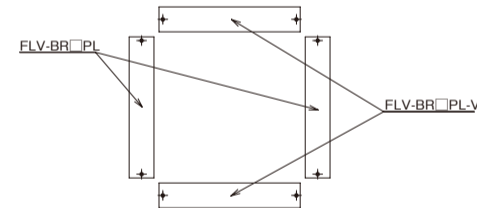
Mount the plate such that the surface with the polarizing film is placed at the work side.

Polarizing direction of FLV-BR□PL□

The polarizing directions of FLV-BR□PL and FLV-BR□PL-V differ as shown below.

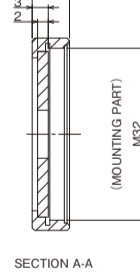
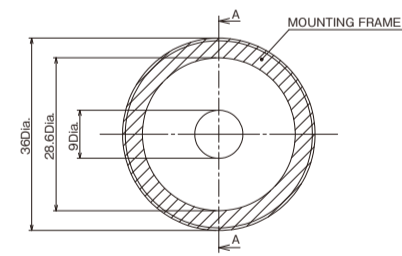


• When arranging the polarizing plates in four mounting directions of FLV-BR□, be sure to use the polarizing plates of the same model for the mutually opposed sides.

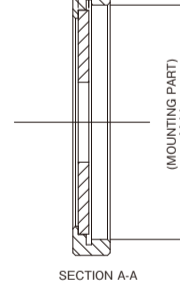
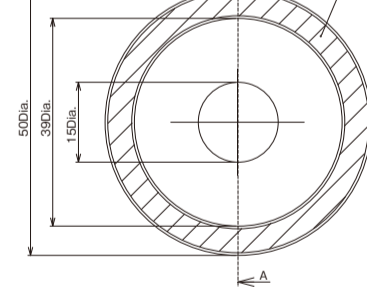


Dimensions (Unit:mm)

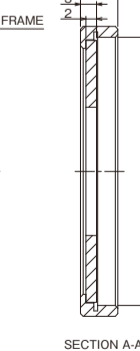
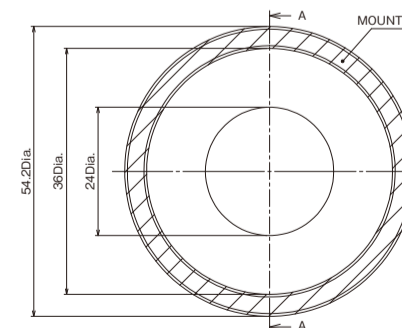
● FLV-DR3220PL



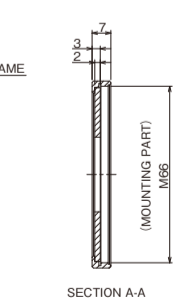
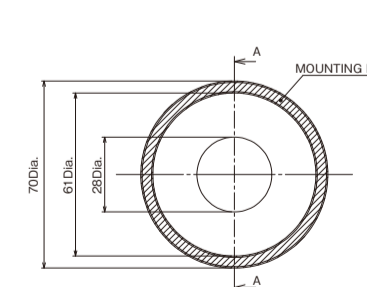
● FLV-DR4415PL



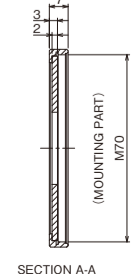
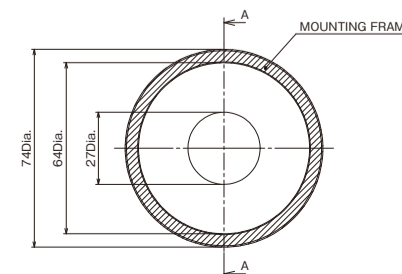
● FLV-DR5303PL



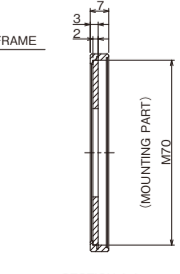
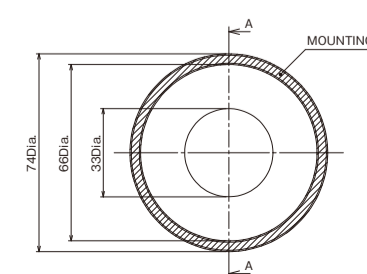
● FLV-DR6615PL



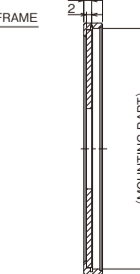
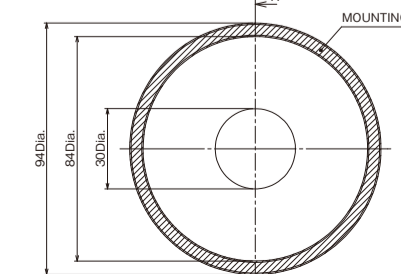
● FLV-DR7030PL



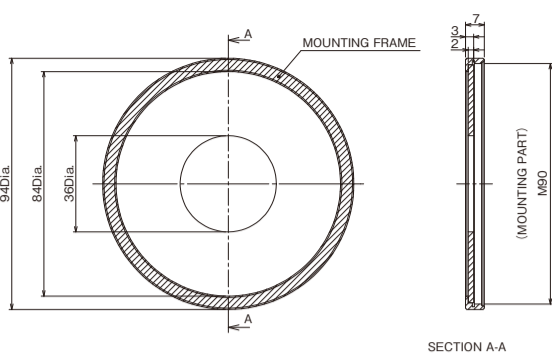
● FLV-DR7000PL



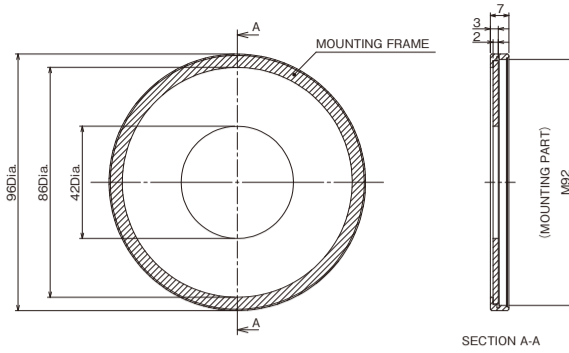
● FLV-DR9000PL



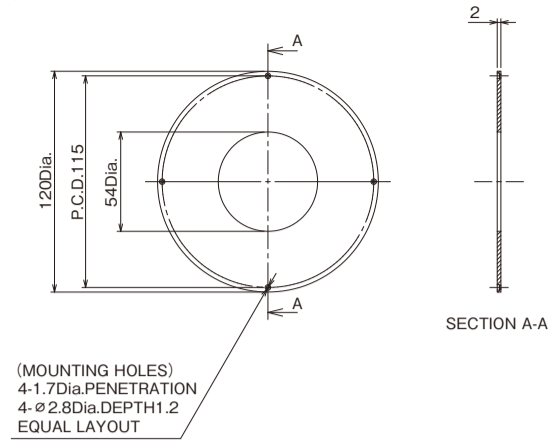
●FLV-DR9030PL



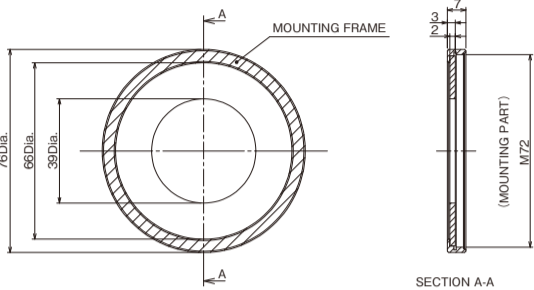
●FLV-DR9215PL



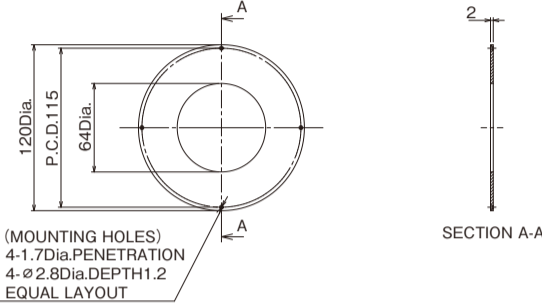
●FLV-DR12030PL



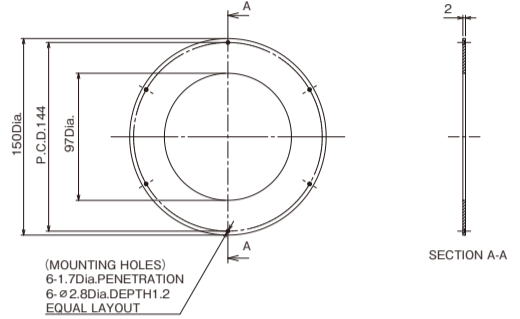
●FLV-DL7260PL



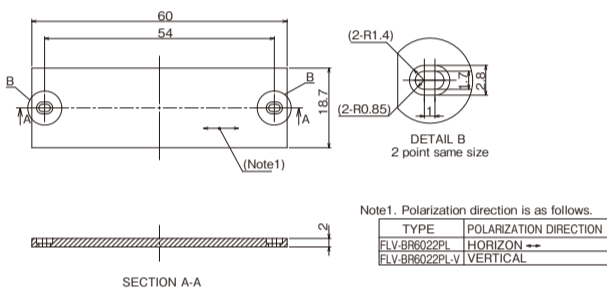
●FLV-DL12060PL



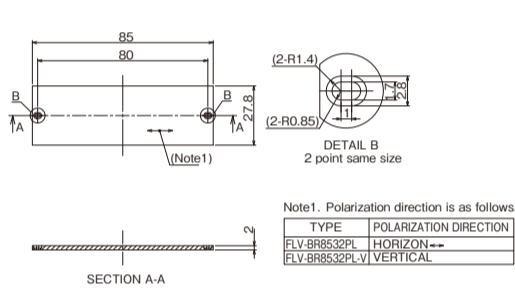
●FLV-DL15060PL



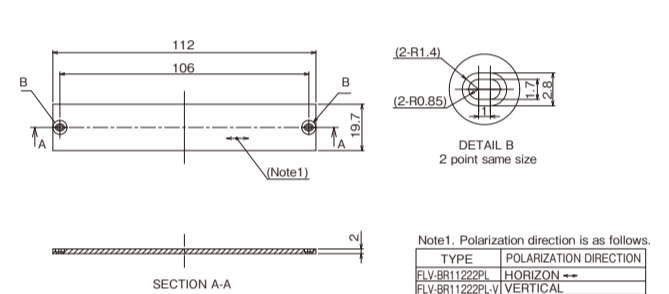
●FLV-BR6022PL/FLV-BR6022PL-V



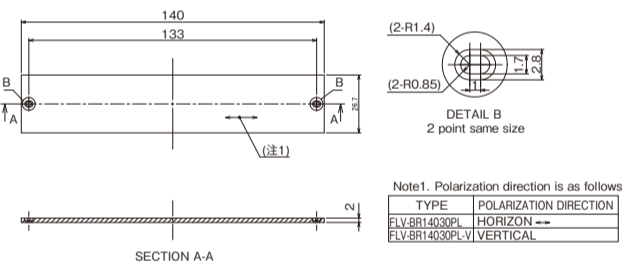
●FLV-BR8532PL/FLV-BR8532PL-V



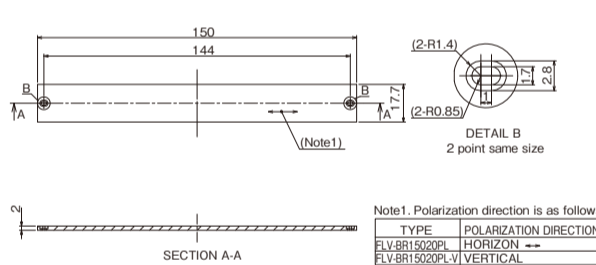
●FLV-BR11222PL/FLV-BR11222PL-V



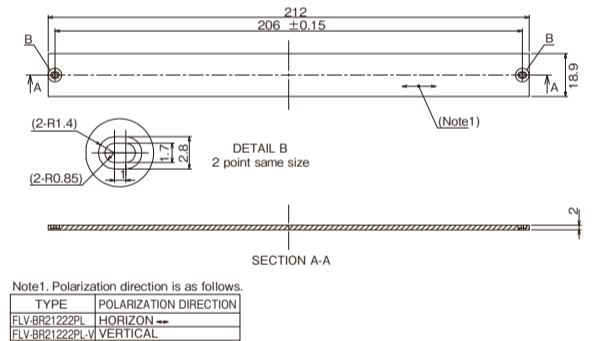
●FLV-BR14030PL/FLV-BR14030PL-V



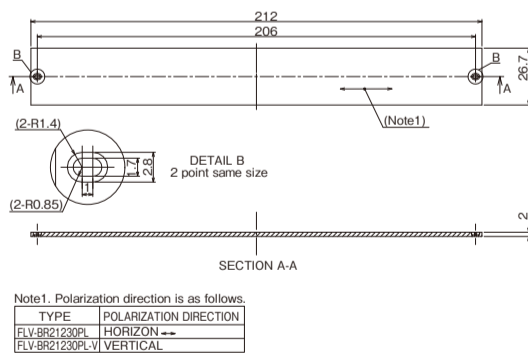
●FLV-BR15020PL/FLV-BR15020PL-V



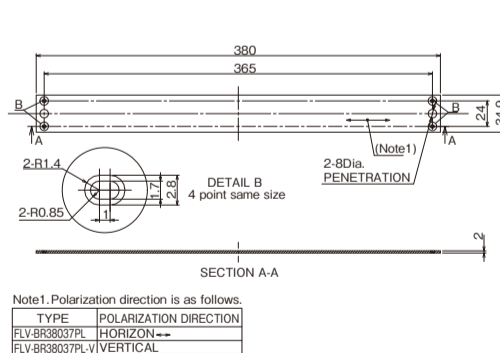
●FLV-BR21222PL/FLV-BR21222PL-V



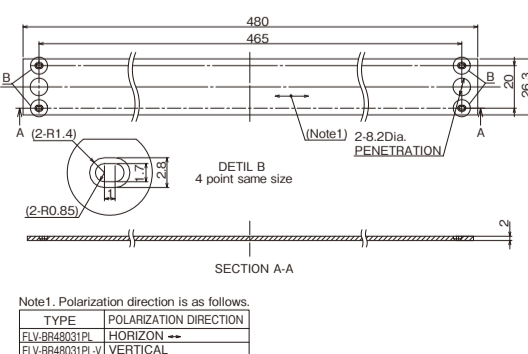
●FLV-BR21230PL/FLV-BR21230PL-V



●FLV-BR38037PL/FLV-BR38037PL-V



●FLV-BR48031PL/FLV-BR48031PL-V



Suitability for Use

Omron Companies shall not be responsible for conformity with any standards, codes or regulations which apply to the combination of the Product in the Buyer's application or use of the Product. At Buyer's request, Omron will provide applicable third party certification documents identifying ratings and limitations of use which apply to the Product. This information by itself is not sufficient for a complete determination of the suitability of the Product in combination with the end product, machine, system, or other application or use. Buyer shall be solely responsible for determining appropriateness of the particular Product with respect to Buyer's application, product or system. Buyer shall take application responsibility in all cases.

NEVER USE THE PRODUCT FOR AN APPLICATION INVOLVING THAT SERIOUS RISK TO LIFE OR PROPERTY WITHOUT ENSURING THAT THE SYSTEM AS A WHOLE HAS BEEN DESIGNED TO ADDRESS THE RISKS, AND THAT THE OMRON PRODUCT(S) IS PROPERLY RATED AND INSTALLED FOR THE INTENDED USE WITHIN THE OVERALL EQUIPMENT OR SYSTEM. See also Product catalog for Warranty and Limitation of Liability.

OMRON Corporation Industrial Automation Company
Tokyo, JAPAN Contact: www.ia.omron.com

Regional Headquarters

- **OMRON EUROPE B.V.**
Sensor Business Unit
Carl-Benz-Str. 4, D-71154 Nufringen, Germany
Tel: (49) 7032-811-0/Fax: (49) 7032-811-199
- **OMRON ELECTRONICS LLC**
2895 Greenspoint Parkway, Suite 200
Hoffman Estates, IL 60169 U.S.A.
Tel: (1) 847-843-7900/Fax: (1) 847-843-7787
- **OMRON ASIA PACIFIC PTE. LTD.**
No. 438A, Alexandra Road # 05-05/08 (Lobby 2),
Alexandra Technopark,
Singapore 119967
Tel: (65) 6835-3011/Fax: (65) 6835-2711
- **OMRON (CHINA) CO., LTD.**
Room 2211, Bank of China Tower,
200 Yin Cheng Zhong Road,
PuDong New Area, Shanghai, 200120, China
Tel: (86) 21-5037-2222/Fax: (86) 21-5037-2200

D Oct, 2014