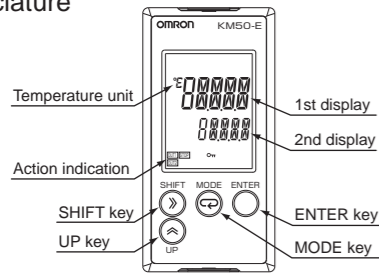


**Nomenclature**



**Display Screen**

- 1st display**  
Displays the measurement value or type of setting data. When using the 3-STATE function, the backlight color changes.
- 2nd display**  
Displays the unit or the parameter name of the measurement data or setting data.
- Operation display**
  - OUT1: The light turns ON in conjunction with the output set to the OUT1 terminal.
  - OUT2: The light turns ON in conjunction with the output set to the OUT2 terminal.
  - STOP: Lights ON when power is supplied after the time measurement function stops following back-up power failure during power OFF. Lights OFF by setting time data. When using the product with lights ON, measurement data log cannot be recorded.
  - **Key**: Lights ON at protect setting.
- Temperature unit**  
When selecting Celsius in the temperature unit setting, °C is shown. When choosing Fahrenheit, °F is shown.

**Segment display**

	A	B	C	D	E	F	G	H	I	J	K	L	M	N	O	P	Q	R
7SEG	A	b	c	d	E	F	G	H	i	J	k	L	m	n	o	p	q	r
11SEG	A	b	c	d	E	F	G	H	i	J	k	L	M	N	o	P	Q	R

	S	T	U	V	W	X	Y	Z	0	1	2	3	4	5	6	7	8	9	
7SEG	S	t	U	u	v	w	x	Y	z	0	1	2	3	4	5	6	7	8	9
11SEG	S	t	U	v	W	x	Y	Z	0	1	2	3	4	5	6	7	8	9	

**Basic usage**

**Setting Examples**

Applicable circuit type: 1-phase 3-wire  
 Dedicated CT type: 5ACT  
 Time: March 5, 2010, 17:15

**A. After checking the wiring, turn ON the power supply.**

"KM50E" is displayed and EEPROM is read ("MRL" is displayed for 16 sec max). When the power is turned ON for the first time, "E-L" is displayed and STOP turns ON because time has not been set. 3 sec later, active power in measurement mode is displayed. (STOP remains ON).

**B. Set applicable circuit type to 1-phase 3-wire.**

- Press the **ENTER** key for more than 3 sec to go to applicable circuit type "00LYP" in operation setting mode.
- Press the **MODE** key to shift to setting state. Press the **ENTER** key to change the applicable circuit type from "3P3W" to "1P3W", and then press the **ENTER** key to confirm.

**C. Set dedicated CT type to 5ACT.**

- Press the **UP** key to move to dedicated CT type "0 I.L.RG".
- Press the **MODE** key to shift to setting state. Press the **ENTER** key to change the dedicated CT type from "100R" to "5R", and then press the **ENTER** key.

**D. Set the time to March 5, 2010, 17:15.**

- To use the log function, time setting is required.
- Press the **SHIFT** key to move to time setting "1 I.L.M".
  - Press the **MODE** key to shift to setting state. Check that the year is "20 10", and then press the **ENTER** key. Change the value of Month/Date with the **UP** key and shift the digit with the **MODE** key to change the value from "0 1/0 1" to "03/05", and then press the **ENTER** key.
  - Change the value of Hour-Minute with the **UP** key and shift the digit with the **MODE** key to change the value from "00-00" to "17-15", and then press the **ENTER** key. The content of the time setting will be saved and STOP will be turned OFF.
  - Press the **ENTER** key for more than 3 sec to move to measurement mode (measurement start). When you move to measurement mode, the setting will be saved and "5RVE" is displayed. This completes the basic settings.

**Mode configuration and key operation**

Mode Group	Meaning	Necessity of operation and setting
Measurement mode	Basic level	Operate only at reading
	Pro level	Operate only at reading
Protect setting mode	Limit the function	Set only when needed
Setting mode	Basic level	Setting required at first setting
	Pro level	Set only when needed
Communication setting mode	Set the communication function	Set only when using the communication function

- Key operation**  
Monitoring state is a state in which setting value is displayed in protect setting mode and setting mode. Setting state is a state in which setting can be changed.

Symbol	Basic Meaning	Mode	State	Operation	Description
<b>ENTER</b> key	Mode switching Determination	Measurement mode	Measurement history (current day)	press for more than 3 sec	Clear the currently displayed MAX and MIN value of the present day.
		Protect setting mode, Setting mode	Setting state	click	Determine the setting value.
		Operation setting mode	Monitoring state	click	Move to communication setting mode.
		Communication setting mode	Monitoring state	click	Move to operation setting mode.
<b>MODE</b> key	Mode switching Cancel	Measurement mode	Present measurement value, measurement history	press for more than 3 sec	Move to operation setting mode.
		Measurement history		click	Move to present measurement value.
		Setting mode	Monitoring state	press for more than 3 sec	Move to measurement mode.
		Setting state		click	Cancel setting state.
<b>SHIFT</b> key	Transition	Measurement mode	Present measurement value	click	Change parameters.
		Measurement history		click	Switch measurement history display.
		Setting mode	Monitoring state	click	Change parameters.
		Setting state		click	Change digits.
<b>UP</b> key	Shift to setting state Change the setting value	Measurement mode	Present measurement value	click	Move to measurement history.
		Measurement history		click	Move from measurement history.
		Setting mode	Monitoring state	click	Shift to setting state.
		Setting state		click	Change the setting value.
<b>ENTER</b> key while holding the <b>MODE</b> key	Reverse transition	Measurement mode	Present measurement value	click	Change parameters in reverse.
		Measurement history		click	Switch the measurement history display.
		Setting mode	Monitoring state	click	Change parameters in reverse.
		Setting state		click	Change digits in reverse.
<b>ENTER</b> key while holding the <b>MODE</b> key	Change the setting value in reverse	Measurement mode	Measurement history	click	Transit measurement history in reverse.
		Setting mode	Setting state	click	Change the setting value in reverse.
<b>ENTER</b> key	Mode switching	Measurement mode	Present measurement value, measurement history	press for more than 3 sec	Move to protect setting mode.
		Protect setting mode	Monitoring state	press for more than 3 sec	Move to measurement mode.

**Setting mode**

**Operation setting mode Basic level**

Item	Setting range (1st display)	2nd display	Initial value	Remarks	
Applicable circuit type	1P2W, 1P3W, 3P3W, 3P4W	00LYP	3P3W	1P2W: 1-phase 2-wire, 1P3W: 1-phase 3-wire, 3P3W: 3-phase 3-wire, 3P4W: 3-phase 4-wire	
Dedicated CT type	5R, 50R, 100R, 200R, 400R, 600R	0 I.L.RG	100R		
Rated primary side current value	5 to 9999	025CL	5	Effective only when the dedicated CT type is 5A.	
VT setting	VT primary side voltage value	NONE, 220, 440, 3300, 6600, 11000, 22000, 33000	03V.RG	NONE	When the simple measurement is ON, sequentially measure the reactive voltage, VT primary voltage, and VT secondary voltage. Unit: V
	VT secondary side voltage value	110, 220	V.RG2	110	
Current low-cut value	0.1 to 19.9	04.CUL	0.5	Unit: %	
Pulse output unit	1, 10, 100, 1k, 2k, 5k, 10k, 20k, 50k, 100k	05.PL5	100	Unit: Wh	
Display refresh period	OFF, 0.5, 1.0, 2.0, 4.0	06.PEF	1.0	OFF is instantly updated. Unit: Sec	
Averaging times.	Simple measurement	OFF, ON	08.5MP	OFF	At ON, set voltage and power factor, Frequency is 50 Hz fixed.
	Fixed voltage value	0.0 to 9999.9	VLE	110.0	Can be set only at simple measurement ON.
	Fixed power factor value	0.00 to 1.00	PF	1.00	Can be set only at simple measurement ON.
Buzzer	OFF, ON	09. bZ	ON	Set the key operation buzzer sound to ON/OFF.	
CO <sub>2</sub> conversion factor	0.000 to 99.999	10.CO2	0.387	Unit: kg-CO <sub>2</sub> /kWh	
Charge conversion setting (Rate setting and price unit setting)		11.CHG	10.000	Sequentially set the rate and price unit display. 4-digit price unit can be set.	
		JPY, USD, EUR, CNY, KRW R to Z, 0 to 9, /, -, _ (Space)	JPY		
Pulse conversion 1 setting (Pulse conversion target, factor, decimal point position and display unit)		12.CV1	0001	Sequentially set the pulse conversion target, conversion factor, display unit. 4-digit display unit can be set.	
		C-E.d, C-1.d, C-2.d, C-E.R, C-1.R, C-2.R	0000	C-E.d: Sum of pulse input counts	
		0000, 0000.0, 00.00, 0.000	M3-1	C-1.d: Pulse input count 1	
Pulse conversion 2 setting (Pulse conversion target, factor, decimal point position and display unit)		13.CV2	0001	C-2.d: Pulse input count 2	
		C-E.d, C-1.d, C-2.d, C-E.R, C-1.R, C-2.R	0000	C-E.R: Sum of total pulse input counts	
		0000, 0000.0, 00.00, 0.000	M3-2	C-1.R: Total pulse input count 1	
Time setting (Year, month/day, hour/minute)		14.LCM	2010	Year, month/day, and hour/minute should be set continuously. If it was canceled in process, all values will return to previous values. As soon as setting hour and minute, the settings are reflected.	
		0 1/0 1 to 12/3 1	0 1/0 1		
Initialization	SEt, MAr, MCh, ChEG, MPRo, L oG, RL L	15.LM	SEt	SEt: Initialize all setting values except time setting. MAr: Initialize all the max value of parameters of the present day. MCh: Initialize all the min value of parameters of the present day. ChEG: Initialize the total integral power consumption. MPRo: Initialize the measurement values in the Pro level in measurement mode of the present day. L oG: Initialize all the measurement histories. RL L: Initialize set values other than clock time and all measurement histories.	
Moving average time setting	001 to 120	16.MVt	120	Set the moving average time of the Moving average Current. Cancel it during the input or set a value out of the range, come back before a change.	

**Operation setting mode Pro level**

Item	Setting range (1st display)	2nd display	Initial value	Remarks	
Event input setting	P.CSP, H-ON, H-ON	30.ECS	P.CSP	P.CSP: Electric power consumption rate, H-ON: Pulse input ON time	
Event input 1 NPN/PNP input mode setting	NPN, PNP	31.PN1	PNP	NPN: None voltage input PNP: Voltage input	
Event input 2 NPN/PNP input mode setting	NPN, PNP	32.PN2	PNP	NPN: None voltage input PNP: Voltage input	
Event input 1 N-O/N-C input mode setting	N-O, N-C	33.ON1	N-O	N-O: Normally open N-C: Normally close	
Event input 2 N-O/N-C input mode setting	N-O, N-C	34.ON2	N-O	N-O: Normally open N-C: Normally close	
Measurement start time (*1)	00-00 to 23-59	35.StL	00-00	Time setting later than the measurement end time cannot be made.	
Measurement end time (*1)	00-01 to 24-00	36.EtL	24-00	Time setting earlier than the measurement start time cannot be made.	
3-STATE judgment target	PHR, R, V, NONE	40.EGL	NONE	PHR: Active power, R: Current, V: Voltage, NONE: 3-STATE function not used. When selecting "3-5L" in the event input setting, it is automatically set to NONE.	
3-STATE HIGH threshold	0.1 to 150.0	41.HtH (*2)	50.0	The value cannot be set to the LOW threshold or less. The operating value varies depending on the target to be determined. Unit: % (for rated input)	
3-STATE LOW threshold	0.0 to 149.9	42.LtH (*2)	10.0	The value cannot be set to the HIGH threshold or more. The operating value varies depending on the target to be determined. Unit: % (for rated input)	
3-STATE hysteresis	0.0 to 19.9	43.HYS (*2)	0.0	The operating value varies depending on the target to be determined. Unit: % (for rated input)	
3-STATE color setting	GREEN, ORANG, REd	44.cL		See the remarks. Set colors of HIGH, MIDDLE and LOW states. HIGH: GREEN, MIDDLE: ORANG, LOW: REd	
Output terminal 1 function setting	OFF, P.OLt, RLARM	50.o1	P.OLt	P.OLt: Integral power consumption pulse output, RLARM: Alarm output When selecting "RLARM", the screen moves to the ON/OFF setting of various alarm outputs.	
Output terminal 2 function setting	OFF, P.OLt, RLARM	51.o2	RLARM	P.OLt: Integral power consumption pulse output, RLARM: Alarm output When selecting "RLARM", the screen moves to the ON/OFF setting of various alarm outputs.	
Active power alarm output (Upper/lower thresholds, hysteresis and OFF-/ON-delay)	0.0 to 150.0 0.0 to 19.9 0.0 to 99.9	52.P.AL (*2)		See the remarks. Sequentially set the upper/lower thresholds, hysteresis and OFF-/ON-delay. Upper threshold: 80.0%, Lower threshold: 0.0%, Hysteresis: 5.0%, OFF-delay: 3.0 sec, ON-delay: 0.0 sec	
Regenerated power alarm output (Upper/lower thresholds, hysteresis and OFF-/ON-delay)	0.0 to 150.0 0.0 to 19.9 0.0 to 99.9	53.R.AL (*2)		See the remarks. Sequentially set the upper/lower thresholds, hysteresis and OFF-/ON-delay. Upper threshold: 80.0%, Lower threshold: 0.0%, Hysteresis: 5.0%, OFF-delay: 3.0 sec, ON-delay: 0.0 sec	
Current alarm output (Upper/lower thresholds, hysteresis and OFF-/ON-delay)	0.0 to 120.0 0.0 to 19.9 0.0 to 99.9	54.R.AL (*2)		See the remarks. Sequentially set the upper/lower thresholds, hysteresis and OFF-/ON-delay. Upper threshold: 110.0%, Lower threshold: 0.0%, Hysteresis: 5.0%, OFF-delay: 3.0 sec, ON-delay: 0.0 sec	
Voltage alarm output (Upper/lower thresholds, hysteresis and OFF-/ON-delay)	0.0 to 120.0 0.0 to 19.9 0.0 to 99.9	55.V.AL (*2)		See the remarks. Sequentially set the upper/lower thresholds, hysteresis and OFF-/ON-delay. Upper threshold: 110.0%, Lower threshold: 0.0%, Hysteresis: 5.0%, OFF-delay: 3.0 sec, ON-delay: 0.0 sec	
Power factor alarm output (Upper/lower thresholds, hysteresis and OFF-/ON-delay)	0 to 100 0 to 19 0.0 to 99.9	56.PF.AL (*2)		See the remarks. Sequentially set the upper/lower thresholds, hysteresis and OFF-/ON-delay. Upper threshold: 100%, Lower threshold: 0%, Hysteresis: 5%, OFF-delay: 3.0 sec, ON-delay: 0.0 sec	
Reactive power alarm output (Upper/lower thresholds, hysteresis and OFF-/ON-delay)	0.0 to 150.0 0.0 to 19.9 0.0 to 99.9	57.R.AL (*2)		See the remarks. Sequentially set the upper/lower thresholds, hysteresis and OFF-/ON-delay. Upper threshold: 80.0%, Lower threshold: 0.0%, Hysteresis: 5.0%, OFF-delay: 3.0 sec, ON-delay: 0.0 sec	
Integral power consumption saving selection	-W, VRR.d, VRR.G, VRR.R	60.c.5L	-W	-W: Integral regenerated power consumption VRR.d: Integral leading reactive power consumption VRR.G: Integral lagging reactive power consumption VRR.R: Integral total reactive power consumption	
Automatic rotation setting	Automatic rotation	OFF, ON	61.PtL	OFF	At ON, set the transition time.
	Transition time	1 to 99	RtLM	3	Can be set only at automatic rotation ON.
Measurement parameter display selection	OFF, ON	62.d.5L		See the remarks. Set it for each parameter of the measurement mode. For the charge conversion value, pulse conversion 1 and 2, integral regenerated power consumption, integral leading/lagging/total reactive power consumptions and simple temperature, these initial values are OFF.	
Display lighting time	0 to 99	63.d5P	0	0 is always lighting. Unit: Min	
Incorrect voltage wiring detection	OFF, ON	64.V-E	ON		
Simple temperature setting	Temperature unit	C, F	65.d-U	C	Sequentially set the temperature unit and the temperature correction value.
	Temperature correction value	-50.0 to 50.0	t.Rd	0.0	C: Celsius, Unit: °C, F: Fahrenheit, Unit: °F

\*1 It applies to the pulse input count, power consumption rate, pulse input ON time, 3-STATE integral power consumption and 3-STATE integration time.  
 \*2 When thresholds or hysteresis is set, the operating value which is converted from the setting value (%) is displayed.

**Communication setting mode**

Item	Setting range (1st display)	2nd display	Initial value	Remarks
Protocol selection	COMPF, Modb	80.P5L	COMPF	COMPF: CompoWay/F, Modb: Modbus
Unit No.	CompoWay/F: 0 to 99, Modbus: 1 to 99	81.UNo	1	
Baud rate	1.2k, 2.4k, 4.8k, 9.6k, 19.2k, 38.4k	82.bPS	9.6k	Unit: bps
Data bit length (*1)	7, 8	83.LEN	7	Unit: bit
Stop bit length (*2)	1, 2	84.SbL	2	Unit: bit
Vertical parity	NONE, odd, EVEN	85.PRL	EVEN	
Time to wait for sending	0 to 99	86.SdW	20	Unit: ms

\*1 When protocol is Modbus, data bit length is 8-bit fixed.  
 \*2 When protocol is Modbus, stop bit length cannot be set due to automatic setting. When vertical parity is NONE, the length is 2, when vertical parity is ODD or EVEN, the length is 1.

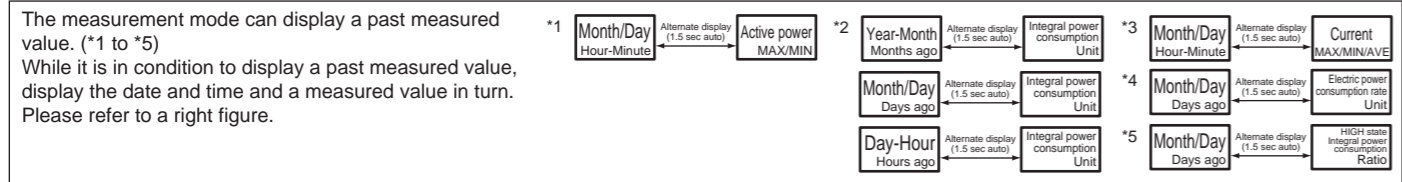
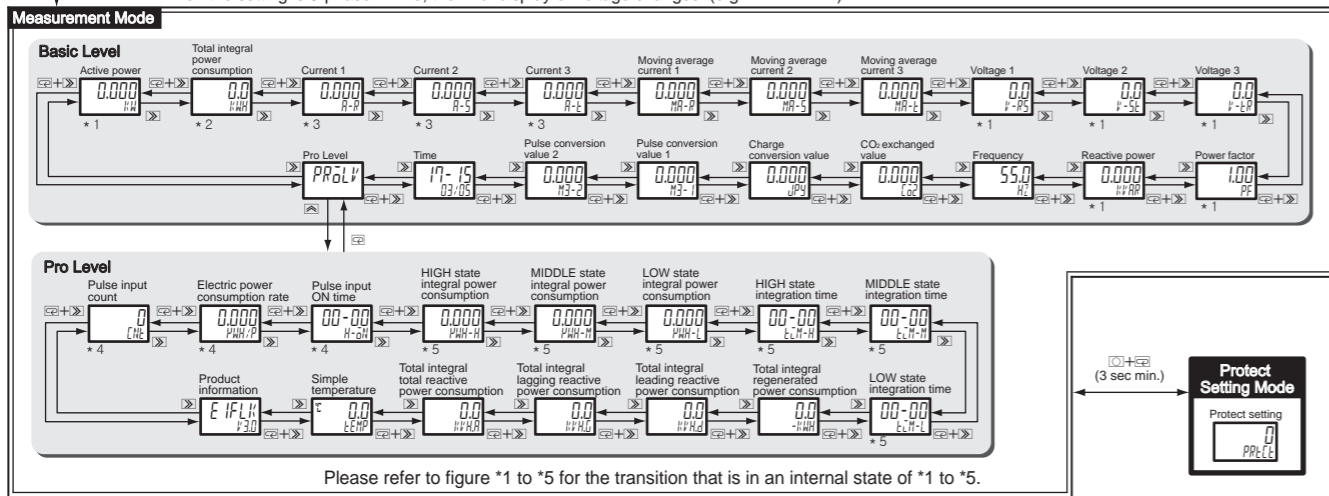
**Protect setting mode**

Setting content	Limit content				
	Displayed value transition	Move to setting mode	Move to pro level	Clear measurement history	Change setting content
0	Yes	Yes	Yes	Yes	Yes
1	Yes	Yes	Yes	No	No
2	Yes	Yes	No	No	No

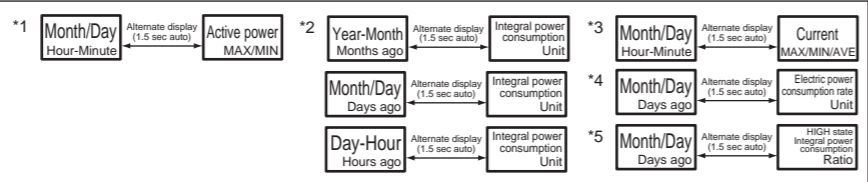
# State Transition

## Power ON

Example of 3-phase 3-wire  
When the setting is 1-phase 2-wire, the current 2, 3 and the voltage 2, 3 are not displayed.  
When the setting is 1-phase 3-wire, the 2nd. display of current and voltage changes. (e.g. R-5→R-H)  
When the setting is 3-phase 4-wire, the 2nd. display of voltage changes. (e.g. V-5t→V-5)

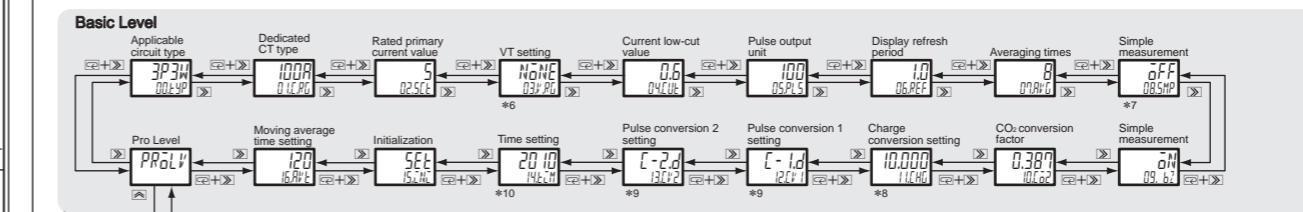


The measurement mode can display a past measured value. (\*1 to \*5)  
While it is in condition to display a past measured value, display the date and time and a measured value in turn.  
Please refer to a right figure.

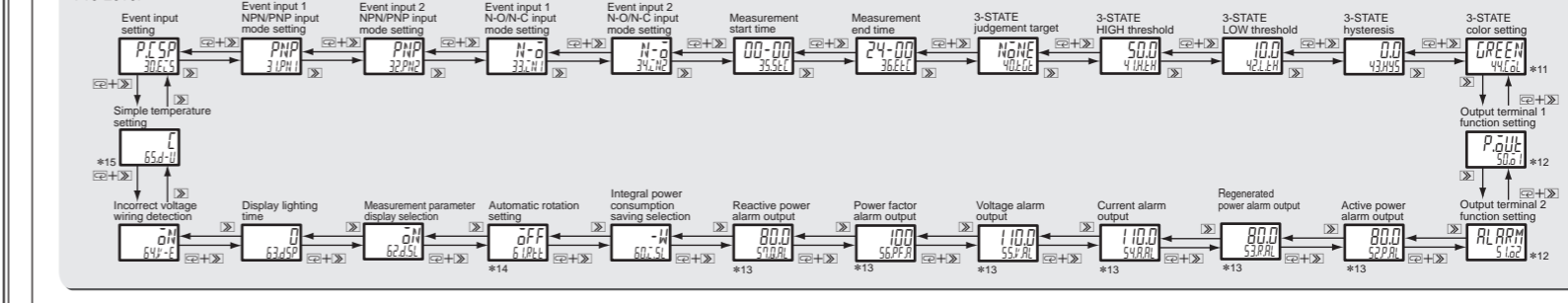


## Setting Mode

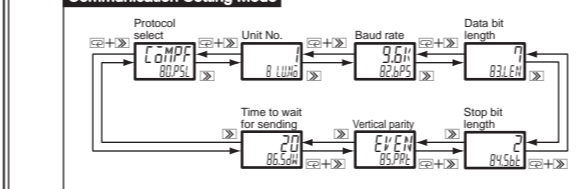
### Operation Setting Mode



### Pro Level



### Communication Setting Mode



Please refer to figure \*6 to \*15 for the transition that is in an internal state of \*6 to \*15.

## Unit to save each measured value

The KM50 model has a function to save various measured values in EEPROM every five minutes, every day or every month. The list of measured values and saving units is shown below:

Measured value	Saving period	Remarks
Integral power consumption	5 min.	Save two days' measured values every 5 min.
	1 hour	Save 25 hours' hourly values which are converted from measured values saved every 5 min.
	1 day	Save 8 days' values measured between 00:00 and 24:00.
	1 month	Save 13 months' values measured for a month.
Active power, current, voltage and power factor (Maximum and minimum values)	1 day	Save 8 days' values measured between 00:00 and 24:00.
Moving average Current (Only the Maximum values)	—	Save the current maximum values of the moving average time. (The moving average current with a product Ver.3.0.)
Pulse input count	5 min.	Save two days' measured values every 5 min.
Electric power consumption rate	1 day	Save 8 days' values measured between 00:00 and 24:00.
3-STATE integral power consumption	1 day	Save 8 days' values measured between 00:00 and 24:00.
3-STATE integration time	1 day	Save 8 days' values measured between 00:00 and 24:00.
Integral regenerated power consumption	5 min.	Save two days' measured values every 5 min.
Integral reactive power consumption	5 min.	Save only items selected in the setting.
Total pulse count inputs	5 min.	Overwrite save the measured value every 5 min.
3-STATE total integral power consumption	5 min.	Overwrite save the measured value every 5 min.
3-STATE total integration time	5 min.	Overwrite save the measured value every 5 min.

Note 1. At the time of power failure, the clock time data is retained for 7 days.

Note 2. User can check the data every 5 min. only through communication.

## Error indication

Description of error	Display	Operation	Restoration method
KM50 internal clock time has not been set.	E-E1	Indicates error at startup and "STOP" is turned ON. Measurement stops and operation disabled during error indication.	Time setting
Built-in memory error (RAM error) (*1)	E-M1	Measurement stop, operation disabled	Hardware repair (*2)
EEPROM error (*1)	E-M2	Measurement stop, operation disabled	Hardware repair (*2)
EEPROM data failed (*1)	E-M3	Measurement stop, operation disabled	Hardware repair (*2)
Calibration value error (*1)	E-M4	Measurement stop, operation disabled	Hardware repair (*2)
Excessive voltage input (*3)	E-51	Displays error and measurement value alternately and continues measurement.	Restore the input signal within to the rated range.
Excessive current input (*3)	E-52	Displays error and measurement value alternately and continues measurement.	Restore the input signal within to the rated range.
Frequency input error (*3)	E-53	Displays error and measurement value alternately and continues measurement.	Restore the input signal (voltage) within to the rated range.
Incorrect wiring detection (*4)	E-54	Displays error and measurement value alternately and continues measurement.	Correct the input signal (voltage) wiring in phase sequence.

\*1 When any of E-M1~M4 errors occurs, all outputs stop and any key operation is not accepted.

\*2 Consult your OMRON representative.

\*3 An error will occur when the input of voltage exceeds 110% of the rated value, current exceeds 120% of the rated value, frequency is below 45 Hz or more than 65 Hz. When the voltage input is 20 V or less, frequency error isn't displayed. When VT is set, the set value of secondary voltage becomes the rated voltage.

\*4 For E-54 error, only when the incorrect voltage wiring detection is set to ON, the error is displayed.

## Troubleshooting

Phenomenon	Description	Point to be checked
Voltage and current are measured but electric power is not correctly measured.	Has CT (Current Transformer) been correctly wired (not in reverse)?	If negative electric power is measured, it might be all the CTs have been mounted oppositely. On the other hand, if the measured value is nearly 0, it might be one of the CTs has been mounted oppositely.
	Is the voltage phase sequence correct?	If the voltage phase sequence is not correct, electric power cannot be measured correctly. Perform correct wiring.

