

V600 RFID System

R/W Heads and Data Carriers

Built-in Battery (SRAM Memory) Models

Large-capacity Battery-less Models

OPERATION MANUAL

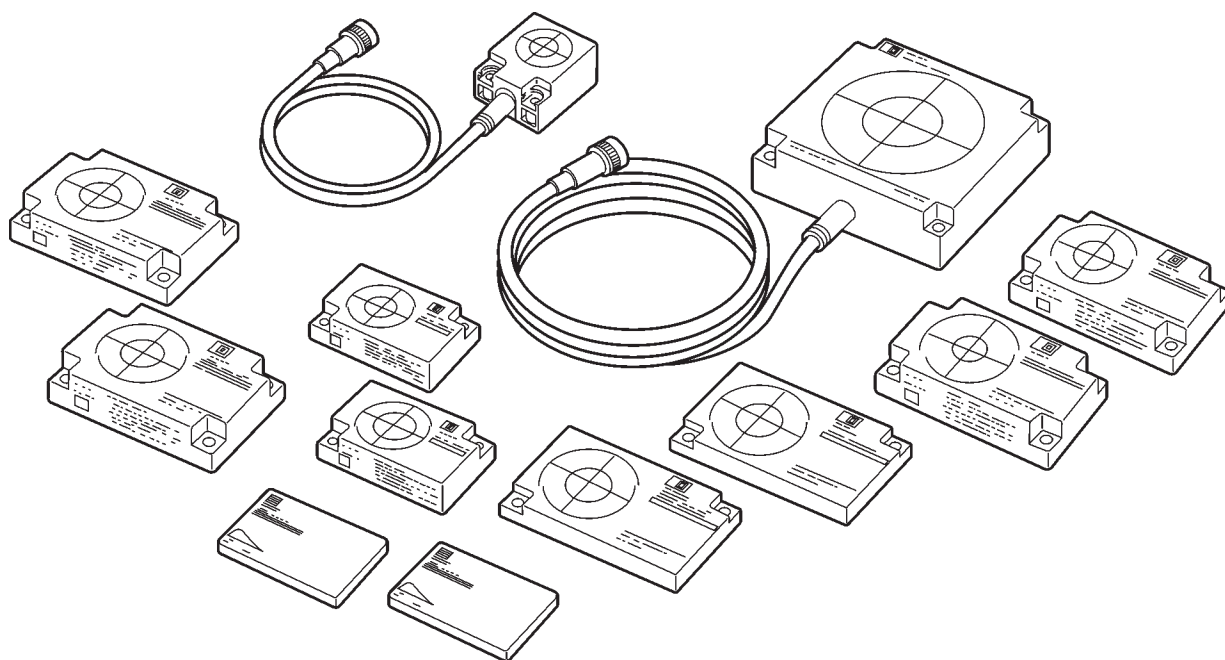
OMRON

V600 RFID System

R/W Heads and Data Carriers

Operation Manual

Revised August 2006



READ AND UNDERSTAND THIS DOCUMENT

Please read and understand this document before using the products. Please consult your OMRON representative if you have any questions or comments.

WARRANTY

OMRON's exclusive warranty is that the products are free from defects in materials and workmanship for a period of one year (or other period if specified) from date of sale by OMRON.

OMRON MAKES NO WARRANTY OR REPRESENTATION, EXPRESS OR IMPLIED, REGARDING NON-INFRINGEMENT, MERCHANTABILITY, OR FITNESS FOR PARTICULAR PURPOSE OF THE PRODUCTS. ANY BUYER OR USER ACKNOWLEDGES THAT THE BUYER OR USER ALONE HAS DETERMINED THAT THE PRODUCTS WILL SUITABLY MEET THE REQUIREMENTS OF THEIR INTENDED USE. OMRON DISCLAIMS ALL OTHER WARRANTIES, EXPRESS OR IMPLIED.

LIMITATIONS OF LIABILITY

OMRON SHALL NOT BE RESPONSIBLE FOR SPECIAL, INDIRECT, OR CONSEQUENTIAL DAMAGES, LOSS OF PROFITS OR COMMERCIAL LOSS IN ANY WAY CONNECTED WITH THE PRODUCTS, WHETHER SUCH CLAIM IS BASED ON CONTRACT, WARRANTY, NEGLIGENCE, OR STRICT LIABILITY.

In no event shall responsibility of OMRON for any act exceed the individual price of the product on which liability is asserted.

IN NO EVENT SHALL OMRON BE RESPONSIBLE FOR WARRANTY, REPAIR, OR OTHER CLAIMS REGARDING THE PRODUCTS UNLESS OMRON'S ANALYSIS CONFIRMS THAT THE PRODUCTS WERE PROPERLY HANDLED, STORED, INSTALLED, AND MAINTAINED AND NOT SUBJECT TO CONTAMINATION, ABUSE, MISUSE, OR INAPPROPRIATE MODIFICATION OR REPAIR.

SUITABILITY FOR USE

THE PRODUCTS CONTAINED IN THIS DOCUMENT ARE NOT SAFETY RATED. THEY ARE NOT DESIGNED OR RATED FOR ENSURING SAFETY OF PERSONS, AND SHOULD NOT BE RELIED UPON AS A SAFETY COMPONENT OR PROTECTIVE DEVICE FOR SUCH PURPOSES. Please refer to separate catalogs for OMRON's safety rated products.

OMRON shall not be responsible for conformity with any standards, codes, or regulations that apply to the combination of products in the customer's application or use of the product.

At the customer's request, OMRON will provide applicable third party certification documents identifying ratings and limitations of use that apply to the products. This information by itself is not sufficient for a complete determination of the suitability of the products in combination with the end product, machine, system, or other application or use.

The following are some examples of applications for which particular attention must be given. This is not intended to be an exhaustive list of all possible uses of the products, nor is it intended to imply that the uses listed may be suitable for the products:

- Outdoor use, uses involving potential chemical contamination or electrical interference, or conditions or uses not described in this document.
- Nuclear energy control systems, combustion systems, railroad systems, aviation systems, medical equipment, amusement machines, vehicles, safety equipment, and installations subject to separate industry or government regulations.
- Systems, machines, and equipment that could present a risk to life or property.

Please know and observe all prohibitions of use applicable to the products.

NEVER USE THE PRODUCTS FOR AN APPLICATION INVOLVING SERIOUS RISK TO LIFE OR PROPERTY WITHOUT ENSURING THAT THE SYSTEM AS A WHOLE HAS BEEN DESIGNED TO ADDRESS THE RISKS, AND THAT THE OMRON PRODUCT IS PROPERLY RATED AND INSTALLED FOR THE INTENDED USE WITHIN THE OVERALL EQUIPMENT OR SYSTEM.

PERFORMANCE DATA

Performance data given in this document is provided as a guide for the user in determining suitability and does not constitute a warranty. It may represent the result of OMRON's test conditions, and the users must correlate it to actual application requirements. Actual performance is subject to the OMRON Warranty and Limitations of Liability.

CHANGE IN SPECIFICATIONS

Product specifications and accessories may be changed at any time based on improvements and other reasons.

It is our practice to change model numbers when published ratings or features are changed, or when significant construction changes are made. However, some specifications of the product may be changed without any notice. When in doubt, special model numbers may be assigned to fix or establish key specifications for your application on your request. Please consult with your OMRON representative at any time to confirm actual specifications of purchased products.

DIMENSIONS AND WEIGHTS

Dimensions and weights are nominal and are not to be used for manufacturing purposes, even when tolerances are shown.

ERRORS AND OMISSIONS

The information in this document has been carefully checked and is believed to be accurate; however, no responsibility is assumed for clerical, typographical, or proofreading errors, or omissions.

PROGRAMMABLE PRODUCTS

OMRON shall not be responsible for the user's programming of a programmable product, or any consequence thereof.

COPYRIGHT AND COPY PERMISSION

This document shall not be copied for sales or promotions without permission.

This document is protected by copyright and is intended solely for use in conjunction with the product. Please notify us before copying or reproducing this document in any manner, for any other purpose. If copying or transmitting this document to another, please copy or transmit it in its entirety.

Meanings of Signal Words

The following signal words are used in this instruction manual.



Indicates a potentially hazardous situation which, if not avoided, will result in minor or moderate injury, or may result in serious injury or death. Additionally there may be significant property damage.

Meanings of Alert Symbols



Indicates the possibility of explosion under specific conditions.

Alert Statements in this Instruction Manual

The following alert statements apply to the products in this instruction manual. Each alert statement also appears at the locations needed in the manual to attract your attention.



Data Carrier Battery

The Data Carrier has a built-in lithium battery. Serious injury may occasionally occur due to ignition or explosion.

Built-in Battery Model: Do not attempt to disassemble the Data Carrier, expose it to pressures that may distort it or to temperatures above 100°C, or dispose of it by incineration.

Battery Replacement Model: Never short-circuit the positive and negative terminals of a battery or charge, disassemble, apply deforming pressure, or expose the battery to fire.



Precautions for Safe Use

To ensure safety, be sure to follow the following precautions:

1. Do not operate this device in any flammable, explosive, or corrosive gas environment.
2. Do not disassemble, repair, or remodel this device.
3. Tighten the base lock screws and terminal block screws completely.
4. If any cable has a locking mechanism, be sure to check that it has been locked before using it.
5. Be sure to follow any other warnings, cautions, and notices given in this manual.
6. In the event that the system gives out a foul smell, is heated abnormally in the main body portion, emits smoke, or exhibits any other abnormal condition, immediately stop using the system and turn off the power.
7. Dispose of this product as industrial waste.

Precautions for Correct Use

Please observe the following precautions to prevent failure to operate, malfunctions, or undesirable effects on product performance.

Installation Site

Install the product at a location where:

- It is not exposed to corrosive gases, dust, metal chips, or salt.
- The operating temperature is within the range stipulated in the specifications.
- There are no sudden variations in temperature (no condensation).
- The relative humidity is within the range stipulated in the specifications.
- No vibration or shock exceeding the values stipulated in the specifications is transmitted directly to the body of the product.
- It is not subject to splashing water, oil, or chemical substances.

Installation

- This product uses 530 kHz frequency band to communicate with Data Carriers. Some devices, such as motors, inverters, switching power supplies, generate electromagnetic waves (i.e., noise) that can affect communications with Data Carriers. If any of these devices are nearby, communications with Data Carriers may be affected or Data Carriers may be destroyed. If the product is to be used near such devices, check the effects on communications before using the product.
- To minimize the general influence of noise, follow the following precautions:
 - (1) Ground any metallic material located around this device to 100 Ω or less.
 - (2) Wire this device keeping the wiring away from high voltage and heavy current.
- Connectors are not waterproof. Do not use the product in a humid environment.
- Do not use any chemical that may affect the materials of the product.

Cleaning

- Do not use any thinner. Resin material and case paint are dissolved by thinner.

Standard Conformity

1. FCC Rules (Federal Communications Commission)

This product complies with Part 15 Subpart C of the FCC rules.

<V600-H07, V600-H11>

FCC ID: E4E6CYSIDV6000190

FCC WARNING

Changes or modifications not expressly approved by the party responsible for compliance could void the user's authority to operate the equipment.

Properly shielded ground cables and connectors must be used for connection to host computer and/or peripherals in order to meet FCC emission limits.

2. EC Declaration of Conformity

Hereby, OMRON Corporation declares that this product is in compliance with essential requirements and other relevant provisions of Directive 1995/5/EC, and satisfy tests for the appropriate requirements of the following relevant standards,

<V600-H07, V600-H11>

Radio: EN 300 330 (05-1999)

EMC: EN 301 489-3 (08-2002) EN 301 489-1 (08-2002)

Safety: EN 60950(IEC 950: 1992+A1: 1993+A2: 1993+A3: 1995+A4: 1997+A11: 1997 modified)

Countries of intended use:

Finland, Germany (Except V600-H07), Sweden



Changes or modifications not expressly approved by the party responsible for compliance could void the user's authority to operate the equipment.

Properly shielded ground cables and connectors must be used for connection to host computer and/or peripherals in order to meet FCC emission limits.

3. Canada (Industrial Canada)

<V600-H07>

IC ID: 1814-K1214

<V600-H11>

IC ID: 850J-K1214

4. South Korea

<V600-H07>

ID: OMR-V60-H07

<V600-H11>

ID: OMR-V60-H11

5. China

<V600-H11>

CMII ID: 2006DJ0989

© **OMRON, 1998**

All rights reserved. No part of this publication may be reproduced, stored in a retrieval system, or transmitted, in any form, or by any means, mechanical, electronic, photocopying, recording, or otherwise, without the prior written permission of OMRON.

No patent liability is assumed with respect to the use of the information contained herein. Moreover, because OMRON is constantly striving to improve its high-quality products, the information contained in this manual is subject to change without notice. Every precaution has been taken in the preparation of this manual. Nevertheless, OMRON assumes no responsibility for errors or omissions. Neither is any liability assumed for damages resulting from the use of the information contained in this publication.

TABLE OF CONTENTS

SECTION 1	
Features and System Configuration	1
1-1 Features	2
1-2 System Configuration	3
SECTION 2	
Specifications	5
2-1 R/W Heads	6
2-2 Data Carriers	8
2-3 Data Carrier Battery Service Life	13
SECTION 3	
Communications Specifications	17
3-1 Transmission Range	18
3-2 Transmission Time	21
3-3 Data Carrier Speed	24
SECTION 4	
Installation	25
4-1 R/W Head Installation	26
4-2 Data Carrier Installation	31
SECTION 5	
Chemical Resistance	35
Appendices	
A Accessories (Sold Separately)	37
B Discontinued Models and Replacements	39
C Other Series	53
Revision History	55

About this Manual:

This manual describes the installation and operation of the V600-series Read/Write Heads and battery-powered SRAM Data Carriers, and includes the sections described below.

Please read this manual carefully and be sure you understand the information provided before attempting to install and operate the Read/Write Heads and Data Carriers. Keep this manual in a convenient location where it can continue to be used for reference and guidance.

Section 1 provides general information on features and system configuration.

Section 2 provides specifications for the Read/Write Heads and Data Carriers.

Section 3 provides communications specifications.

Section 4 explains how to install the Read/Write Heads and Data Carriers.

Section 5 provides information on specific chemicals that affect the Read/Write Heads and Data Carriers.

Appendix A provides information on accessories that can be purchased separately.

Appendix B provides information on discontinued models and their replacements.

Appendix C provides information on particular models to be used in England.



WARNING Failure to read and understand the information provided in this manual may result in personal injury or death, damage to the product, or product failure. Please read each section in its entirety and be sure you understand the information provided in the section and related sections before attempting any of the procedures or operations given.

SECTION 1

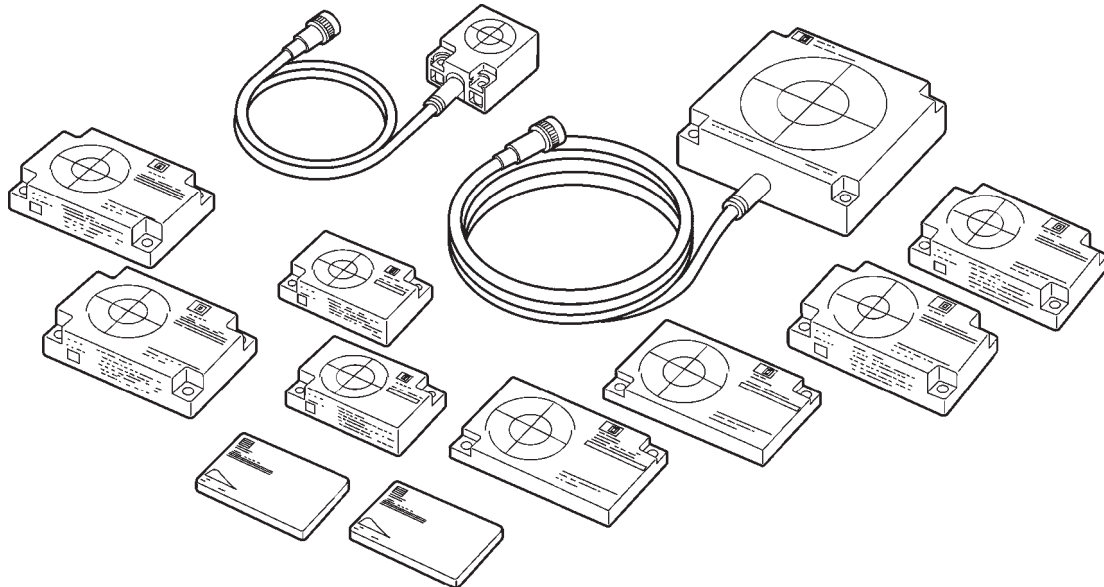
Features and System Configuration

This section provides a general introduction to the V600 RFID System, including the V600-series Read/Write (R/W) Heads and Data Carriers. The V600 RFID System utilizes non-contact data transfer in which data is transmitted electromagnetically without physical contact between the devices.

1-1	Features	2
1-2	System Configuration	3

1-1 Features

The V600 RFID System offers powerful support to the automation of large-scale distributed control systems and multi-model small-scale production systems by means of contactless data communication.



Contactless Data Transfer

The V600 Series uses electromagnetic linking that enables contactless data transmission in both directions between the Data Carrier (DC) and Read/Write (R/W) Head.

Transmission Error Detection Using CRC

A 16-bit CRC (Cyclic Redundancy Check) has been added to detect data errors in both directions in wired transmission between the ID Controller and R/W Head, and in electromagnetic transmission between the R/W Head and DC. This feature also helps to ensure superior transmission reliability even in environments where noise tends to occur.

Superior Durability and High Reliability

The R/W Head and DC offer superior resistance to environmental factors such as vibration, oil, water, and so on.

8K-byte Memory

The DCs have an 8K-byte memory. In addition to essential identification data, information on models and test results can be entered on-site.

Built-in Battery Models

SRAM Memory

SRAM (static random access memory) is used for the DC's memory. There is no limit to the number of times that the memory can be accessed for reading or writing data. The memory is powered by a long-life lithium battery.

Long Battery Life of Eight Years

The battery will last up to eight years in temperatures ranging from -25°C to 70°C (-18°F to 158°F).

Battery Service Life Detection

The projected battery service life can be easily checked by means of a command from the ID Controller, which simplifies battery maintenance.

Battery-less Models

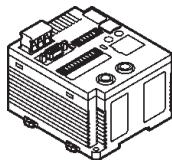
The memory can be accessed for reading or writing 1,000 million times without a battery.

1-2 System Configuration

A V600 RFID System is made up of ID Controllers, R/W Heads, and DCs. A system can be assembled to suit almost any situation with different arrangements of these components.

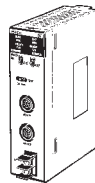
ID Controllers and ID Sensor Units

V600-CA5D02



24 VDC
Host: RS-232C/RS-422/RS-485

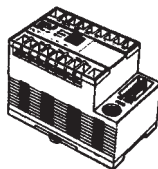
CS1W-V600C11
CS1W-V600C12



CJ1W-V600C11
CJ1W-V600C12

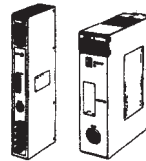


V600-CD1D-V3



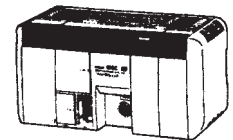
24 VDC
Host: RS-232C

C500-IDS01-V2
C200H-IDS01-V1



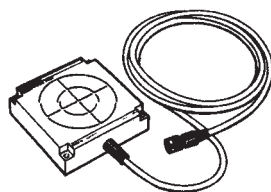
PLC, ID Sensor Units

IDSC-C1DR-A
IDSC-C1DT-A

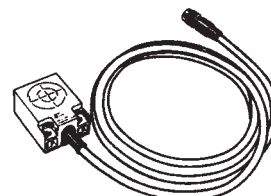


ID Controllers

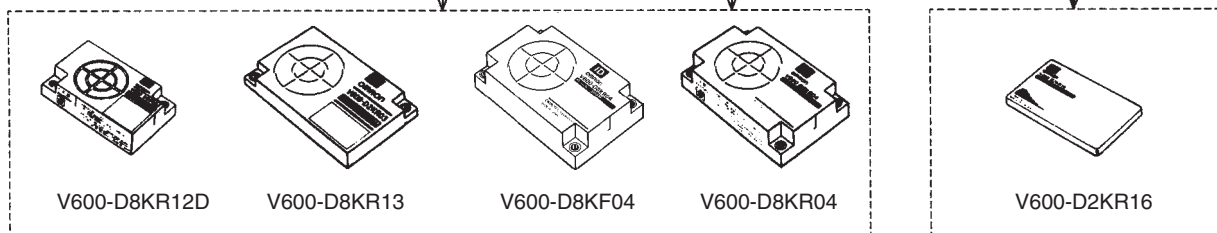
R/W Heads and Data Carriers



V600-H07



V600-H11



Note Refer to Appendix B for details on the availability of V600-H12 and V600-D8KR11.

SECTION 2

Specifications

This section provides Read/Write (R/W) Head and Data Carrier (DC) specifications.

2-1	R/W Heads	6
2-1-1	Specifications and Outer Dimensions	6
2-2	Data Carriers	8
2-2-1	Specifications and Outer Dimensions	8
2-2-2	Memory Map	11
2-2-3	Write Protect Function	11
2-3	Data Carrier Battery Service Life	13
2-3-1	Battery Service Life Factors	13
2-3-2	Battery Service Life Expectancy Check	15

2-1 R/W Heads

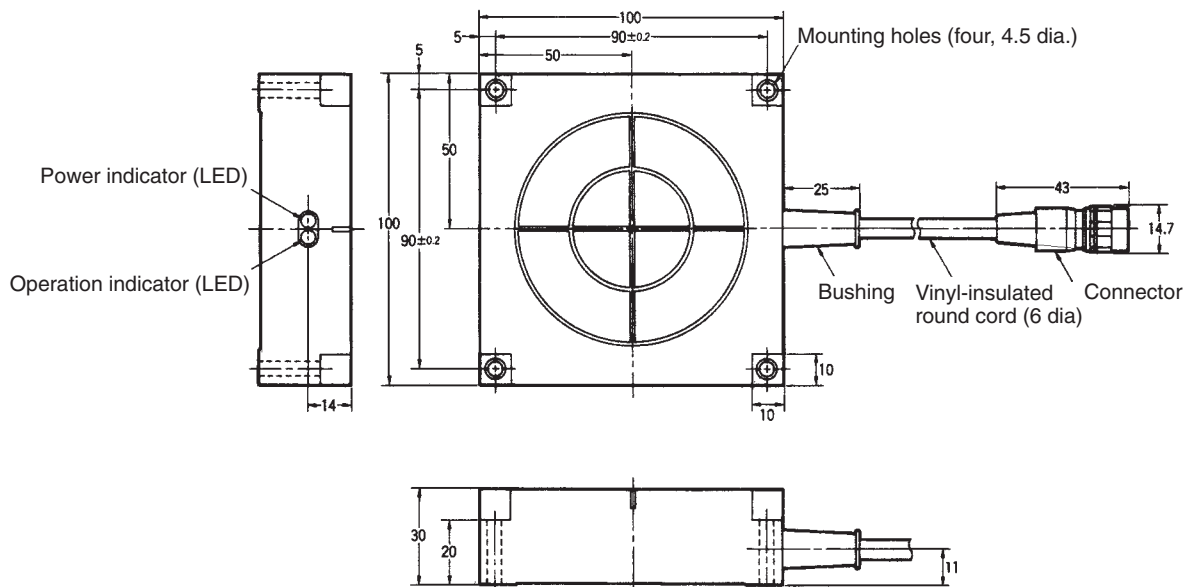
2-1-1 Specifications and Outer Dimensions

V600-H07/V600-H11

Item	Model	
	V600-H07	V600-H11
Operating frequency	530 kHz	
Operating temperature	-25°C to 70°C	-10°C to 60°C
Storage temperature	-40°C to 85°C	-25°C to 75°C
Operating humidity	35% to 95% RH	
Insulation resistance	50 MΩ min. between cable terminals and case (at 500 VDC)	
Dielectric strength	1,000 VAC 50/60 Hz for 1 minute between cable terminals and case.	
Degree of protection (See note.)	Meets or exceeds IEC60529 IP67 and JEM IP67G standards.	
Vibration resistance	10 to 500 Hz, 2.0-mm double amplitude; acceleration: 150 m/s ² (about 15 G); one sweep in each of three axis directions, three sweeps in 11 minutes	
Shock resistance	500 m/s ² (about 50 G) three times each in X, Y, Z directions, total 18 times	
Error detection	16-bit CRC (Cyclic Redundancy Check) is used in both directions of transmission.	
LED indicators	Power supply: green; communications: orange	
Cable length	Standard lengths of 0.5, 2, 5, and 10 m.	
Max. cable length	30.5 m	50.5 m
Weight (approximate)	1 kg (with 10 m cable)	650 g (with 10 m cable)

Note The connectors are not waterproof or oil resistant.

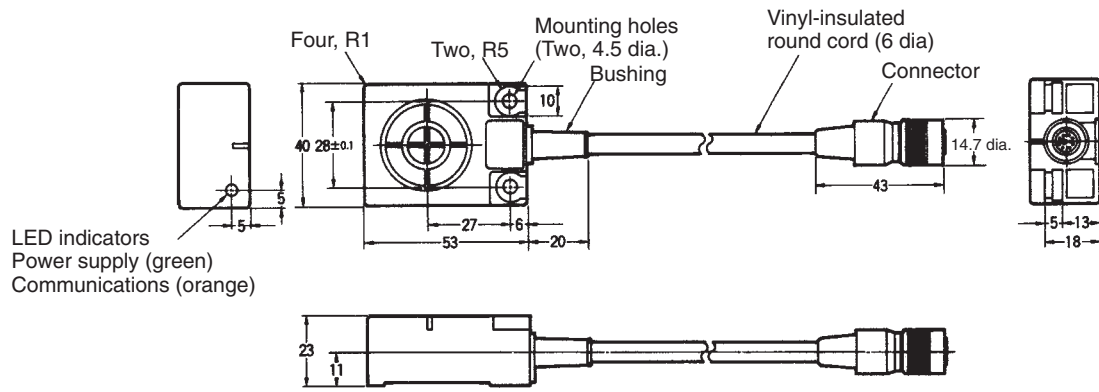
V600-H07



Case material	ABS resin
Fill resin	Epoxy resin
Cable	PVC (oil-resistant)

Note The connectors are not waterproof or oil resistant.

V600-H11



Case material	ABS resin
Fill resin	Epoxy resin
Cable	PVC (oil-resistant)

Note The connectors are not waterproof or oil resistant.

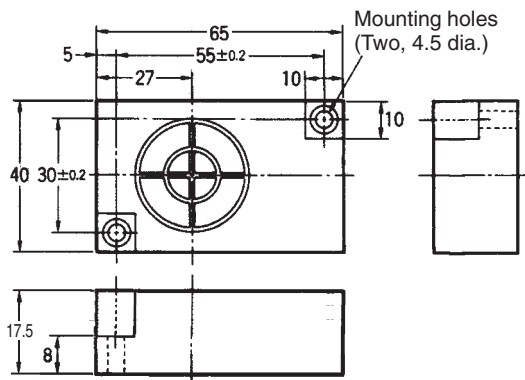
2-2 Data Carriers

2-2-1 Specifications and Outer Dimensions

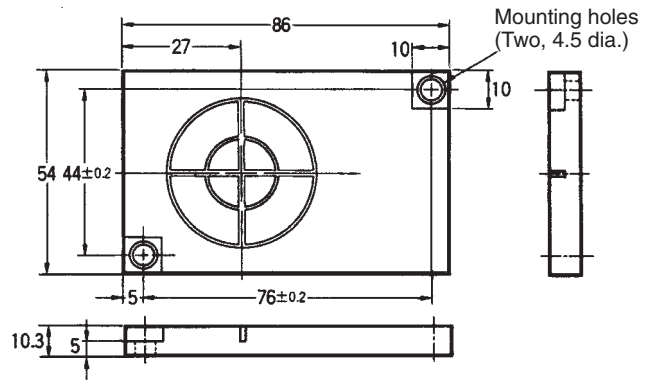
V600-D8KR12D/13/04 (Built-in Battery Models)

Item	Model		
	V600-D8KR12D	V600-D8KR13	V600-D8KR04
Memory capacity	8K bytes		
Memory type	SRAM (static random access memory)		
Battery service life	Refer to the graphs in 2-3 <i>Data Carrier Battery Service Life</i> .		
Number of data read/write conversions	No limit (up to the extent of the battery service life)		
Error detection	16-bit CRC error detection is used in both directions of transmission.		
Operating temperature	Data retention: -40°C to 70°C; read/write: -25°C to 70°C		
Storage temperature	-40°C to 70°C		
Operating humidity	35% to 95% RH		
Degree of protection	Meets or exceeds IEC60529 IP67 standards and JEM IP67G standards.		
Vibration resistance	10 to 500 Hz, 2.0-mm double amplitude; acceleration: 150 m/s ² (about 15 G); one sweep in each of three axis directions, three sweeps in 11 minutes		
Shock resistance	1,000 m/s ² (about 100 G) three times each in X, Y, Z directions, total 18 times		
Weight (approximate)	70 g	70 g	160 g

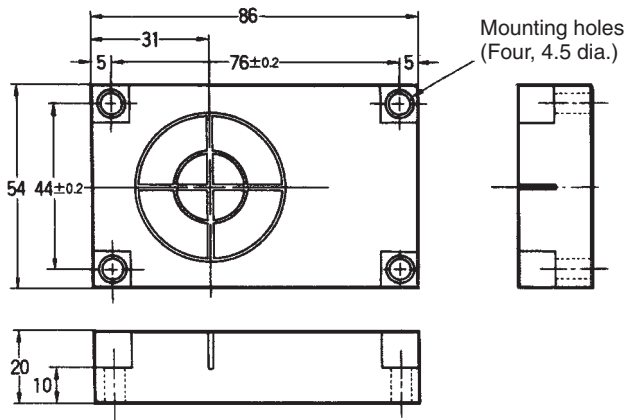
V600-D8KR12D



V600-D8KR13



V600-D8KR04



Case material	ABS resin
Fill resin	Epoxy resin

WARNING

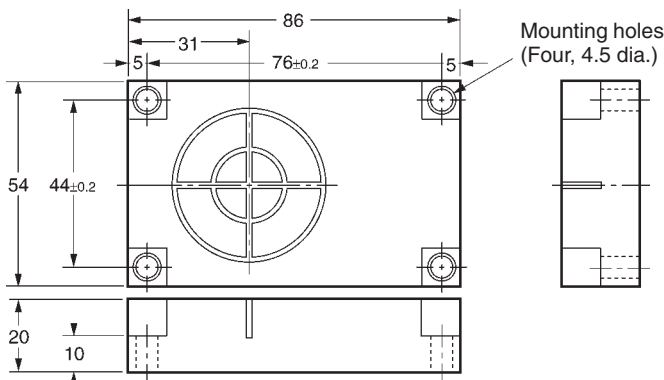
The Data Carrier has a built-in lithium battery. Serious injury may occasionally occur due to ignition or explosion. Do not attempt to disassemble the Data Carrier, expose it to pressures that may distort it or to temperatures above 100°C, or dispose of it by incineration.



V600-D8KF04 (Battery-less Models)

Item	V600-D8KF04
Memory capacity	8K bytes
Memory type	FeRAM (non-volatile memory)
Data-holding time	10 years
Number of data read/write conversions	1,000 million times
Error detection	A 16-bit CRC (Cyclic Redundancy Check) is used in both directions of transmission.
Operating temperature	Data retention: -40°C to 70°C; read/write: -25°C to 70°C
Storage temperature	-40°C to 70°C
Operating humidity	35% to 95% RH
Degree of protection	Meets or exceeds IEC60529 IP67 and JEM IP67G standards for submersion and oil-resistance.
Vibration resistance	10 to 500 Hz, 2.0-mm double amplitude; acceleration: 150 m/s ² (about 15 G); one sweep in each of three axis directions, three sweeps in 11 minutes
Shock resistance	500 m/s ² (about 50 G) three times each in X, Y, Z directions
Weight (approximate)	150 g

V600-D8KF04



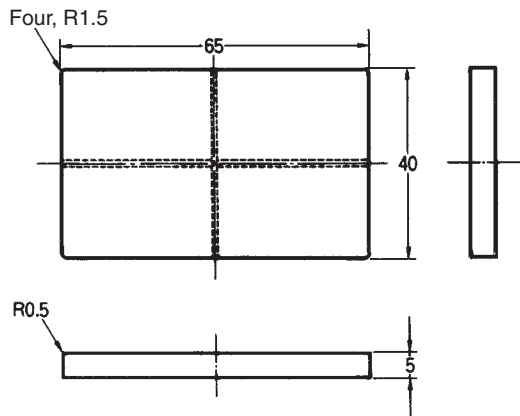
Case material	ABS resin
Fill resin	Epoxy resin

V600-D2KR16 (Battery Replacement Models)

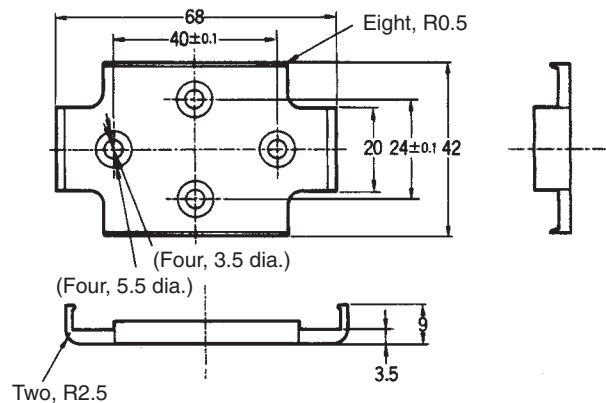
Item	V600-D2KR16
Memory capacity	2K bytes
Memory type	SRAM (static random access memory)
Battery service life (See note 1.)	2 years (replaceable battery)
Number of data read/write conversions	No limit (unrelated to battery service life)
Error detection	16-bit CRC error detection is used in both directions of transmission.
Operating temperature	Data retention: -15°C to 70°C; read/write: 0°C to 50°C
Storage temperature	-15°C to 70°C
Operating humidity	35% to 85% RH
Degree of protection (See note 2.)	IEC60529 IP50 standards
Vibration resistance	10 to 150 Hz, 1.5-mm double amplitude; acceleration: 100 m/s ² (about 10 G); for 30 min. each in X, Y, Z directions.
Shock resistance	300 m/s ² (about 30 G) three times each in X, Y, Z directions, total 18 times
Weight (approximate)	15 g

- Note**
1. This is the battery service life when the battery is used in an environment with an ambient temperature of below 25°C. For the relationship between temperature and battery service life, refer to 2-3 *Data Carrier Battery Service Life*.
For the commercially available replacement battery (CR2016), refer to Appendix A.
 2. When the accessory battery replacement cover seal is in place.

V600-D2KR16



Special-purpose Holder (V600-A81)



Case material	ABS resin
---------------	-----------

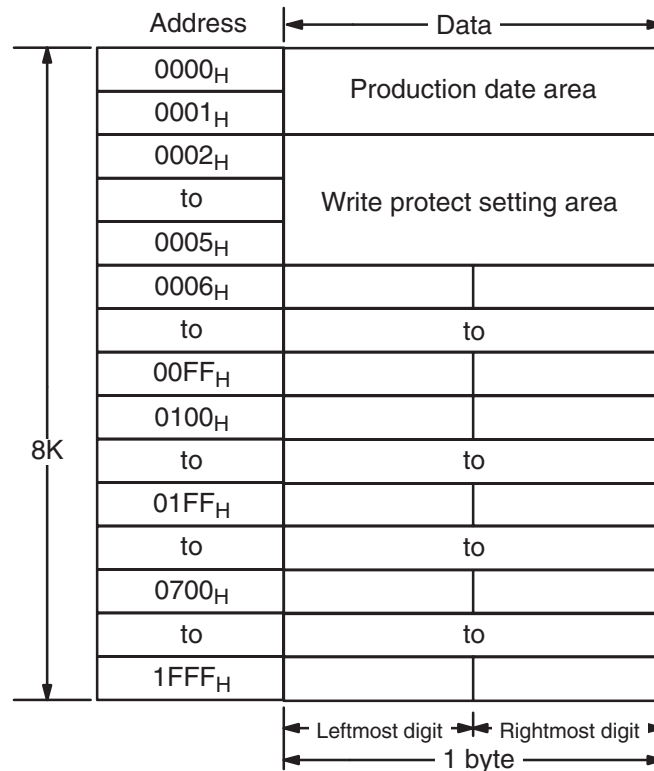
WARNING

The Data Carrier has a built-in lithium battery. Serious injury may occasionally occur due to ignition or explosion. Never short-circuit the positive and negative terminals of a battery or charge, disassemble, apply deforming pressure, or expose the battery to fire.



2-2-2 Memory Map

The Data Carrier (DC) has a memory area of up to 8K bytes. Each address of the memory area specifies one byte. A single byte of data can be written to one address.



Production Date Area (Written by Maker)

Address	Bit							
	7	6	5	4	3	2	1	0
0000 _H	Month (10s digit)				Month (1s digit)			
0001 _H	Year (10s digit)				Year (1s digit)			

- Note**
1. Address 0000 contains the month of production (March→“03,” October→“10”).
 2. Address 0001 contains the lower two digits of the year (1997→“97”).
 3. This area is read only.

SRAM (static random access memory) is used for the DC's memory (excluding the V600–D8KF04).

There is no limit to the number of times that the memory can be accessed for reading or writing data.

The memory capacity is 8 KB, and the available addresses are 0000_H to 1FFF_H.

The memory capacity stored in the Data Carrier (excluding the V600–D8KF04) is maintained using the built-in lithium battery.

2-2-3 Write Protect Function

The write protect function protects important data stored in the memory of the Data Carrier, such as product number and model, from being overwritten inadvertently. With this function, the data in a specified memory area can be protected. It is recommended that important data be write-protected as follows:

Setting the Write Protect Function

The write protect function is set in the four bytes of addresses 0002_H through 0005_H of the Data Carrier's memory. The status of the leftmost bit of address 0002_H determines whether or not the write protect function is in effect.

When Executing the Write Protect Function

Address	Bit							
	7	6	5	4	3	2	1	0
0002 _H	YES/ NO		Leftmost two digits of beginning address					
0003 _H	Rightmost two digits of beginning address							
0004 _H	Leftmost two digits of ending address							
0005 _H	Rightmost two digits of ending address							

The region specified by the beginning and ending addresses will be protected when the write protect control bit (leftmost bit of address 0002_H) is ON, as shown in the following table.

Leftmost bit of 0002 _H	Write Protect Function
ON	Data is write-protected.
OFF	Data is not write-protected.

Area that can be set:

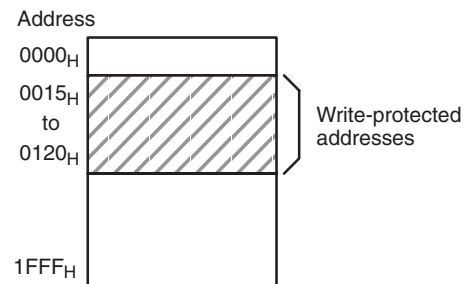
Beginning address: 0006_H to 1FFF_H

Ending address: 0006_H to 1FFF_H

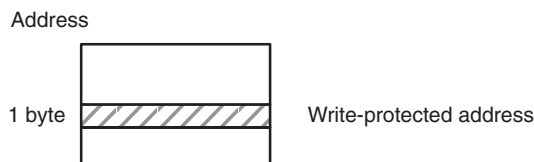
Examples

- 1, 2, 3... 1. The following settings would write-protect addresses 0015_H through 0120_H (i.e., the beginning address to the ending addresses):

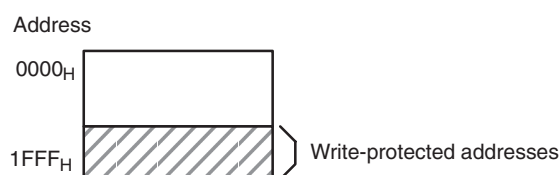
Address	Bit							
	7	6	5	4	3	2	1	0
0002 _H	1	0	0	0	0	0	0	0
	8				0			
0003 _H	0	0	0	1	0	1	0	1
	1				5			
0004 _H	0	0	0	0	0	0	0	1
	0				1			
0005 _H	0	0	1	0	0	0	0	0
	2				0			



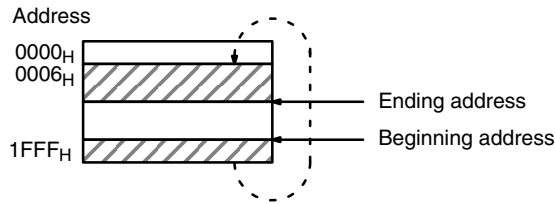
2. To write-protect only 1 byte, set the same address as the start and ending addresses (beginning address = ending address).



3. If the ending address exceeds the last address of the Data Carrier memory (ending address > 1FFF_H), the addresses up to 1FFF_H will be write-protected:



- If the beginning address is greater than the ending address (beginning address > ending address), the write-protected area will wrap through 0006_H, so that addresses from 0006_H through the ending address, and from the beginning address through 1FFF_H will be write-protected.



Canceling Write Protection

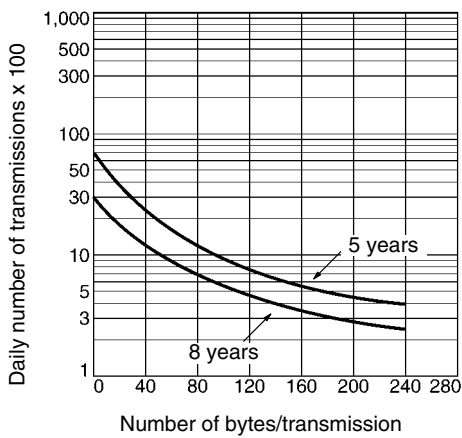
To cancel write protection, turn OFF the leftmost bit of address 0002_H. The write protection will be cancelled, and the beginning and ending addresses that are set for 0002_H to 0005_H will be ignored.

2-3 Data Carrier Battery Service Life

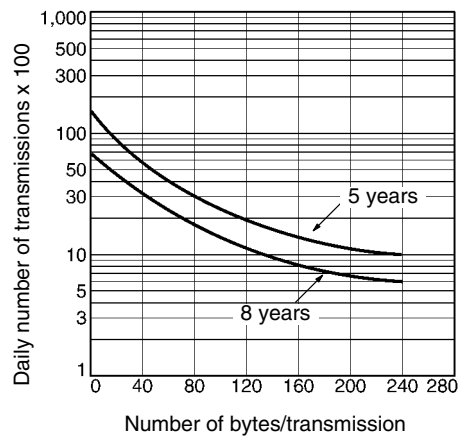
2-3-1 Battery Service Life Factors

The built-in battery model Data Carrier has a built-in lithium battery that provides power. The service life of the battery depends on the number and size of data transmissions. The graphs below show the relationship between daily number and size of transmissions and battery service life. (The illustrations shown here are representative examples.)

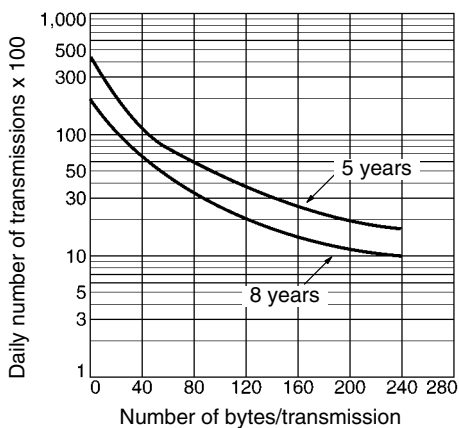
V600-D8KR12D



V600-D8KR13



V600-D8KR04



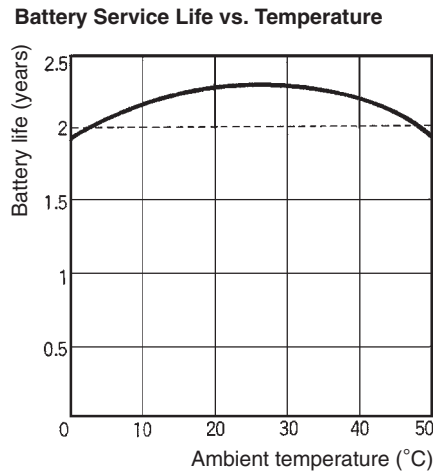
The preceding graphs show the lowest possible lifetimes for DCs in the temperature range -10°C to 55°C (14°F to 131°F). Normally, batteries will last longer at lower ambient temperatures.

With a V600-D8KR04 DC at 55°C (131°F), for example, 200 bytes of data can be accessed 3,000 times a day for 8 years or 6,500 times a day for 5 years.

With a V600-D8KR12D DC at 55°C (131°F), 40 bytes of data can be accessed 2,000 times a day for 8 years or 4,500 times a day for 5 years.

V600-D2KR16

The battery used for the V600-D2KR16 has a service life of 2 years at an ambient temperature of 25°C , regardless of the number of access times or R/W bytes.



The above graph shows the relationship between the service life of a built-in battery and ambient temperature (after the insulation sheet is removed). The table below shows the life expectancy of a battery that is stored separately (without being installed in the DC).

Temperature	Battery consumption rate (%) per year
20	1
30	2
40	4
50	8
60	16
70	32

If the DC is kept at a temperature of 70°C without removing the insulation sheet, the battery will last for 1.36 years ($2 \text{ years} \times (1 - 0.32)$). Furthermore, if the DC is kept for one year at a temperature of 70°C without removing the insulation sheet, the battery will last for an additional period of approximately 1.4 years if used at an ambient temperature of 25°C . The life of the battery will be shorter if used at an ambient temperature of 0° or 50°C .

- Note**
1. The data in the V600-D2KR16 will be lost at the time of battery replacement. Be sure to make a backup of the data before replacing the battery.
 2. After replacing the battery, be sure to affix the battery cover seal. IP50 is not guaranteed if the battery cover seal is not affixed.

2-3-2 Battery Service Life Expectancy Check

Checking Whether the Battery is Low

Models With Built-in Battery (Except V600-D2KR16)

- 1, 2, 3...
- Data Carrier battery checks are not performed automatically, only during times of special access.
When a battery check is performed, a small current is passed through the DC's internal circuitry. Too much power would be consumed if a battery check was performed automatically every time DC memory was accessed. Incorporate a routine once-a-day check when creating the system program.
 - Access for checking whether the battery is low is only enabled when the two bytes of data from address 0000_H to 0001_H are read.
Use one of the following commands to check the battery status. (The *CR* at the end of each command means carriage return.)
 - Read command: RD H/A 1 0000 02**CR*
 - Auto Read command: AR H/A 1 0000 02**CR*
 - Polling Auto Read command: PR H/A 1 0000 02**CR*
 - If the end code of the response is 00, the battery is operating normally. If the end code is 7B, the battery is low. The following are responses to Read and Auto Read commands sent to a DC with a good battery:

RD 0 0	0 9 9 7 *	
AR 0 0	0 9 9 7 *	
└─┘	└─┘	
Normal end code	Read data	Production date: Sept., 1997

The following are responses to Read and Auto Read commands sent to a DC with a low battery:

RD 7 B	0 9 9 7 *	
AR 7 B	0 9 9 7 *	
└─┘	└─┘	
Low battery end code	Read data	Production date: Sept., 1997

Note With the V600-D2KR16 (replaceable-battery model), read/write commands are executed without regard to addresses.

Service Life of Data Carriers After the Battery-low Code is Generated

Under ordinary operating conditions the DC can be used for about one month after a low battery end code is received. However, it is recommended that the DC be replaced with a new one as soon as possible.

The V600-D2KR16 (replaceable-battery model) can be used for approximately two weeks under normal operating conditions, but it is recommended that the battery be replaced with a new one as soon as possible.

Precautions for Correct Use The Built-in Battery DC (except for the V600-D2KR16) contains a thionyl chloride-type lithium battery. One characteristic of this type of battery is its tendency to develop a higher internal resistance when it is not used. If the battery isn't used for several months, the internal resistance can increase enough to cause a low battery response, even if the battery is good. Consequently, after several months of disuse it is recommended to transmit data to/from the DC for about 10 minutes to "warm up" the battery and decrease its internal resistance. This operation will have almost no effect on the useful life of the battery.

SECTION 3

Communications Specifications

This section provides specifications for communications.

3-1	Transmission Range	18
3-1-1	Transmission Range Specifications (Certified Performance)	18
3-1-2	Transmission Areas	20
3-2	Transmission Time	21
3-3	Data Carrier Speed	24

3-1 Transmission Range

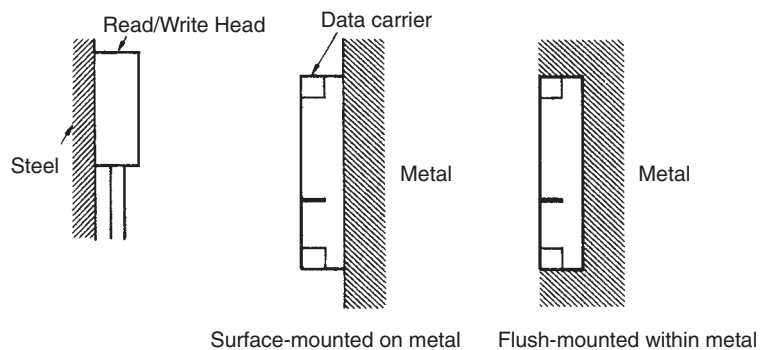
3-1-1 Transmission Range Specifications (Certified Performance)

R/W Head	Setting conditions		Transmission range (unit: mm, axis slip: ± 10 mm)			
			V600-D8KR12D	V600-D8KR13	V600-D8KR04	V600-D2KR16
V600-H07	Stationary	Flush-mounted within metal	10 to 50	10 to 30	See page 32.	---
		Surface-mounted on metal	10 to 60	10 to 35	10 to 100	---
	Moving	Flush-mounted within metal	25 to 50	20 to 30	See page 32.	---
		Surface-mounted on metal	25 to 60	20 to 35	50 to 100	---
V600-H11	Stationary	Flush-mounted within metal	5 to 40	10 to 30	See page 32.	2 to 15
		Surface-mounted on metal	5 to 45	10 to 30	10 to 65	2 to 15
	Moving	Flush-mounted within metal	25 to 40	15 to 30	See page 32.	6 to 15
		Surface-mounted on metal	25 to 45	15 to 30	30 to 65	10 to 15

R/W Head	Setting conditions		Transmission range (unit: mm, axis slip: ± 10 mm)
			V600-D8KF04
V600-H07	Stationary	Flush-mounted within metal and surface-mounted on metal	See page 32.
		No surface-mounted on metal	10 to 50
	Moving	Flush-mounted within metal and surface-mounted on metal	See page 32.
		No surface-mounted on metal	25 to 50
V600-H11	Stationary	Flush-mounted within metal and surface-mounted on metal	See page 32.
		No surface-mounted on metal	10 to 32
	Moving	Flush-mounted within metal and surface-mounted on metal	See page 32.
		No surface-mounted on metal	15 to 32

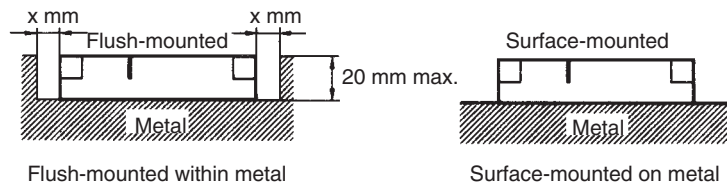
- Note**
1. These specifications are the certified performance when taking into consideration variations in ambient temperatures and products.
 2. The read range and the write range are the same.
 3. The Data Carrier and Read/Write Head installation conditions are as follows:

1) V600-D8KR12D, V600-D8KR13 Data Carriers

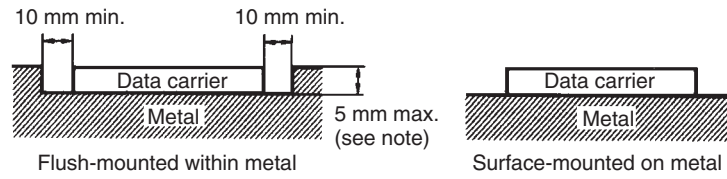


2) V600-D8KR04/V600-D8KF04 Data Carriers

For flush-mounting within metal, the read/write distance changes depending on distance x from the metal.



3) V600-D2KR16 Data Carriers

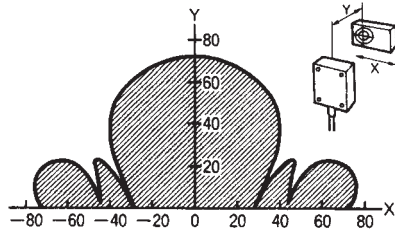


For details regarding R/W Head and DC installation, refer to *Section 4 Installation*.

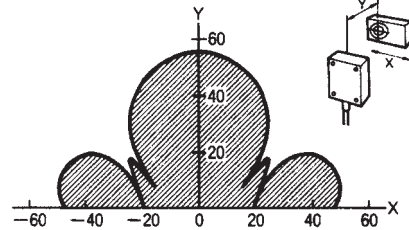
3-1-2 Transmission Areas

The following diagrams show representative examples of the communications areas. All measurement units are shown in mm.

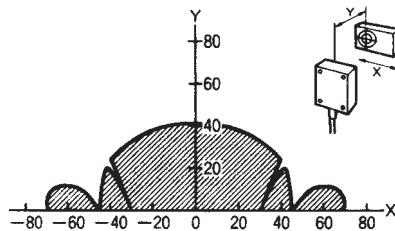
V600-D8KR12D and V600-H07



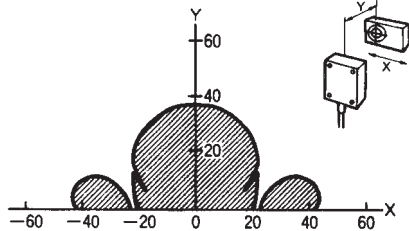
V600-D8KR12D and V600-H11



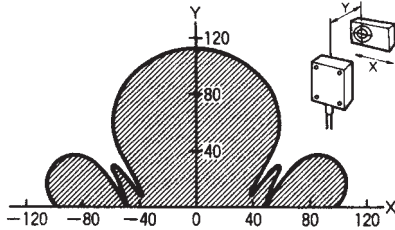
V600-D8KR13 and V600-H07



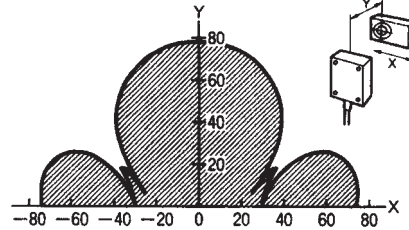
V600-D8KR13 and V600-H11



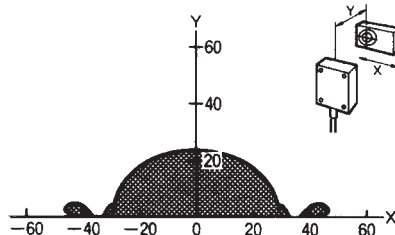
V600-D8KR04 and V600-H07



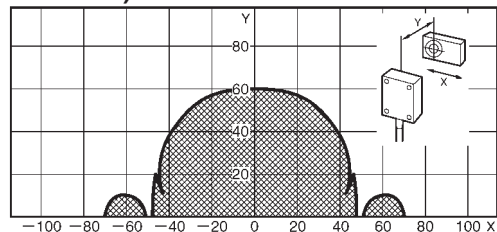
V600-D8KR04 and V600-H11



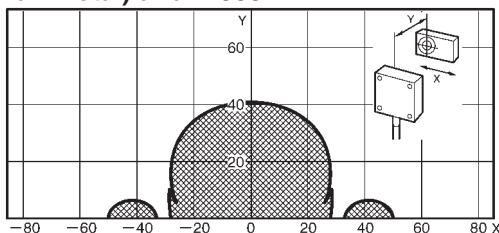
V600-D2KR16 and V600-H11



V600-D8KF04 (no surface-mounted on metal) and V 600-H07



V600-D8KF04 (no surface-mounted on metal) and V 600-H11



Note The mounting method is surface-mounted on metal in all cases.

3-2 Transmission Time

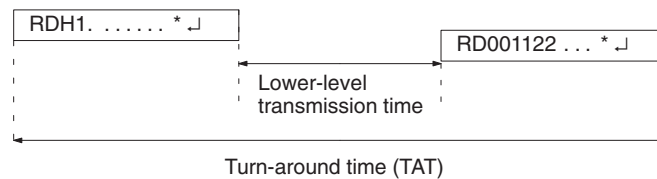
Transmission Time

Transmission times are the same for all models of R/W Heads and DCs covered in this manual.

- The term “transmission time” is used to indicate both the turn-around time (TAT) and the lower level transmission time between the R/W Head and DC.
- The TAT is the total time required from the transmission of a command from a host device (such as a host computer) until the reception of a response at the host device.
- The lower-level transmission time is the time required for transmission of data between the R/W Head and DC.

Refer to these times for calculating the transfer speeds for auto commands.

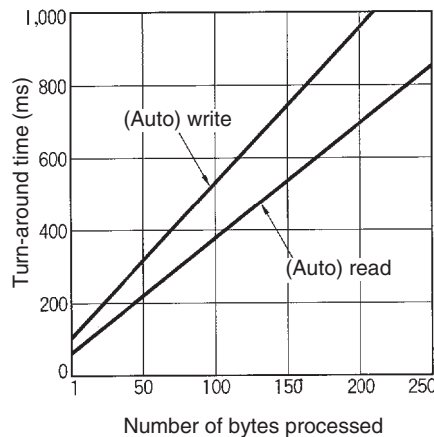
The following diagram shows the TAT and lower-level transmission time for the READ command.



Built-in Battery Models

TAT (Reference)

The following diagrams show the TAT and lower-level transmission time for V600-CA5D02 and V600-CD1D-V3 Serial Interface ID Controllers. (The TAT for Parallel Interface ID Controllers and ID Sensor Units varies with the host’s software.)



Calculation Method (Reference)

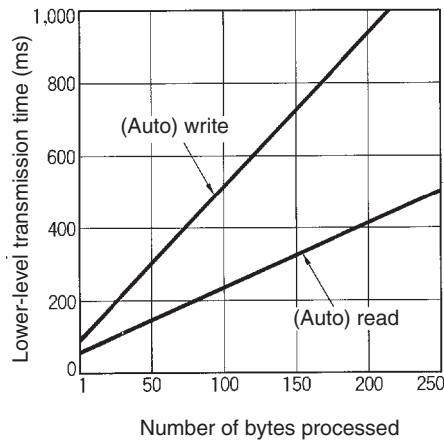
(Unit: ms)

Read/Write	TAT
Read	$T = 2.9N + 69.8$
Write	$T = 5.3N + 105.6$

N: Number of bytes processed

- Note**
1. The value given for the TAT data assumes that the communications settings for the V600-CA5D02 ID Controller are as follows:
Baud rate: 9600 bps; data length: 8 bits; stop bits: 1; parity: odd.
 2. The number of bytes is the number for ASCII code. (For details, refer to the *RFID System Operation Manual (Z83)*.)

Transmission Time With the Data Carrier (Reference)



Calculation Method (Reference) (Unit: ms)

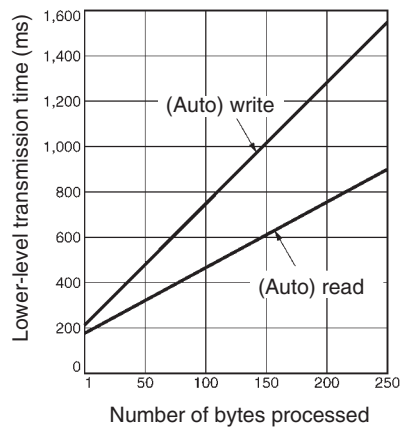
Read/Write	Lower-level transmission time
Read	$T = 1.8N + 48.4$
Write	$T = 4.2N + 86.5$

N: Number of bytes processed

Battery-less Models

TAT (Reference)

The following diagrams show the TAT and lower-level transmission time for the V600-CA1A-V2, V600-CA2A-V2, and V600-CD1D-V3 Serial Interface ID Controllers.



Calculation Method (Reference) (Unit: ms)

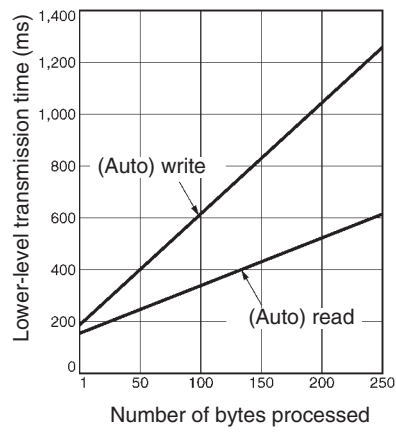
Read/Write	Lower-level transmission time
Read	$T = 2.9N + 189.8$
Write	$T = 5.3N + 225.6$

N: Number of bytes processed

- Note**
- The value given for the TAT data assumes that the settings for communications with the host device for the V600-CA1A-V2 ID Controller are as follows:
Baud rate: 9600 bps; data length: 8 bits; stop bits: 1; parity: odd. Also assumed is that there are no spaces between characters and transmission is continuous.
 - The number of bytes is the number for ASCII code. (For details, refer to the *ID Controller Operation Manual*).

The TAT for Parallel Interface ID Controllers and ID Sensor Units varies with the host's software.

Transmission Time With the Data Carrier (Reference)



Calculation Method (Reference)

(Unit: ms)

Read/Write	Lower-level transmission time
Read	$T = 1.8N + 168.4$
Write	$T = 4.2N + 206.5$

N: Number of bytes processed

3-3 Data Carrier Speed

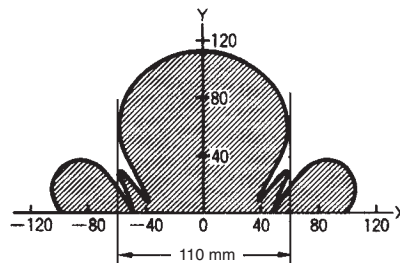
The number of bytes that can be processed using the Auto Read and Auto Write commands depends on the speed of the DC. The relationship between the number of bytes and DC speed in m/minute can be determined from the following equation.

$$\text{Max. DC Speed} = \frac{\text{Distance travelled in the transmission range (m)}}{\text{Lower-level transmission time (min)}}$$

- The “distance travelled in the transmission range (m)” is the maximum width of the transmission range (in the X direction). Refer to the diagrams in *3-1 Transmission Range*.
- The “lower-level transmission time (min)” is the time required for transmission between the DC and the R/W Head. For details regarding this calculation, refer to *3-2 Transmission Time*.

Calculation Example

In this example diagram, the V600-D8KR04 and V600-H07 are combined and four bytes are read.



This diagram shows the following:

Distance travelled in transmission range, Y (transmission distance) = 110 mm

Lower-level transmission time, T = $1.8 \times 4 + 48.4 = 55.6$ ms.

Accordingly, the DC speed in this case will be as follows:

$$\begin{aligned} \text{Max. DC Speed} &= \frac{\text{Distance travelled in the transmission range (m)}}{\text{Lower-level transmission time (min)}} = \frac{110 \text{ (mm)}}{55.6 \text{ (ms)}} \\ &= 118.7 \text{ m/min} \end{aligned}$$

- Note**
1. The distance travelled in the transmission time will vary depending on the read/write distance and the shaft slippage. Refer to the diagrams in *3-1 Transmission Range*.
 2. The DC speed is the standard value. Before using the equipment, run a test to determine the speed under the actual operating conditions.
 3. The DC speed data above do not take into account possible transmission errors in host or lower-level communications.
 4. When the V600-CA8A/CA9A is used, the speed will vary depending on the software at the host device.

SECTION 4

Installation

This section describes the recommended installation methods for the R/W Heads and Data Carriers (DCs), and provides details on the battery's service life expectancy and methods to check the battery's condition.

4-1	R/W Head Installation	26
4-1-1	Installation Method	26
4-1-2	Effect of Surrounding Metals	28
4-1-3	Interference between R/W Heads	29
4-1-4	Interference with Proximity Sensors	30
4-2	Data Carrier Installation	31

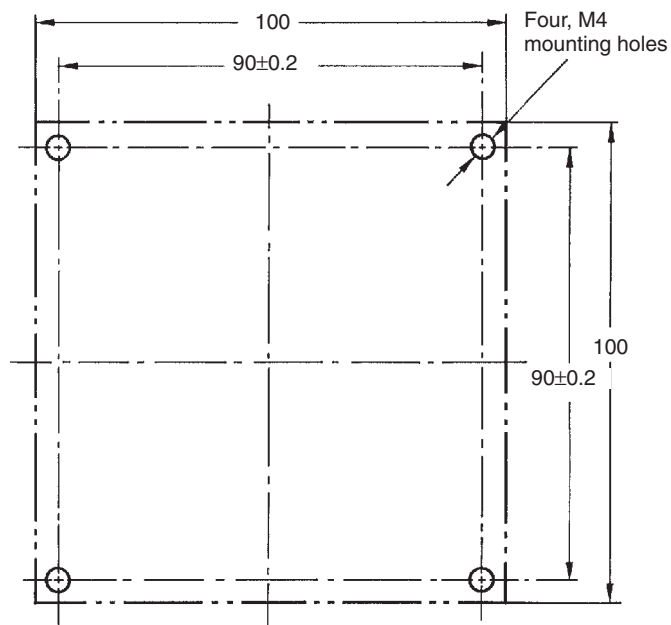
4-1 R/W Head Installation

4-1-1 Installation Method

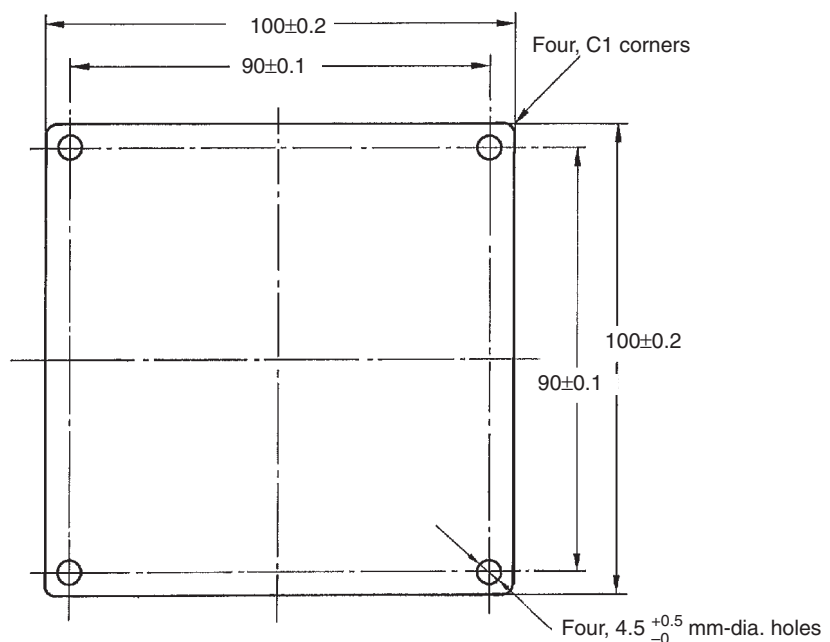
V600-H07 R/W Head

Use M4 screws and spring washers (in four places) for R/W Head installation. Tighten the screws to a torque of 0.7 to 1.2 N•m (approximately 7 to 12 kgf•cm).

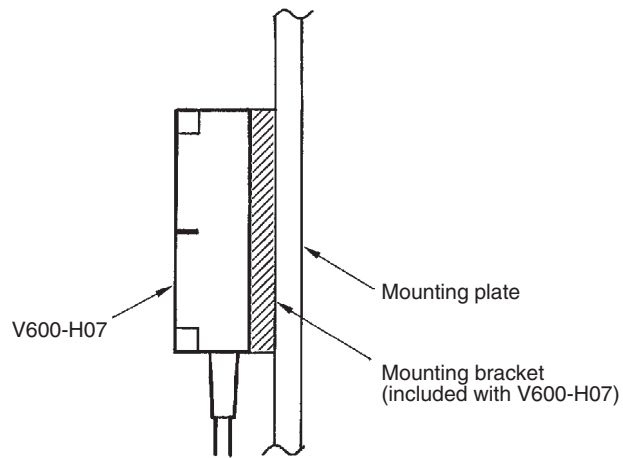
There are no restrictions on the mounting direction or the direction of access to the DC, but if the R/W Head is to be installed near a device such as a conveyance belt, make sure there is no danger of the R/W Head being accidentally struck.



Mounting Bracket Dimensions (V600-H07 Only)



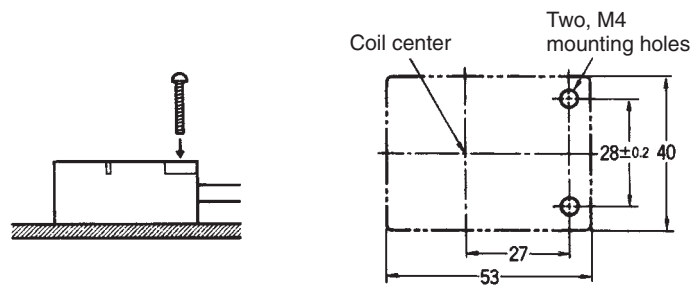
Note A mounting bracket is provided with the V600-H07. It is not necessary to use this bracket if a metal mounting plate larger than the 100×100 mm “footprint” of the R/W Head is used for installation.



Note If the mounting surface of the R/W Head is metal, be sure to ground it with ground resistance of 100 Ω or less.

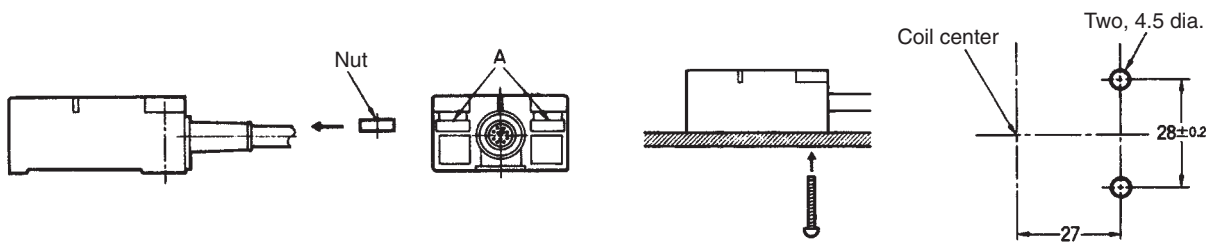
V600-H11 R/W Head

(1) Front Panel Mounting



2) Rear Panel Mounting

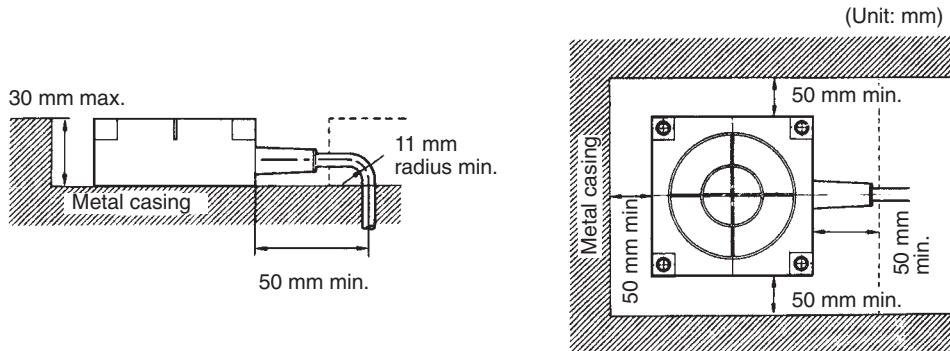
Insert the nuts that are included with the R/W Head into the locations marked “A.”



4-1-2 Effect of Surrounding Metals

V600-H07 R/W Head

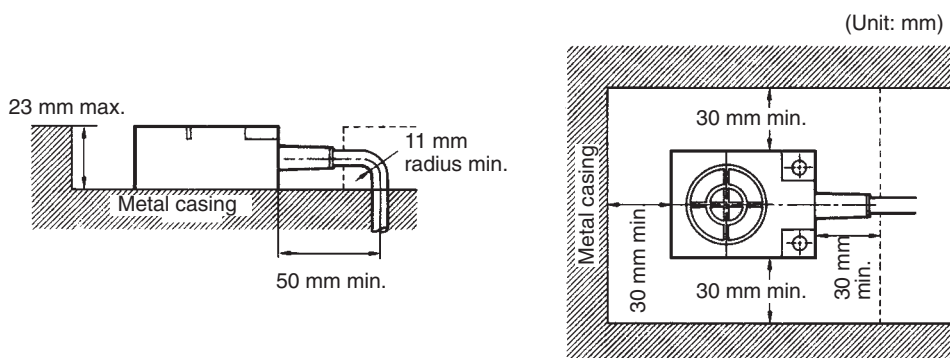
In addition to surface mounting, it is also possible to flush-mount the V600-H07 within a metal casing to protect it from being struck by other objects. To prevent malfunctioning, allow at least 50 mm between the sides of the R/W Head and the metal casing, and do not mount the R/W Head below the metal surface. If the gap between sides of the R/W Head and the metal casing is less than 50 mm, the read/write transmission range will be greatly diminished.



- Note**
1. Do not bend the R/W Head's cable into a curve tighter than 11 mm in radius.
 2. The read/write transmission range will be reduced significantly if the R/W Head is installed closer than 50 mm to metal surfaces.

V600-H11 R/W Head

In addition to surface mounting, it is also possible to flush-mount the V600-H11 within a metal casing to protect it from being struck by other objects. To prevent malfunctioning, allow at least 30 mm between the sides of the R/W Head and the metal casing, and do not mount the R/W Head below the metal surface. If the gap between sides of the R/W Head and the metal casing is less than 30 mm, the read/write transmission range will be greatly diminished.



- Note**
1. Do not bend the R/W Head's cable in a curve tighter than 11 mm in radius.
 2. The read/write transmission range will be reduced significantly if the R/W Head is installed closer than 30 mm to metal surfaces.

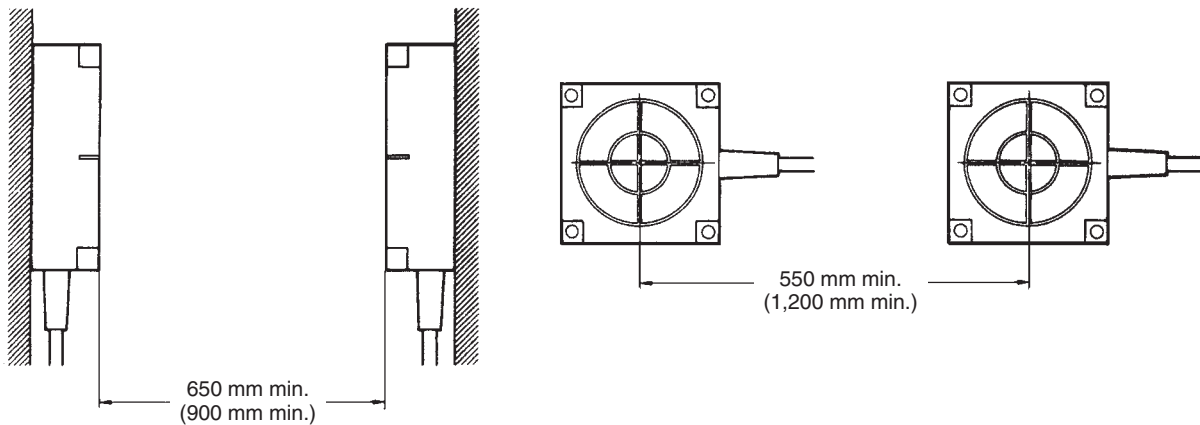
4-1-3 Interference between R/W Heads

When using two or more R/W Heads, be sure to allow enough space between the R/W Heads to avoid errors caused by mutual interference. The diagrams below show the minimum spacing required.

V600-H07 R/W Head

When facing each other, V600-H07 R/W Heads should be installed at least 650 mm apart if RD/WT commands are used, and 900 mm apart if auto commands are used.

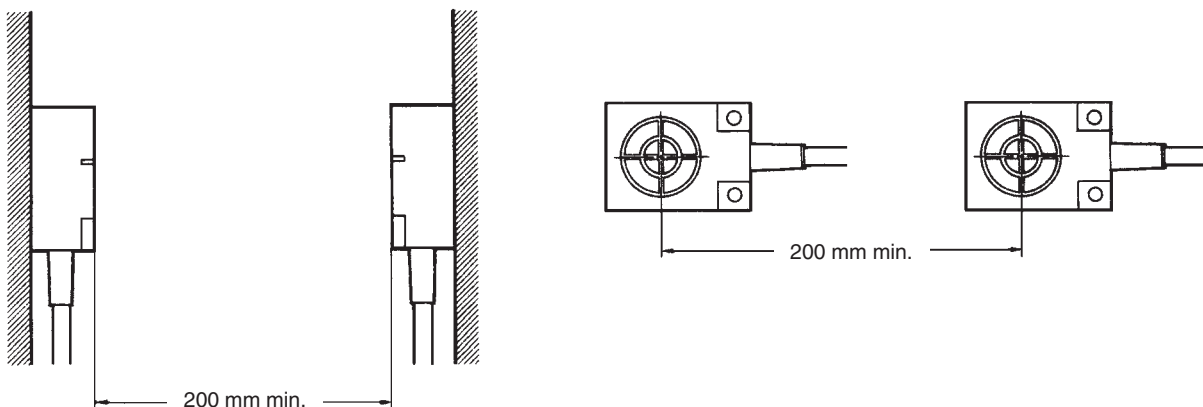
When facing the same direction, V600-H07 R/W Heads should be installed at least 550 mm apart (center to center) if RD/WT commands are used, and 1,200 mm apart (center to center) if auto commands are used.



V600-H11 R/W Head

When facing each other, V600-H07 R/W Heads should be installed at least 200 mm apart regardless of whether RD/WT commands or auto commands are used.

When facing the same direction, V600-H07 R/W Heads should be installed at least 200 mm apart regardless of whether RD/WT commands or auto commands are used.



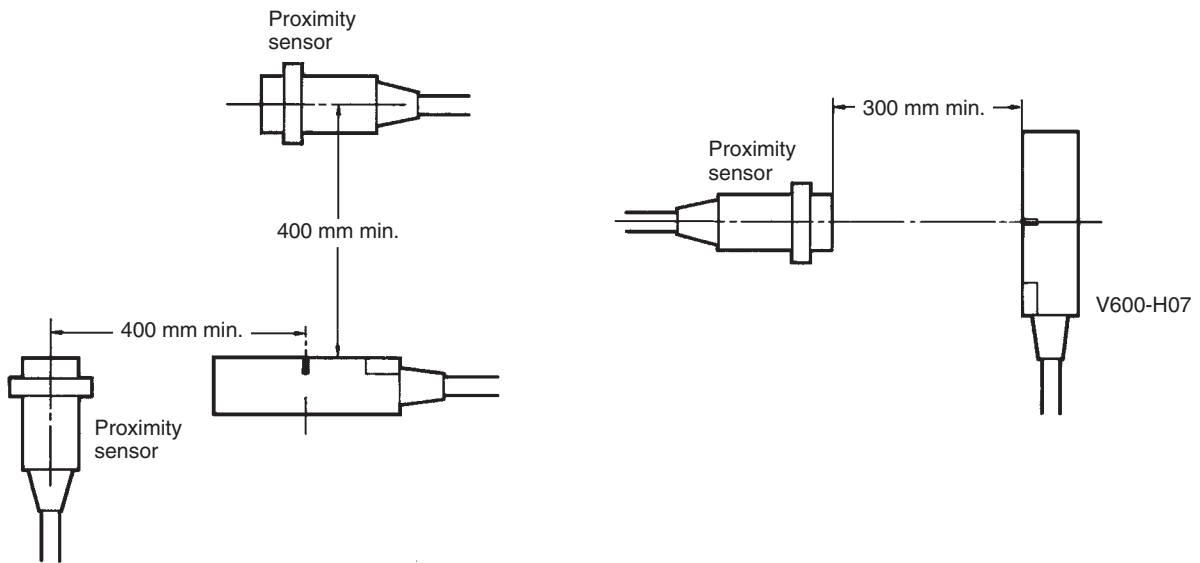
Note For applications in which no two R/W Heads transmit or receive data at the same time (i.e., in which the R/W Heads read and write independently), there is no risk of mutual interference and the R/W Heads can be installed in proximity. Transmission and reception in this case refer to the R/W Heads oscillating after receiving commands.

4-1-4 Interference with Proximity Sensors

V600-series R/W Heads use electromagnetic linking (frequency: 530 kHz), so, if they are installed near sensors (such as proximity sensors) with an oscillation frequency of 400 to 600 kHz, it may cause the sensors to malfunction. Before installing R/W Heads, and when selecting sensors, be sure to conduct tests to make sure that there will be no interference.

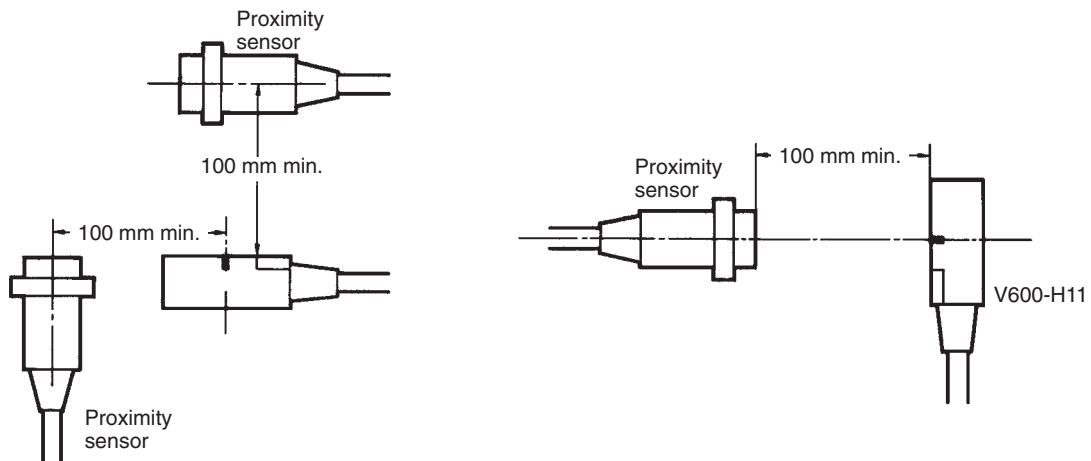
V600-H07 R/W Head

As shown in the following diagrams, a V600-H07 R/W Head should be at least 400 mm from a proximity sensor when the two are facing the same direction or perpendicular. When the two are facing each other, they should be at least 300 mm apart.



V600-H11 R/W Head

As shown in the following diagrams, a V600-H11 R/W Head should be at least 100 mm from a proximity sensor regardless of whether the two are parallel, perpendicular, or facing each other.



4-2 Data Carrier Installation

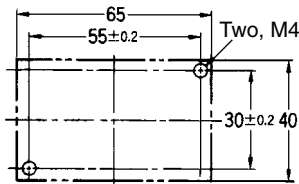
V600-D8KR12D/KR13/KR04/KF04 Data Carriers

Installation Method

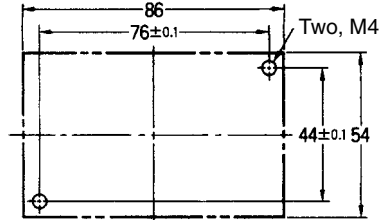
Use M4 screws and spring washers for DC installation. Tighten the screws to a torque of 0.7 to 1.2 N•m (approximately 7 to 12 kgf•cm).

There are no restrictions on the mounting direction or the direction with respect to the R/W Heads.

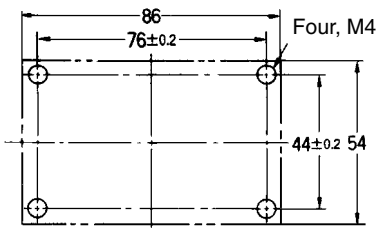
V600-D8KR12D



V600-D8KR13

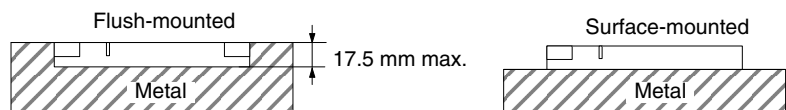


V600-D8KR04/V600-D8KF04

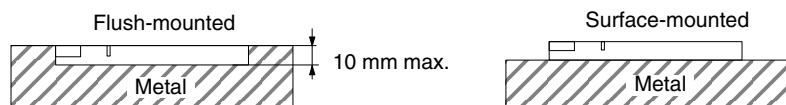


Mounting in Metal Casing

V600-D8KR12D

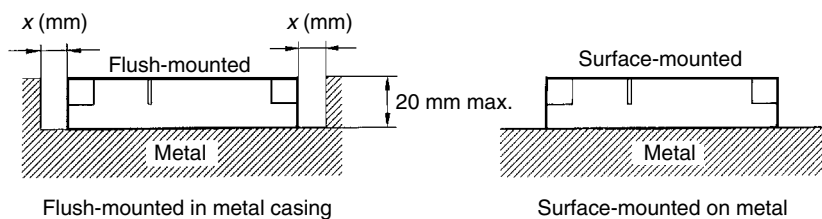


V600-D8KR13



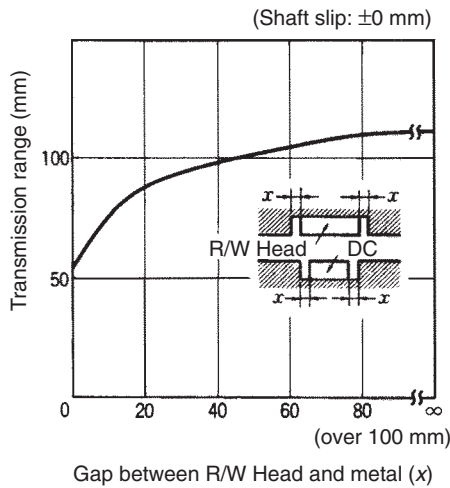
The V600-D8KR12D and V600-D8KR13 DCs can be either surface-mounted or flush-mounted. When flush-mounted in metal, the top of the DC must not be lower than the surface of the metal casing.

V600-D8KR04

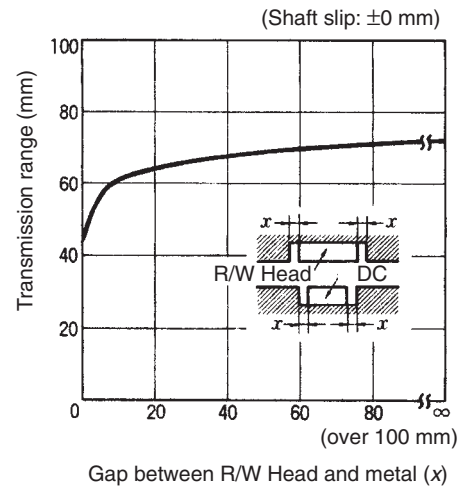


When the V600-D8KR04 is flush-mounted in a metal casing, the transmission range varies according to the width of the gap (x) between the metal and the DC, as shown in the following graphs.

When Combined With V600-H07

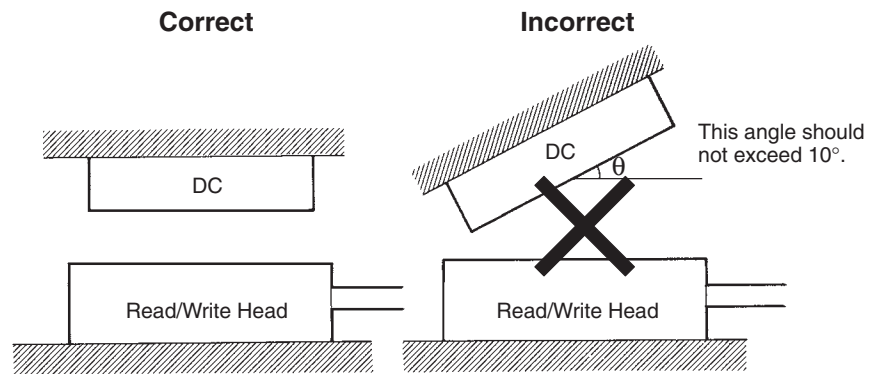


When Combined With V600-H11

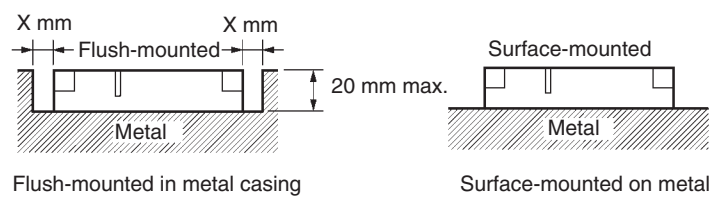


Effect of Misalignment

The transmission range will be reduced if the R/W Head does not face the DC directly when data is transmitted. Try to keep any misalignment below 10° , as shown in the following diagram.



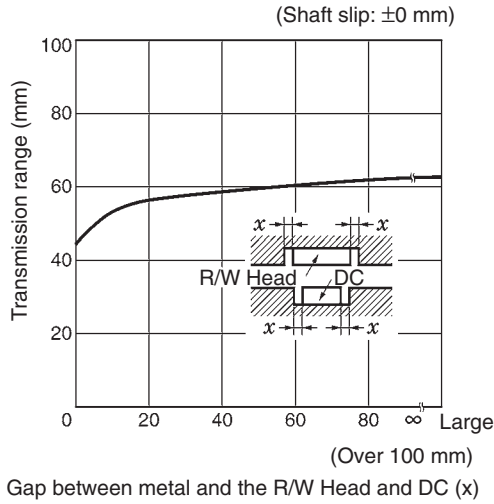
V600-D8KF04



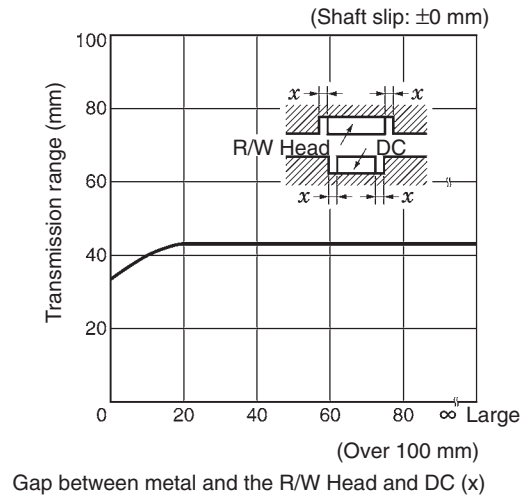
(The transmission range varies according to the width of the gap (x).)

When the V600-D8KF04 is flush-mounted in a metal casing, the transmission range varies according to the width of the gap (x) between the metal and the R/W Head and DC, as shown in the following graphs.

When combined with the V600-H07

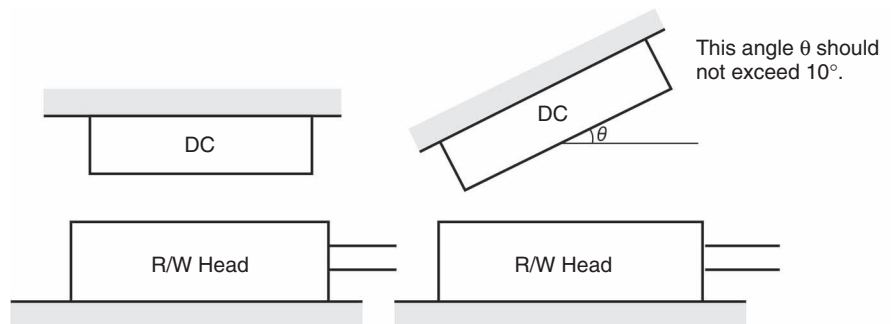


When combined with the V600-H11



Effect of Misalignment

Try to keep any misalignment θ between the R/W Head and DC below 10° , as shown in the following diagram.

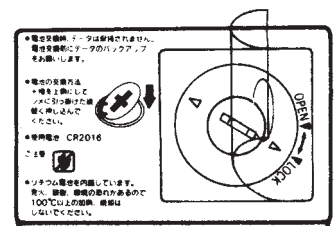
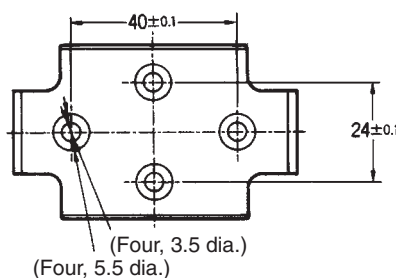


V600-D2KR16 Data Carriers

Installation Method

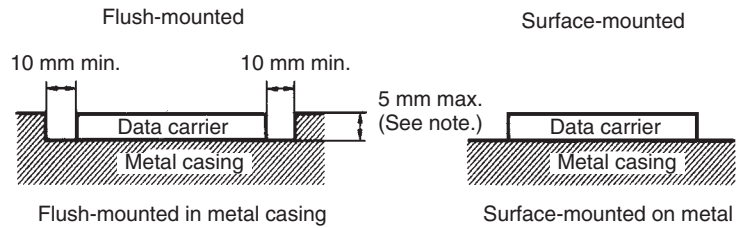
Use a special-purpose holder (purchased separately) for installation. First secure the holder with flat countersunk-head screws in at least two places, and tighten the screws to a torque of 0.3 to 0.5 N•m (approximately 3 to 5 kgf•cm). Then insert the DC into this holder by hand.

Be sure to attach the battery cover seal to the back of the DC. If this seal is not affixed, the IP protective structure standards will not be satisfied.



Mounting in a Metal Casing

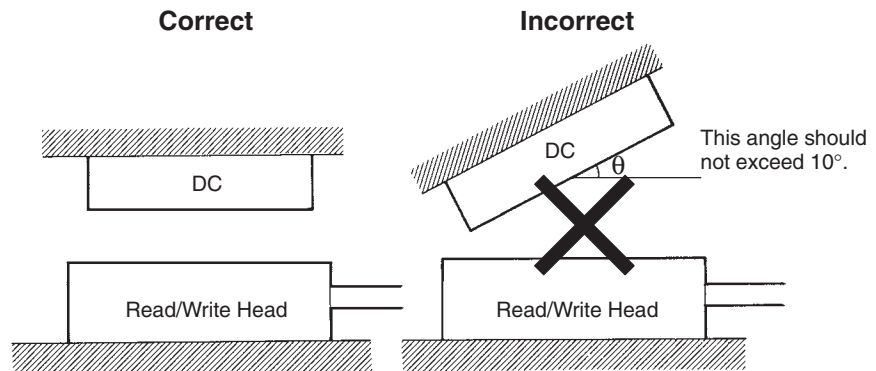
The V600-D2KR16 can be either surface-mounted or flush-mounted in a metal casing. If mounted as shown in the following diagrams, there will be no effect on the transmission range.



Note When the special-purpose holder is used, this becomes 9 mm max.

Effect of Misalignment

The transmission range will be reduced if the R/W Head does not face the DC directly when data is transmitted. Try to keep any misalignment below 10° , as shown in the following diagram.



SECTION 5

Chemical Resistance

This section shows the chemicals that affect R/W Heads and Data Carriers.

R/W Heads and Data Carriers are constructed using both ABS resin and epoxy resin. Referring to the following charts, be sure to use only those chemicals that have no effect on the ABS or epoxy resins and avoid using those chemicals that do have an effect.

Applications requiring explosion-proof capability are not possible.

Chemicals that Cause Warping, Cracking, Etc.

Affecting ABS	Affecting Epoxy
Trichlene, acetone, xylene, toluene, gasoline, creosol, methylene chloride, phenol, cyclohexane, aqua, regia, chromic acid, sulfuric acid (90% RT), methyl ethyl ketone, aniline, nitrobenzene, monochlorobenzene, pyridine, nitric acid (60% RT), formic acid (80% RT)	Aqua regia, chromic acid, sulfuric acid (90% RT), nitric acid (60% RT), ammonia solution, acetone, methylene chloride, phenol, trichlene

Chemicals that May Cause Discoloring, Swelling, Etc.



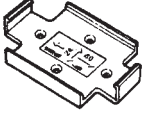



Affecting ABS	Affecting Epoxy
Hydrochloric acid, alcohol, Freon, sodium hydroxide, hydrogen peroxide, benzine, sulfuric acid (10% RT), nitric acid (10% RT), phosphoric acid (85% RT), ammonia solution	Sulfuric acid (10% RT), nitric acid (10% RT), hydrochloric acid (30% RT), acetic acid (50% RT), calcium hydroxide, benzine, creosol, alcohol, cyclohexane, toluene, xylene, benzine, grease

Chemicals that Have No Effect

ABS	Epoxy
Ammonia, kerosine, mineral oil, developer, Yushiroken S50, Chemi-Cool Z, Velocity No. 3, Yushiroken EEE-30Y, petroleum, grease acetate, calcium hydroxide, phosphoric acid (30% RT), hydrochloric acid (10% RT), potassium hydroxide	Ammonia, hydrochloric acid (10% RT), potassium hydroxide, petroleum, gasoline, Yushiroken S50, Chemi-Cool Z, Velocity No. 3, Yushiroken EEE-30Y

Precautions for Correct Use The test results listed were obtained at room temperature (approximately 23°C). Some of the chemicals listed as having no effect may cause problems at higher or lower temperatures.

Appendix A Accessories (Sold Separately)

Item	Specification	Model	Remarks
Extension cable for R/W Heads 	3 m	V600-A45	The connectors are not waterproof.
	5 m	V600-A44	
	10 m	V600-A40	
	20 m	V600-A41	
	30 m	V600-A42	
Extension cable for R/W Heads 	3 m	V600-A56	The connectors are not waterproof.
	5 m	V600-A55	
	10 m	V600-A50	
	20 m	V600-A51	
	30 m	V600-A52	
Special-purpose holder 	For V600-D2KR16 only 	V600-A81	Secured with M3 flat countersunk-head screws (in at least two places).
Lithium battery (CR2016) 	For V600-D2KR16 only 	---	CR2016 commercially available, with battery cover tool.

Appendix B

Discontinued Models and Replacements

Discontinued Models

V600-H6
V600-D2KR01, V600-D8KR01
V600-D2KR02, V600-D8KR02
V600-D2KR03, V600-D8KR03

Replacement Models

V600-H12, V600-H11
V600-D8KR11
V600-D8KR12D
V600-D8KR13

OMRON appreciates your continued patronage. In October, 1994, it was announced that production of the 500-kHz-frequency wireless transmission models in the V600-series RFID System would be discontinued in March of 1996. The following information is an update on the models that will be discontinued and the models that will replace them.

Background

- In 1988, OMRON began development and production of the V600-series RFID System in response to customer requests, and provided a line of products in this series.
- Systems such as the V600-series RFID System which use electromagnetic linking are required to be in compliance with laws regulating radio wave transmissions. Within Japan there is no particular problem for ID makers as long as they can demonstrate that they satisfy the prescribed values in the radio wave regulations. And products used in the United States, for example, must receive certification from the Federal Communications Commission (FCC). Accordingly, OMRON received FCC certification for the V600 Series in 1989.
- Subsequently, however, the FCC rules were revised, and models using a frequency of 500 kHz for wireless transmission between read/write heads and data carriers could not be newly sold or delivered (including installation) in the United States as of June 23, 1994.

OMRON's Response

- In response to the above problem, OMRON changed the frequency for all new wireless-transmission products in the V600 Series from 500 kHz to 530 kHz, and in 1991 received formal certification from the FCC. Since then, all subsequent models in this series have also been developed for 530-kHz specifications.
- Taking into consideration the maintenance and support of existing 500-kHz models from June 23, 1994, onwards, the models that OMRON introduced in April, 1994, are completely interchangeable with the earlier models in all respects (such as shape, installation, etc.) except for transmission frequency.

Advantages for Customers

Standardizing all of the V600-series models to 530 kHz offers the following advantages to customers.

- There is no longer any need to distinguish between models exported to the United States, and other countries, and models marketed in Japan. This simplifies the processes of model selection and system design, and reduces the chances of accidentally ordering the wrong models.
- This change makes it easier to combine various read/write heads and data carriers, thereby expanding the options available when selecting models for system design. For example, it is now possible to use a single data carrier in combination with the optimum read/write head for each process in an assembly line.
- For OMRON as well, this change makes it easier to improve production schedules and quality control by integrating product lines.

Materials Provided Here

The following materials are provided in this appendix:

- Information regarding model changes
- Differences in specifications/performance between 500-kHz and 530-kHz models:
 - 530-kHz model specifications/performance
 - 500-kHz model specifications/performance
- Combining 500-kHz and 530-kHz models:

To some extent there are disadvantages such as a reduction in transmission range from combining 500-kHz and 530-kHz models. Considering the circumstances described above, please upgrade to the replacement models whenever convenient.

Model Changes

Discontinued Models

All 500-kHz models have been discontinued.

R/W head: V600-H06

Data carriers: V600-D2KR01, V600-D8KR01, V600-D2KR02, V600-D8KR02, V600-D2KR03, V600-D8KR03

From now on, please use 530-kHz models.

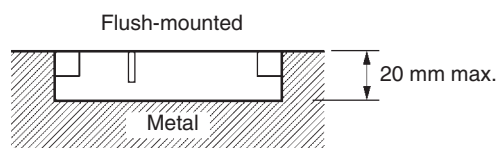
Replacement Models

The following table shows the models that are replacing each of the discontinued models.

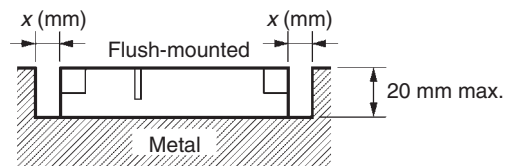
Discontinued model (500 kHz)	Replacement model (530 kHz)
V600-H06	V600-H11 or V600-H12 (See note 1.)
V600-D□KR01	V600-D8KR11 or V600-D8KR04 (See note 2.)
V600-D8KR02	V600-D8KR12D
V600-D8KR03	V600-D8KR13

- Note**
- The V600-H12 has the same specifications as the V600-H06 except for the transmission range. The V600-H11 is a compact, low-cost model.
 - The V600-D8KR11 can be flush-mounted in a metal casing. If the V600-DKR04 flush-mounted, the restriction illustrated below applies. (In the V600-DKR04 diagram, the transmission range changes according to distance x .)

V600-D8KR11

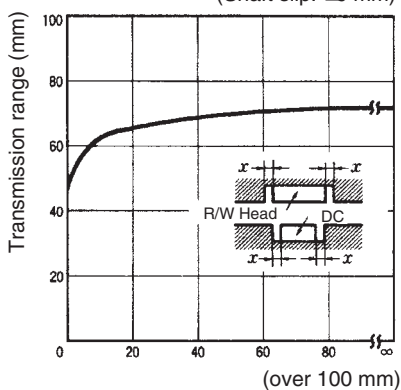


V600-DKR04



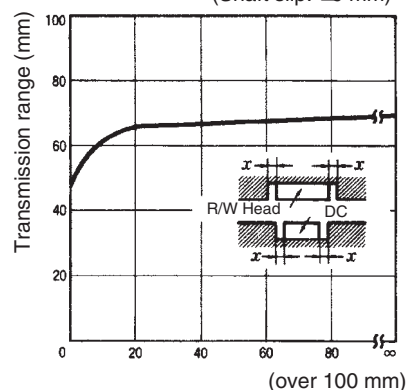
The following diagrams show the effect of the surrounding metal on the transmission range.

V600-H11/V600-D8KR04
Effect of Surrounding Metals
(Shaft slip: ± 0 mm)



Gap between R/W Head and metal (x)

V600-H12/V600-D8KR04
Effect of Surrounding Metals
(Shaft slip: ± 0 mm)

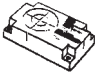






Gap between R/W Head and metal (x)

Specifications and Performance of 530-kHz Models

Data Carriers

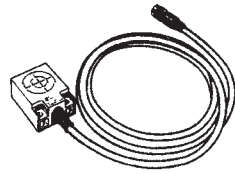
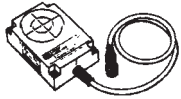
V600-D8KR11
 V600-D8KR12D
 V600-D8KR13
 V600-D8KR04
 V600-D8KF04

Item	Model				
	(Standard type) V600-D8KR11 	(Compact type) V600-D8KR12D 	(Thin type) V600-D8KR13 	(Mid-range type) V600-D8KR04 	(Battery-less type) V600-D8KF04 
Memory capacity	8K bytes				
Memory type	SRAM (volatile memory)				FeRAM (non-volatile memory)
Transmission range	(Refer to transmission range specifications on following page.)				
Battery service life (See note.)	8 years	5 years	8 years	Data-holding time: 10 years	
Number of data read/write conversions	No limit (up to the extent of the battery service life).				1,000 million times
Error detection	16-bit CRC error detection is used in both directions of transmission.				
Operating temperature	-25°C to 70°C				
Storage temperature	-40°C to 70°C				
Operating humidity	35% to 95% RH				
Storage humidity	35% to 95% RH				
Degree of protection	Meets or exceeds IEC60529 IP67 and JEM IP67G standards for submersion and oil-resistance.				
Vibration resistance	10 to 500 Hz, 2.0-mm double amplitude; acceleration: 150 m/s ² ; one sweep in each of three axis directions, three sweeps in 11 minutes				
Shock	1,000 m/s ² three times each in X, Y, Z directions				500 m/s ² three times each in X, Y, Z directions
Dimensions	86 x 54 x 20 (mm)	65 x 40 x 17.5 (mm)	86 x 54 x 10.3 (mm)	86 x 54 x 20 (mm)	
Weight	Approx. 170 g	Approx. 70 g		Approx. 160 g	Approx. 150 g

Note The battery service life shown here is the value that can be expected at 55°C, 100 bytes/access, and 1,000 accesses/day.

R/W Heads

V600-H11
V600-H12

Item	Model	
	V600-H11	V600-H12
		
Operating frequency	530 kHz	
Operating temperature	-10°C to 60°C	-25°C to 70°C
Storage temperature	-25°C to 75°C	-40°C to 85°C
Operating humidity	35% to 95% RH	
Storage humidity	35% to 95% RH	
Degree of protection	Meets or exceeds IEC60529 IP67 and JEM IP67G standards for submersion and oil-resistance.	
Vibration resistance	10 to 500 Hz, 2.0-mm double amplitude; acceleration: 150 m/s ² (about 15 G); X, Y, Z directions, 30 minutes	
Shock resistance	500 m/s ² (about 50 G) three times each in X, Y, Z direction	
Dimensions	53 x 40 x 23 (mm)	100 x 70 x 30 (mm)
Weight	Approx. 650 g (with 10-m cable)	Approx. 1 kg (with 10-m cable)

Transmission Range Specifications (Recommended Operating Area)

When Combined With V600-H11

Item			Model				
			V600-D8KR11	V600-D8KR12D	V600-D8KR13	V600-D8KR04	V600-D8KF04
Range	Stationary	Flush-mounted within metal	10 to 50 mm	5 to 40 mm	10 to 30 mm	Refer to Graph A and the transmission area diagrams.	Refer to Graph C and the transmission area diagrams.
		Surface-mounted on metal	10 to 55 mm	5 to 45 mm	10 to 30 mm		
	Moving	Flush-mounted within metal	30 to 50 mm	25 to 40 mm	15 to 30 mm		
		Surface-mounted on metal	30 to 55 mm	25 to 45 mm	15 to 30 mm		

(Shaft slip: ± 10 mm)

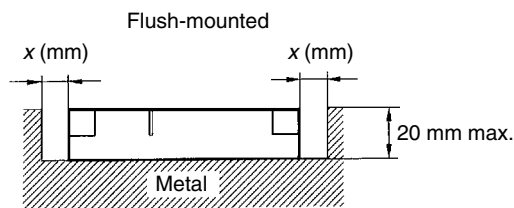


The transmission range in the specifications is satisfied even if the back panel is not metal.

When Combined With V600-H12

Item			Model			
			V600-D8KR11	V600-D8KR12D	V600-D8KR13	V600-D8KR04
Range	Stationary	Flush-mounted within metal	10 to 40 mm	5 to 25 mm	10 to 35 mm	Refer to Graph B and the transmission area diagrams.
		Surface-mounted on metal	15 to 45 mm	10 to 30 mm	15 to 40 mm	
	Moving	Flush-mounted within metal	20 to 40 mm	15 to 25 mm	20 to 35 mm	
		Surface-mounted on metal	25 to 45 mm	20 to 30 mm	25 to 40 mm	

(Shaft slip: ± 10 mm)



The restrictions illustrated in the above diagram apply when the V600-D8KR04 is flush-mounted in a metal casing.

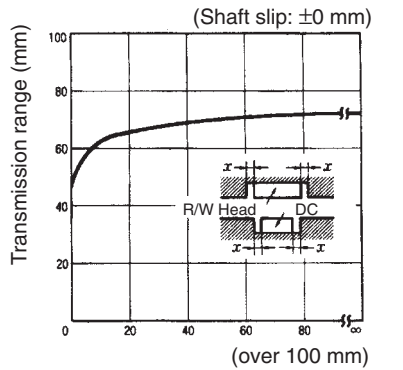
Transmission Area Diagrams

The following diagrams are representative examples. The unit of measurement used is mm.

Graph A

V600-H06/V600-D8KR04

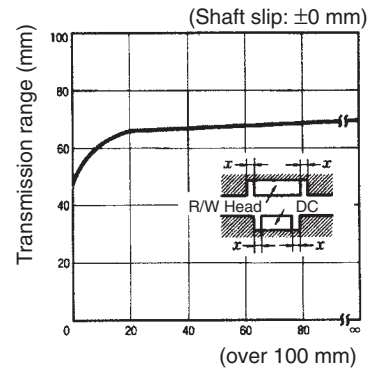
Effect of Surrounding Metals



Gap between R/W Head and metal (x)

V600-H12/V600-D8KR04

Effect of Surrounding Metals



Gap between R/W Head and metal (x)

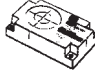


Specifications and Performance of 500-kHz Models

Data Carrier

V600-D2KR01, V600-D8KR01

V600-D2KR02, V600-D8KR02

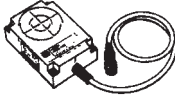
V600-D2KR03, V600-D8KR03

Item	Model		
	V600-D2KR01 V600-D8KR01 	V600-D2KR02 V600-D8KR02 	V600-D2KR03 V600-D8KR03 
Memory capacity	2K bytes/8K bytes		
Memory type	SRAM (volatile memory)		
Battery service life	(Refer to transmission range specifications on following page.)		
Battery life (See note.)	8 years	5 years	8 years
Number of data read/write conversions	No limit (up to the extent of the battery service life)		
Error detection	16-bit CRC error detection is used in both directions of transmission.		
Operating temperature	-25°C to 70°C		
Storage temperature	-40°C to 70°C		
Operating humidity	35% to 95% RH		
Storage humidity	35% to 95% RH		
Degree of protection	Meets or exceeds IEC60529 IP67 and JEM IP67G standards for submersion and oil-resistance.		
Vibration resistance	10 to 500 Hz, 2.0-mm double amplitude; acceleration: 150 m/s ² (about 15 G); one sweep in each of three axis directions, three sweeps in 11 minutes		
Shock resistance	1,000 m/s ² (about 100 G) three times each in X, Y, Z directions		
Dimensions	86 x 54 x 20 (mm)	65 x 40 x 15 (mm)	86 x 54 x 10.3 (mm)
Weight	Approx. 170 g	Approx. 70 g	

Note The battery service life shown here is the value that can be expected at 55°C, 100 bytes/access, and 1,000 accesses/day.

R/W Head

V600-H06

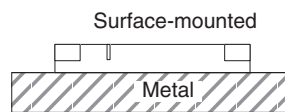
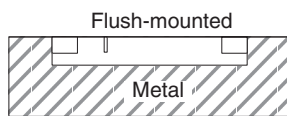
Item	Model
	<p data-bbox="1066 309 1177 331">V600-H06</p> 
Operating frequency	500 kHz
Operating temperature	-25°C to 70°C
Storage temperature	-40°C to 85°C
Operating humidity	35% to 95% RH
Storage humidity	35% to 95% RH
Degree of protection	Meets or exceeds IEC60529 IP67 and JEM IP67G standards for submersion and oil-resistance.
Vibration resistance	10 to 500 Hz, 2.0-mm double amplitude; acceleration: 150 m/s ² (about 15 G); one sweep in each of three axis directions, three sweeps in 11 minutes
Shock resistance	500 m/s ² (about 50 G) three times each in X, Y, Z direction
Dimensions	100 x 70 x 30 (mm)
Weight	Approx. 1 kg (with 10 m cable)

Transmission Range Specifications (Recommended Operating Area)

When Combined With V600-H06

Item			Model		
			V600-D2KR01 V600-D8KR01	V600-D2KR02 V600-D8KR02	V600-D2KR03 V600-D8KR03
Range	Stationary	Flush-mounted within metal	10 to 35 mm	5 to 25 mm	10 to 35 mm
		Surface-mounted on metal	15 to 45 mm	10 to 30 mm	15 to 40 mm
	Moving	Flush-mounted within metal	20 to 35 mm	15 to 25 mm	20 to 35 mm
		Surface-mounted on metal	25 to 40 mm	20 to 30 mm	25 to 40 mm

(Shaft slip: ±10 mm)

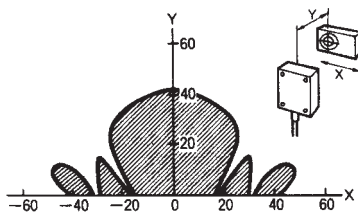


The transmission range in the specifications is satisfied even if the back panel is not metal.

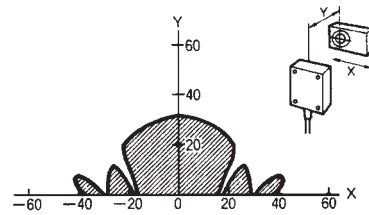
Transmission Area Diagrams

The following diagrams are representative examples. The unit of measurement used is mm.

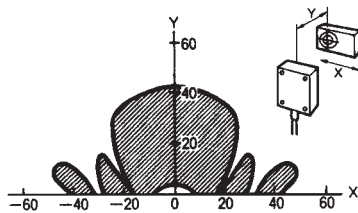
V600-D□KR01 and V600-H06



V600-D□KR02 and V600-H06



V600-D□KR03 and V600-H06



Note All mounting conditions shown here are for metal back panel mounting.

Combining 500-kHz and 530-kHz Models

Transmission Range Specifications (Recommended Operating Area)

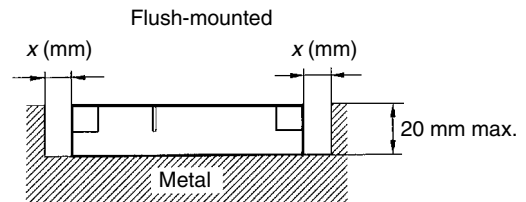
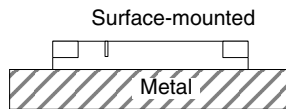
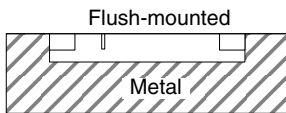
It is possible to use 500-kHz models and 530-kHz models in combination, but the transmission ranges are different.

1) 500-KHz R/W Head Combined With 530-kHz DC

• Combined With V600-H06

Item			Model			
			V600-D8KR11	V600-D8KR12D	V600-D8KR13	V600-D8KR04
Range	Stationary	Flush-mounted within metal	10 to 35 mm	5 to 25 mm	10 to 30 mm	Refer to Graph A and the transmission area diagrams.
		Surface-mounted on metal	15 to 40 mm	10 to 30 mm	15 to 35 mm	
	Moving	Flush-mounted within metal	20 to 35 mm	15 to 25 mm	20 to 30 mm	
		Surface-mounted on metal	25 to 40 mm	20 to 30 mm	25 to 35 mm	

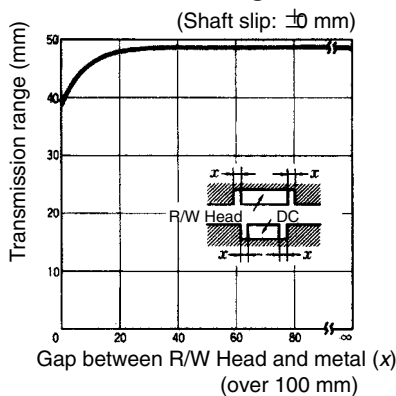
(Shaft slip: ± 10 mm)



The transmission range in the specifications is satisfied even if the back panel is not metal.

The restrictions illustrated in the above diagram apply when the V600-D8KR04 is flush-mounted in a metal casing. (The data varies depending on range x.)

Graph A
V600-H06/V600-D8K04
Effect of Surrounding Metals



1) 530-KHz R/W Head Combined With 500-kHz DC

• Combined With V600-H12

Item			Model		
			V600-D2KR01 V600-D8KR01	V600-D2KR02 V600-D8KR02	V600-D2KR03 V600-D8KR03
Range	Stationary	Flush-mounted within metal	10 to 30 mm	5 to 20 mm	10 to 30 mm
		Surface-mounted on metal	15 to 35 mm	10 to 25 mm	15 to 35 mm
	Moving	Flush-mounted within metal	20 to 30 mm	15 to 20 mm	20 to 30 mm
		Surface-mounted on metal	25 to 35 mm	20 to 25 mm	25 to 35 mm

(Shaft slip: ±10 mm)

• Combined With V600-H11

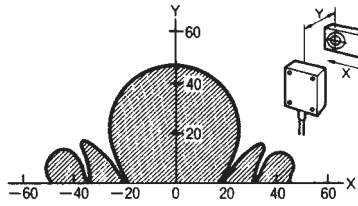
Item			Model		
			V600-D2KR01 V600-D8KR01	V600-D2KR02 V600-D8KR02	V600-D2KR03 V600-D8KR03
Range	Stationary	Flush-mounted within metal	5 to 25 mm	5 to 20 mm	5 to 20 mm
	Moving	Surface-mounted on metal	5 to 30 mm	5 to 25 mm	5 to 25 mm
	Stationary	Flush-mounted within metal	15 to 25 mm	15 to 20 mm	15 to 20 mm
	Moving	Surface-mounted on metal	15 to 30 mm	15 to 25 mm	15 to 25 mm

(Shaft slip: ±10 mm)

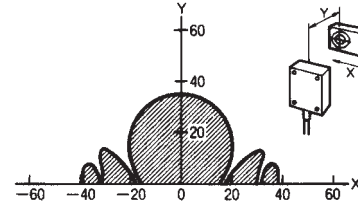
Transmission Area Diagrams

The following diagrams are representative examples. The unit of measurement used is mm.

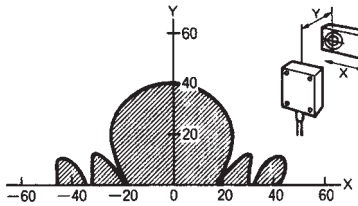
V600-D8KR11 and V600-H06



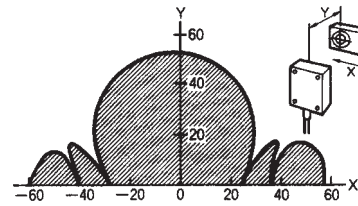
V600-D8KR12D and V600-H06



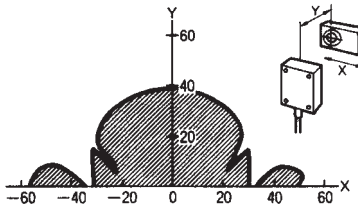
V600-D8KR13 and V600-H06



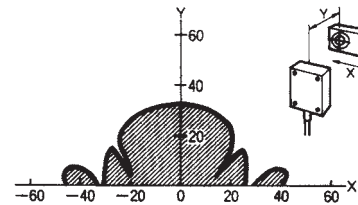
V600-D8KR04 and V600-H06



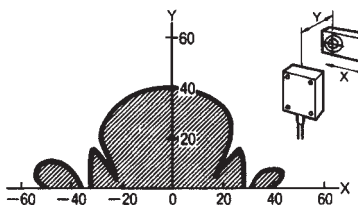
V600-D□KR01 and V600-H12



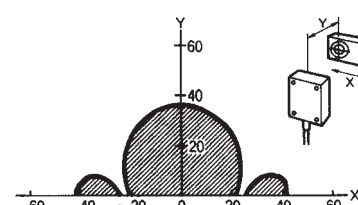
V600-D□KR02 and V600-H12



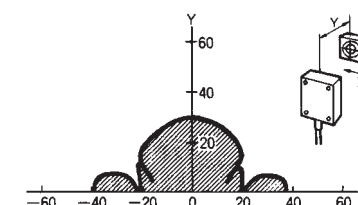
V600-D□KR03 and V600-H12



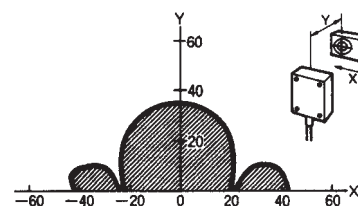
V600-D□KR01 and V600-H11



V600-D□KR02 and V600-H11



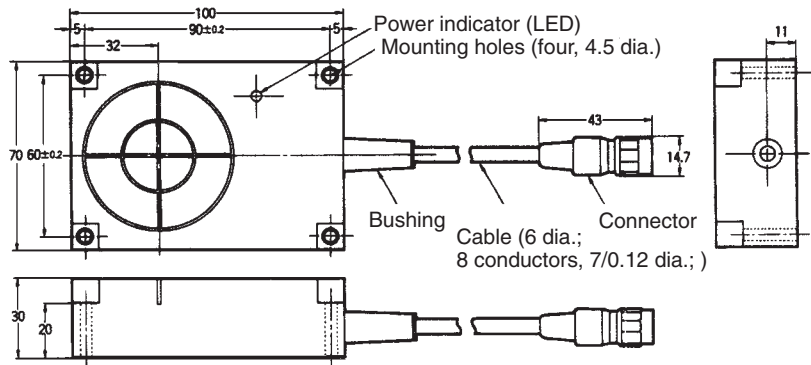
V600-D□KR03 and V600-H11



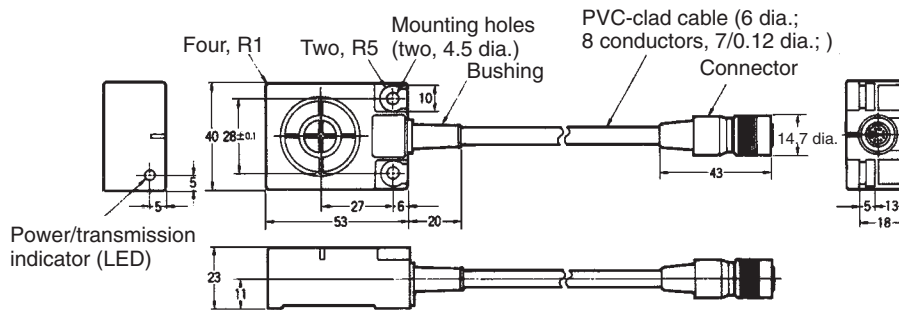
Note All mounting conditions shown here are for metal back panel mounting.

Dimensions

V600-H06/12



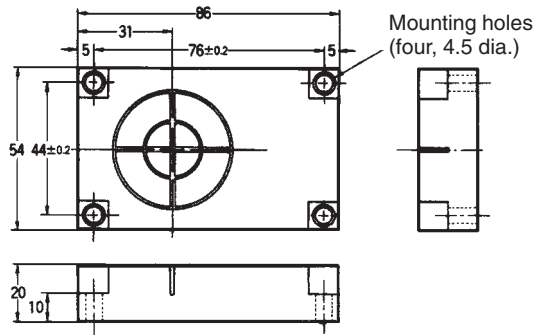
V600-H11



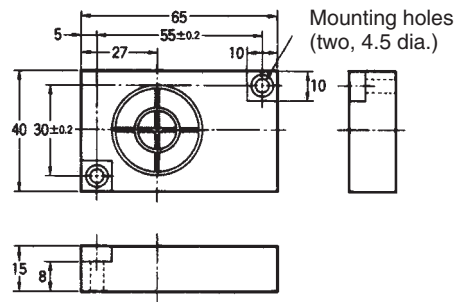
Case material	ABS resin
Fill resin	Epoxy resin
Cable	PVC (oil-resistant)

Note The connector is not water- or oil-resistant.

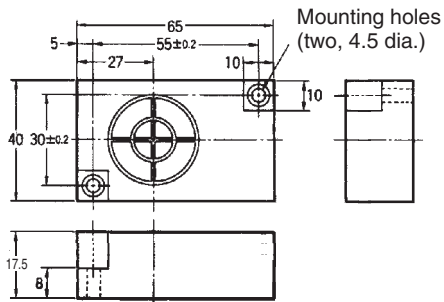
V600-D□KR01
V600-D8KR11



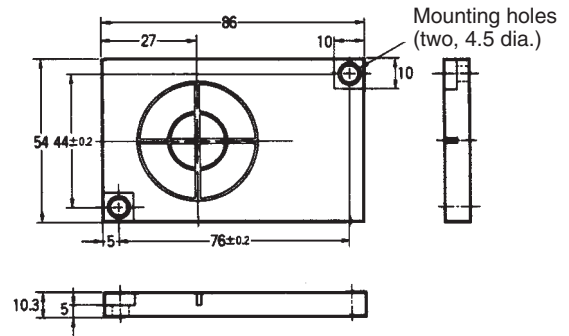
V600-D□KR02



V600-D8KR12D



V600-D□KR03
V600-D8KR13



Case material	ABS resin
Fill resin	Epoxy resin

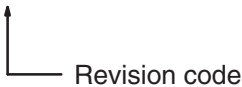
Appendix C

Other Series

Except for the transmission frequency, the specifications of the above 470-kHz models are exactly the same as those of the V600-H07, V600-H12, V600-D2KR11, and V600-D8KR12D. For details, refer to *Appendix B Discontinued Models and Replacements*.

Revision History

A manual revision code appears as a suffix to the catalog number on the front cover of the manual.

Cat. No. Z127-E1-04


The following table outlines the changes made to the manual during each revision. Page numbers refer to the previous version.

Revision code	Date	Revised content
1	August 1998	Original production
02	September 2003	<p>Page v: Added warranty and other PL-related information.</p> <p>Page 9: Changed warning symbols.</p> <p>Pages 23 and 32: Changed caution symbols.</p>
03	August 2006	<p>Pages iii, 2, and 3: Changed illustrations</p> <p>Page v: Updated warranty and other PL-related information.</p> <p>Page 2: Modified contents of features,</p> <p>Page 3: Changed system configuration diagram.</p> <p>Page 6: Changed note under the table.</p> <p>Page 8: Changed contents of WARNING.</p> <p>Page 8: Added specifications and outer dimensions for V600-D8KF04.</p> <p>Page 9: Added information to note 1 under the specifications table.</p> <p>Page 10: Changed description under <i>Production Date Area</i>.</p> <p>Page 12: Changed three illustrations under <i>Battery Service Life Factors</i>.</p> <p>Page 16: Added table under <i>Transmission Range Specifications</i> and added V600-D8KF04 to heading.</p> <p>Page 17: Changed description under <i>Transmission Time</i> and changed model numbers in description and note under <i>Built-in Battery Models</i>.</p> <p>Page 19: Added information for Battery-less models.</p> <p>Page 23: Changed description under <i>Precautions for Correct Use</i> and changed <i>Precautions for Correct Use</i> to <i>Note</i>.</p> <p>Pages 26 and 27: Added V600-D8KF04 to headings.</p> <p>Page 28: Added information on V600-D8KF04.</p> <p>Page 33: Deleted V600-A82 from the table.</p> <p>Page 38: Added column for V600-D8KF04 to the table.</p> <p>Page 39: Changed storage temperature from 70°C to 75°C.</p> <p>Page 41: Changed illustration graphics under <i>Transmission Area Diagrams</i> and removed note.</p> <p>Page 44: Removed “note.”</p> <p>Page 47: Added note and removed illustration.</p> <p>Page 49: Moved description about use in England to front matter and changed model numbers.</p>
04	June 2020	Changes due to the end of production of V600-D8KR12 Tag

OMRON Corporation Industrial Automation Company
Kyoto, JAPAN

Contact: www.ia.omron.com

Regional Headquarters

OMRON EUROPE B.V.

Wegalaan 67-69, 2132 JD Hoofddorp
The Netherlands
Tel: (31)2356-81-300/Fax: (31)2356-81-388

OMRON ELECTRONICS LLC

2895 Greenspoint Parkway, Suite 200
Hoffman Estates, IL 60169 U.S.A.
Tel: (1) 847-843-7900/Fax: (1) 847-843-7787

OMRON ASIA PACIFIC PTE. LTD.

No. 438A Alexandra Road # 05-05/08 (Lobby 2),
Alexandra Technopark,
Singapore 119967
Tel: (65) 6835-3011/Fax: (65) 6835-2711

OMRON (CHINA) CO., LTD.

Room 2211, Bank of China Tower,
200 Yin Cheng Zhong Road,
PuDong New Area, Shanghai, 200120, China
Tel: (86) 21-5037-2222/Fax: (86) 21-5037-2200

Authorized Distributor:

© OMRON Corporation 1998-2020 All Rights Reserved.
In the interest of product improvement,
specifications are subject to change without notice.

Cat. No. Z127-E1-04

0620(0898)