

Discontinuation Notice of Camera Bracket Attachment model FZ-S5M-XLC.

Product Discontinuation

Mounting Bracket for FZ-S5M[] series



Model FZ-S5M-XLC



Recommended Replacement

Mounting Bracket FH-SM/SC and FZ-S5M[]2 series

Model FH-SM-XLC
(Due out March, 2014)

[Discontinuation date]

The end of January, 2015

[Caution on recommended replacement]

The outline dimensions is difference.

Product discontinuation : 33.4 × 34 × 7 mm

Recommended replacement : 31.7 × 34 × 7 mm

However, There is no difference about the position for the mounting holes and the distance from the mounting screws to the top of camera.

[Difference from discontinued product]

Recommended replacement Model	Body Color	Dimen-sions	Wire connection	Mounting Dimensions	Charact-eristics	Operation ratings	Operation methods
FH-SM-XLC	**	*	-	**	-	-	-

** : Compatible

* : The change is a little/Almost compatible



-- : Not compatible

- : No corresponding specification

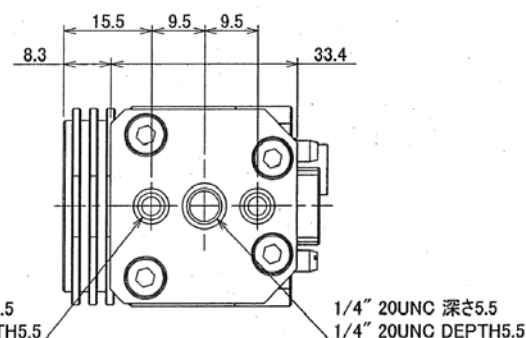
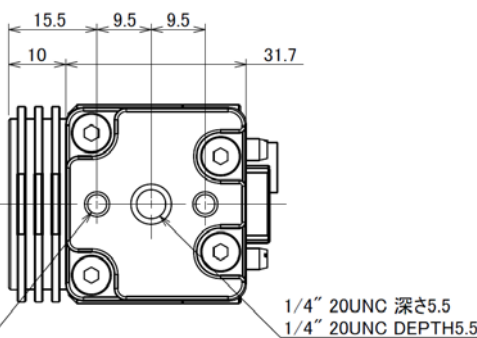
[Product Discontinuation and recommended replacement]

Product discontinuation	Recommended replacement
FZ-S5M-XLC	FH-SM-XLC

[Body color]

Product discontinuation Model FZ-S5M-XLC	Recommendable replacement Model FH-SM-XLC
Color : Black 	Color : Black 

[Dimensions]

Product discontinuation Model FZ-S5M-XLC	Recommendable replacement Model FH-SM-XLC
<p>Dimensions with Camera (Bottom View)</p>  <p>2-M4 深さ5.5 2-M4 DEPTH5.5</p> <p>1/4" 20UNC 深さ5.5 1/4" 20UNC DEPTH5.5</p>	<p>Dimensions with Camera (Bottom View)</p>  <p>2-M4 深さ5.5 2-M4 DEPTH5.5</p> <p>1/4" 20UNC 深さ5.5 1/4" 20UNC DEPTH5.5</p> <p>Note) The distance from the mounting screws to the top of camera is same.</p>

[Characteristics]

Item	Product discontinuation Model FZ-S5M-XLC	Recommendable replacement Model FH-SM-XLC
Material	Camera mount : PC/ABS Thread part of mount : Low cadmium brass	Camera base : PC/GF Mount screw : brass

Specifications and prices in this product news are as of the issue date and are subject to change without notice. Only main changes in specifications are described in this document. Please be sure to read the relevant catalogs, datasheets, product specifications, instructions, and manuals for precautions and necessary information when using products.