

Product Discontinuation Notices

Wiring Systems

Issue Date
March 2, 2015

No. 2015019CE

**Discontinuation Notice of Connector-terminal Conversion Unit
Standard-type a part of XW2B series
Slim-type XW2D-□□C6 series
Screwless-type XW2F-□□G7 series
Screwless-type XW2F-40G7-IN32 series
Screwless-type XW2F-40G7-OUT32 series.**

Product Discontinuation

Connector-Terminal Block Conversion Unit

Model a part of XW2B series



**Model XW2D-□□C6 series
Model XW2F-□□G7 series
Model XW2F-40G7-IN32
Model XW2F-40G7-OUT32**



Recommended Replacement

Connector-Terminal Block Conversion Unit

**Model XW2R series or
No recommended replacement
Model XW2R-J□□G-T series
Model XW2R-P□□G-T series
Model XW2R-P32G-C1-COM
Model XW2R-P32G-C3-COM**

[Discontinuation date]

The end of March, 2016

[Caution on recommended replacement]

Some of the recommended replacement products are different in appearance, external and mounting dimensions.

XW2R-P32G-C1-COM and XW2R-P32G-C3-COM are different in accessory cable.

[Difference from discontinued product]

Recommended replacement Model	Body Color	Dimensions	Wire connection	Mounting Dimensions	Characteristics	Operation ratings	Operation methods
XW2R-J40F-T	--	--	*	--	*	**	**
XW2R-J□□G-T series	--	--	*	--	*	**	**
XW2R-P□□G-T series	--	--	*	--	*	**	**
XW2R-P32G-C1-COM	--	--	*	--	*	**	**
XW2R-P32G-C3-COM	--	--	*	--	*	**	**

** : Compatible

* : The change is a little/Almost compatible



-- : Not compatible

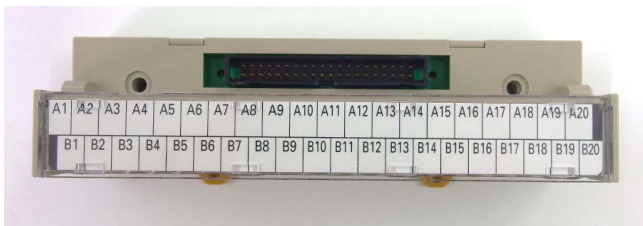
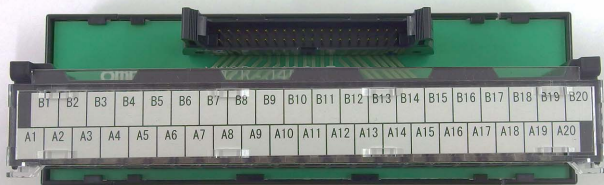
- : No corresponding specification



[Product Discontinuation and recommended replacement]

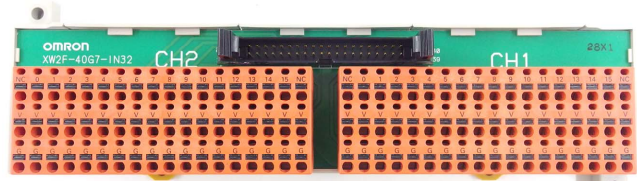
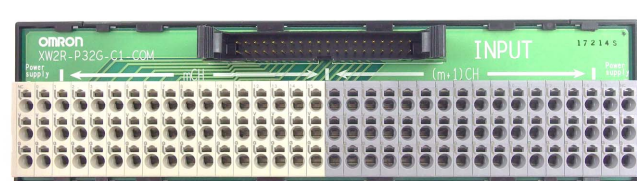
Product discontinuation	Recommended replacement
XW2B-20G5-P	No recommended replacement
XW2B-20G5-T	No recommended replacement
XW2B-20Y5	No recommended replacement
XW2B-34X5	No recommended replacement
XW2B-34Y5	No recommended replacement
XW2B-40F5-J	No recommended replacement
XW2B-40F5-P	XW2R-J40F-T
XW2B-20X5	No recommended replacement
XW2B-50X5	No recommended replacement
XW2B-ADP-Y1	No recommended replacement
XW2D-20C6	XW2R-J20G-T
XW2D-34C6	XW2R-J34G-T
XW2D-40C6	XW2R-J40G-T
XW2D-50C6	XW2R-J50G-T
XW2F-20G7	XW2R-P20G-T
XW2F-40G7	XW2R-P40G-T
XW2F-40G7-IN32	XW2R-P32G-C1-COM
XW2F-40G7-OUT32	XW2R-P32G-C3-COM

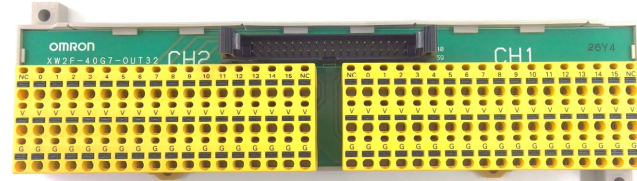
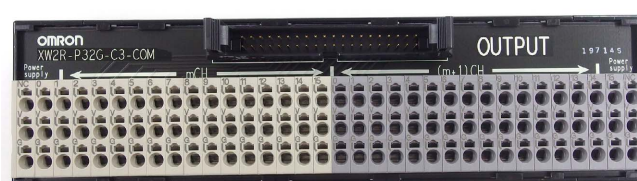
[Body color]

Product discontinuation Model XW2B-40F5-P	Recommendable replacement Model XW2R-J40F-T
<p>Main body: Gray</p> 	<p>Main body: Black PWB: Green</p> 

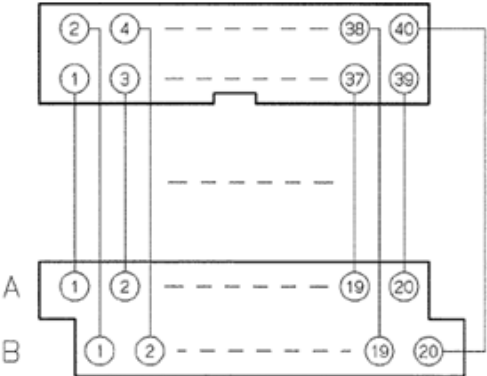
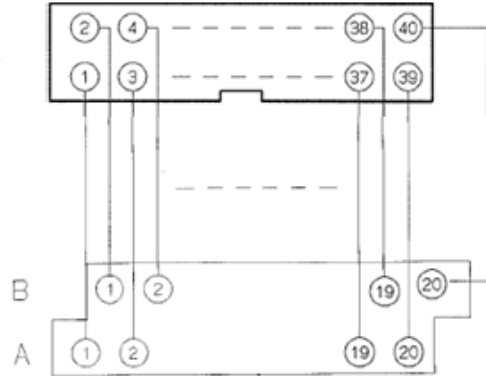
Product discontinuation Model XW2D-□□C6 series	Recommendable replacement Model XW2R-J□□G-T series
<p>Main body: Gray</p> 	<p>Main body: Black PWB: Green</p> 

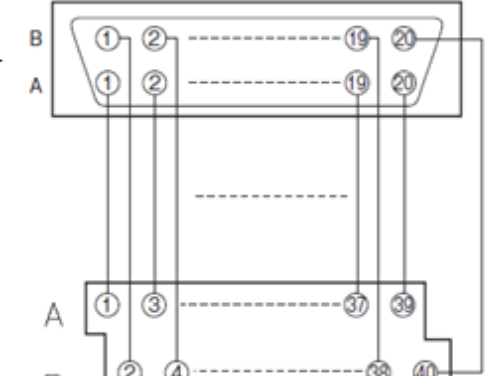
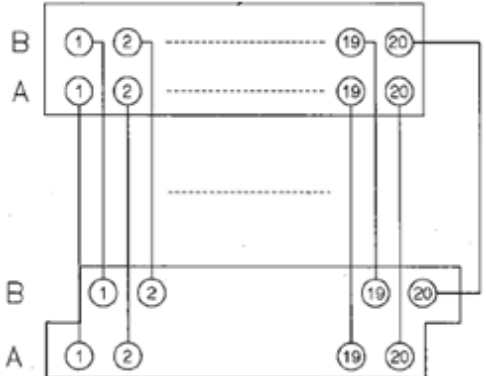
<p align="center">Product discontinuation Model XW2F-□□G7 series</p>	<p align="center">Recommendable replacement Model XW2R-P□□G-T series</p>
<p>Main body: Gray PWB: Green Terminal block: Warm gray</p> 	<p>Main body: Black PWB: Green Terminal block: Light gray</p> 

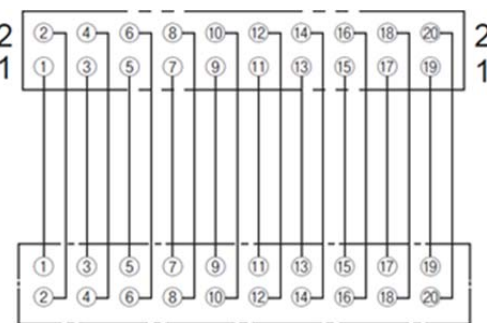
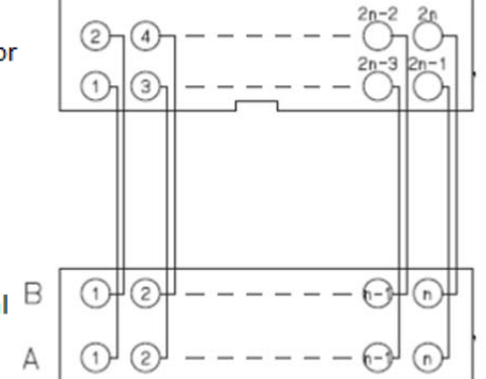
<p align="center">Product discontinuation Model XW2F-40G7-IN32</p>	<p align="center">Recommendable replacement Model XW2R-P32G-C1-COM</p>
<p>Main body: Gray PWB: Green Terminal block: Orange</p> 	<p>Main body: Black PWB: Green Terminal block: Light gray, Gray</p> 

<p align="center">Product discontinuation Model XW2F-40G7-OUT32</p>	<p align="center">Recommendable replacement Model XW2R-P32G-C3-COM</p>
<p>Main body: Gray PWB: Green Terminal block: Yellow</p> 	<p>Main body: Black PWB: Black Terminal block: Light gray, Gray</p> 

[Wire connection]

<p>Product discontinuation Model XW2B-40F5-P</p>	<p>Recommendable replacement Model XW2R-J40F-T</p>
<p>Wire diagram Upper of the terminal block is connected to the A of the connector and lower is connected to the B.</p> 	<p>Wire diagram Upper of the terminal block is connected to the B of the connector and lower is connected to the A.</p> 

<p>Product discontinuation Model XW2D-□□C6 series</p>	<p>Recommendable replacement Model XW2R-J□□G-T series</p>
<p>Wire diagram Upper of the terminal block is connected to the A of the connector and lower is connected to the B.</p> 	<p>Wire diagram Upper of the terminal block is connected to the B of the connector and lower is connected to the A.</p> 

<p>Product discontinuation Model XW2F-□□G7 series</p>	<p>Recommendable replacement Model XW2R-P□□G-T series</p>
<p>Wire diagram Upper of the terminal block is connected to the odd numbered line of the connector and lower is connected to the even numbered line.</p> 	<p>Wire diagram Upper of the terminal block is connected to the even numbered line of the connector and lower is connected to the odd numbered line.</p> 

**Product discontinuation
Model XW2F-40G7-IN32**

Wire diagram

CONNECTOR	TERMINAL BLOCK	
	MIL	CH1
1	-	NC
2	-	NC
3	-	V
4	-	V
5	-	15
6	-	7
7	-	14
8	-	6
9	-	13
10	-	5
11	-	12
12	-	4
13	-	11
14	-	3
15	-	10
16	-	2
17	-	9
18	-	1
19	-	8
20	-	0
21	NC	-
22	NC	-
23	V	-
24	V	-
25	15	-
26	7	-
27	14	-
28	6	-
29	13	-
30	5	-
31	12	-
32	4	-
33	11	-
34	3	-
35	10	-
36	2	-
37	9	-
38	1	-
39	8	-
40	0	-

**Recommendable replacement
Model XW2R-P32G-C1-COM**

Wire diagram

CONNECTOR	TERMINAL BLOCK	
	MIL	CH1
1	0	-
2	-	0
3	1	-
4	-	1
5	2	-
6	-	2
7	3	-
8	-	3
9	4	-
10	-	4
11	5	-
12	-	5
13	6	-
14	-	6
15	7	-
16	-	7
17	V	V
18	V	V
19	8	-
20	-	8
21	9	-
22	-	9
23	10	-
24	-	10
25	11	-
26	-	11
27	12	-
28	-	12
29	13	-
30	-	13
31	14	-
32	-	14
33	15	-
34	-	15
35	V	V
36	V	V
37	NC	NC
38	NC	NC
39	NC	NC
40	NC	NC

**Product discontinuation
Model XW2F-40G7-OUT32**

Wire diagram

CONNECTOR	TERMINAL BLOCK	
	MIL	CH1
1	-	NC
2	-	NC
3	-	G
4	-	G
5	-	15
6	-	7
7	-	14
8	-	6
9	-	13
10	-	5
11	-	12
12	-	4
13	-	11
14	-	3
15	-	10
16	-	2
17	-	9
18	-	1
19	-	8
20	-	0
21	V	-
22	V	-
23	G	-
24	G	-
25	15	-
26	7	-
27	14	-
28	6	-
29	13	-
30	5	-
31	12	-
32	4	-
33	11	-
34	3	-
35	10	-
36	2	-
37	9	-
38	1	-
39	8	-
40	0	-

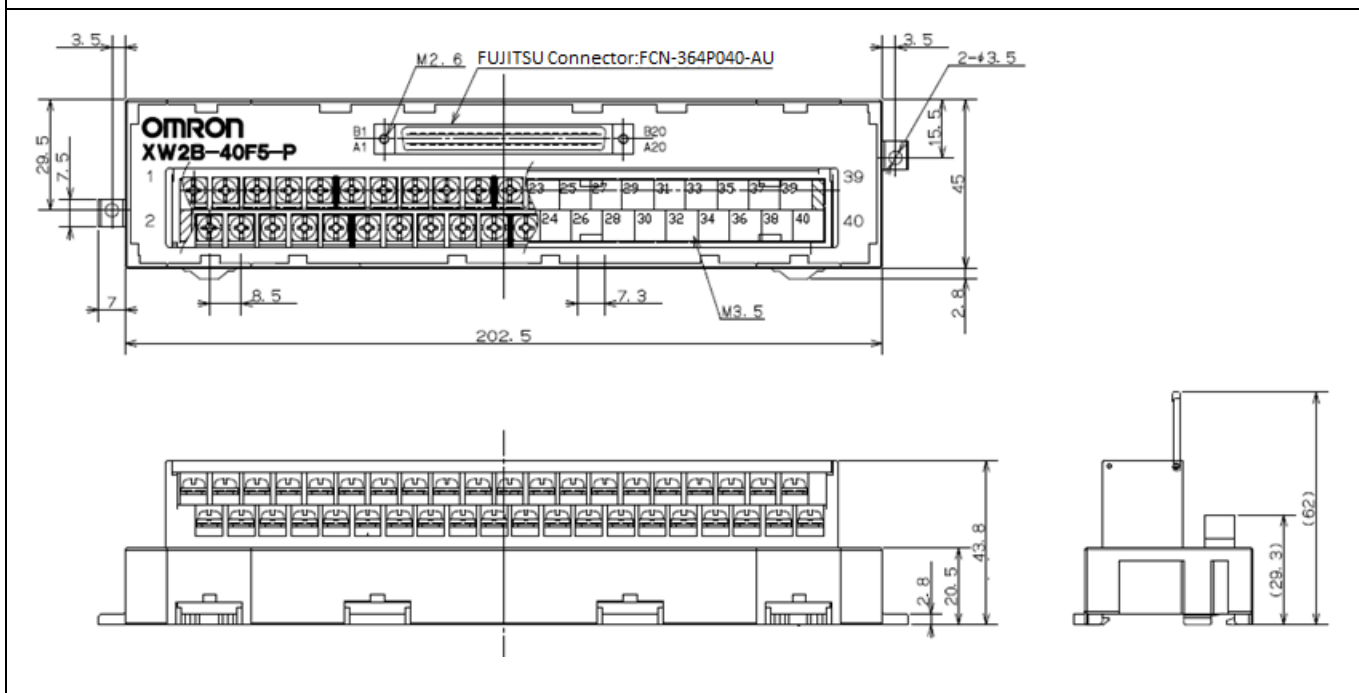
**Recommendable replacement
Model XW2R-P32G-C3-COM**

Wire diagram

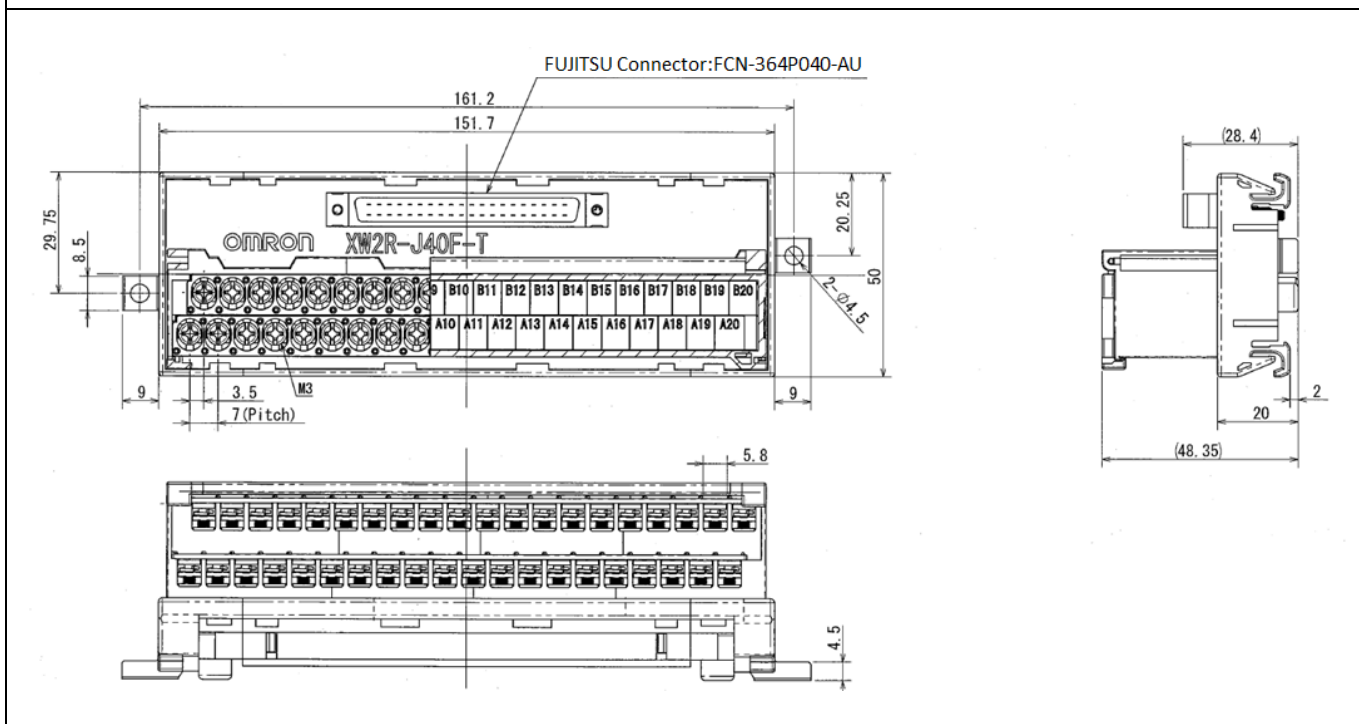
CONNECTOR	TERMINAL BLOCK	
	MIL	CH1
1	0	-
2	-	0
3	1	-
4	-	1
5	2	-
6	-	2
7	3	-
8	-	3
9	4	-
10	-	4
11	5	-
12	-	5
13	6	-
14	-	6
15	7	-
16	-	7
17	G	G
18	G	G
19	V	V
20	V	V
21	8	-
22	-	8
23	9	-
24	-	9
25	10	-
26	-	10
27	11	-
28	-	11
29	12	-
30	-	12
31	13	-
32	-	13
33	14	-
34	-	14
35	15	-
36	-	15
37	G	G
38	G	G
39	V	V
40	V	V

[Dimensions / Mounting dimensions]

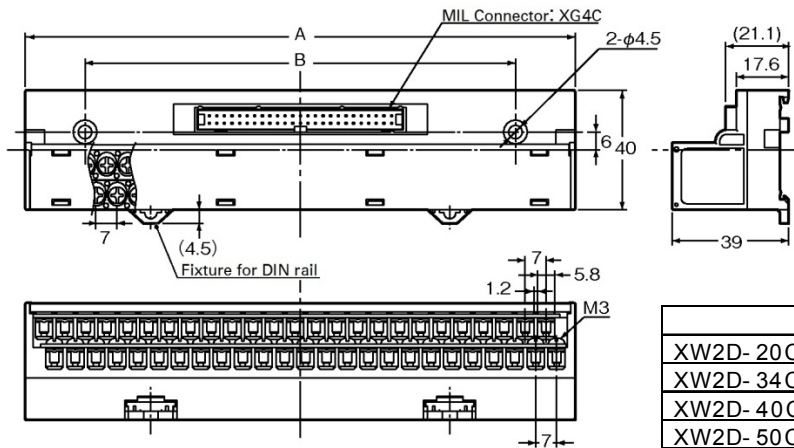
Product discontinuation
Model XW2B-40F5-P



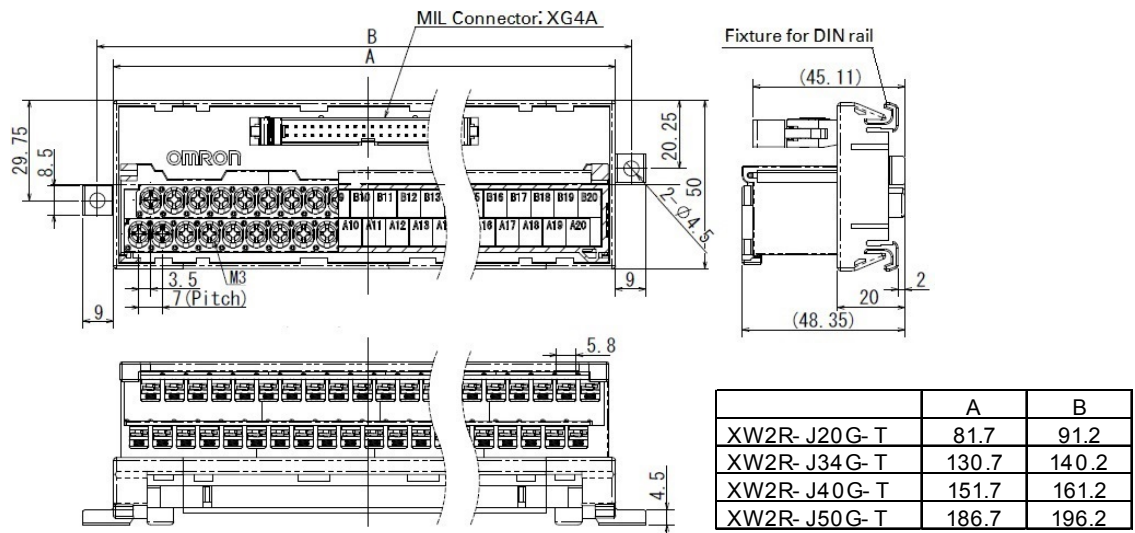
Recommendable replacement
Model XW2R-J40F-T



**Product discontinuation
Model XW2D-□□C6 series**

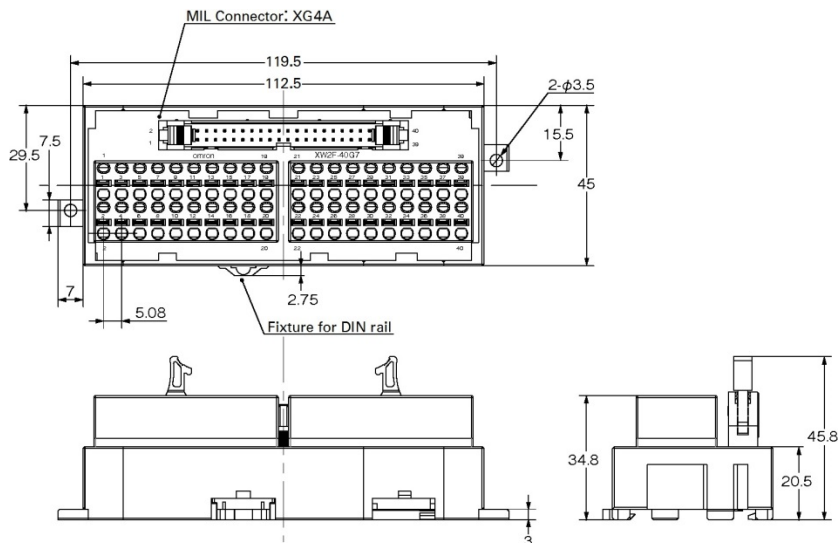


**Recommendable replacement
Model XW2R-J□□G-T series**

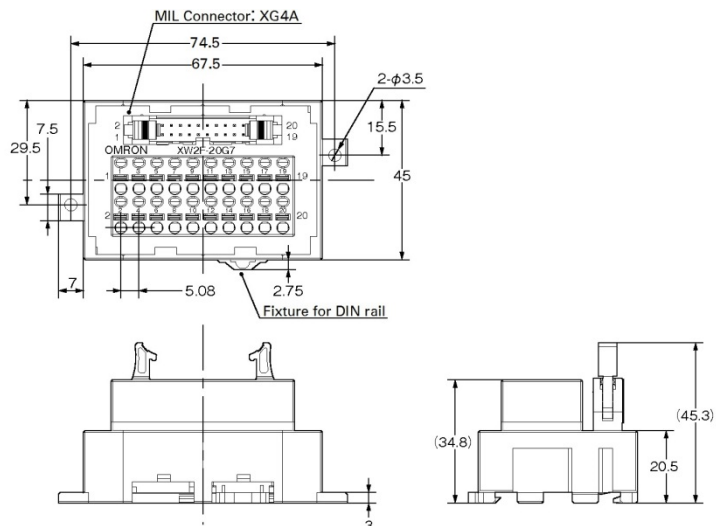


**Product discontinuation
Model XW2F-□□G7 series**

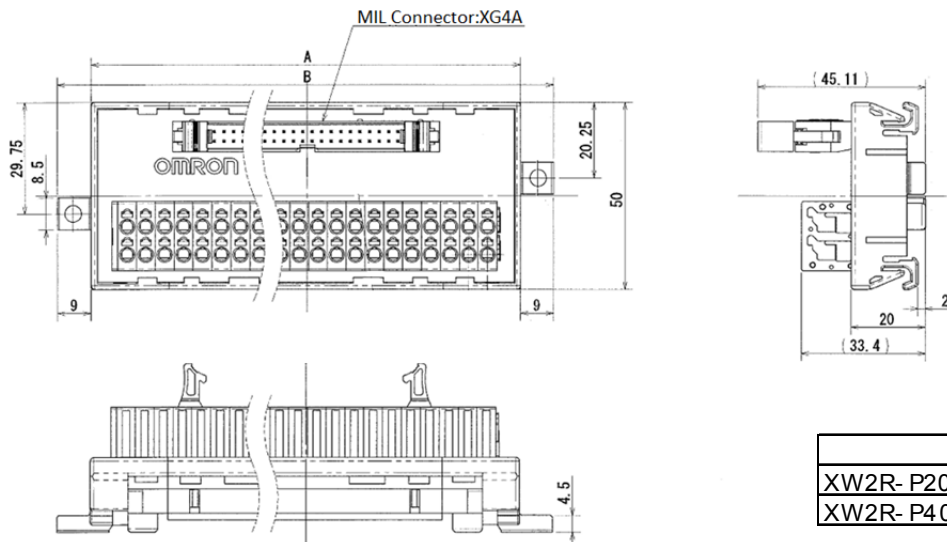
XW2F-40G7



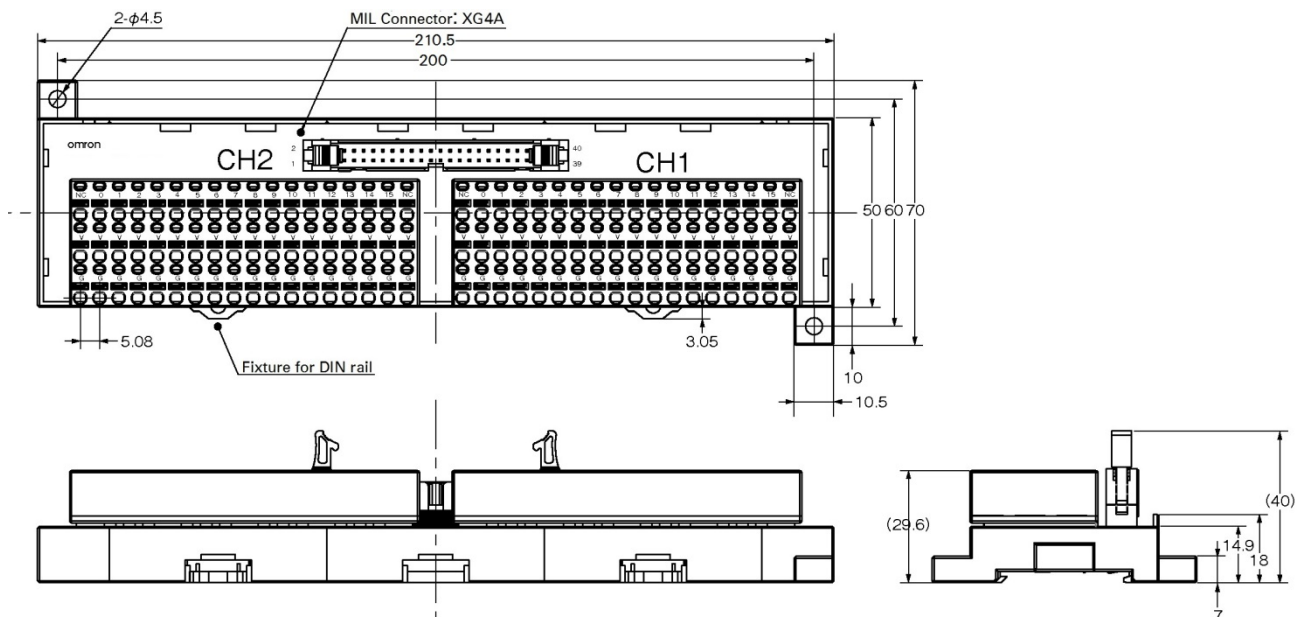
XW2F-20G7



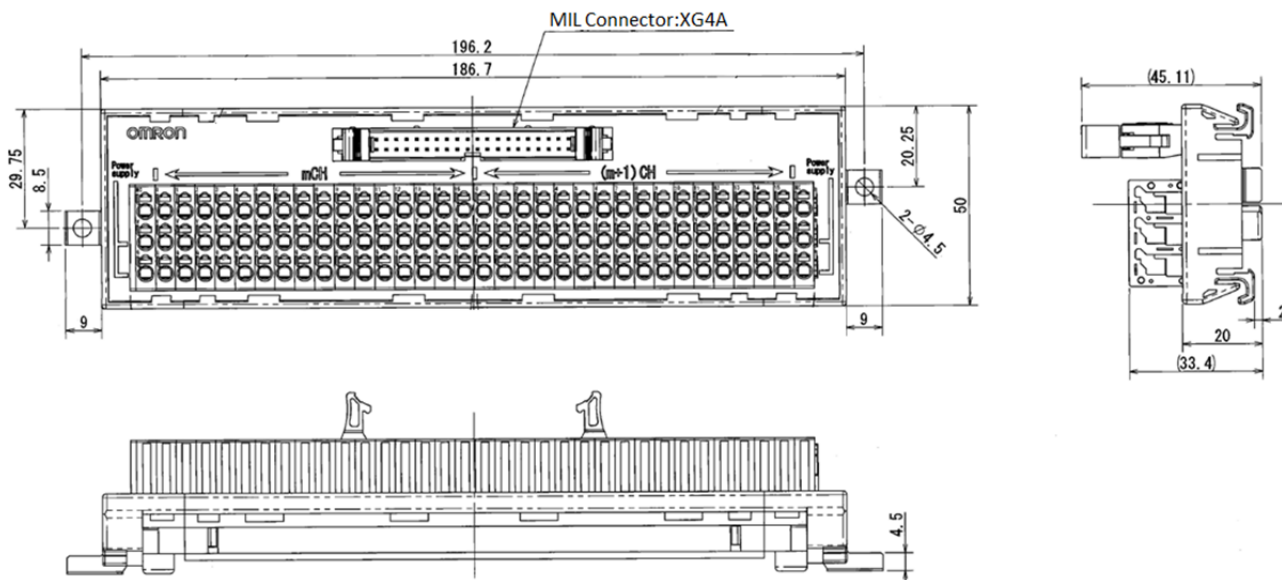
**Recommendable replacement
Model XW2R-P□□G-T series**



Product discontinuation
Model XW2F-40G7-IN32
Model XW2F-40G7-OUT32



Recommendable replacement
Model XW2R-P32G-C1-COM
Model XW2R-P32G-C3-COM



[Characteristics]

Item	Product discontinuation Model XW2B-40F5-P	Recommendable replacement Model XW2R-J40F-T
Rating current	1 A	
Rating voltage	24 VDC	125 VAC, 24 VDC
Insulation resistance	100 MΩ min. (at 500 VDC)	
Dielectric strength	500 VAC for 1 min (Leakage current: 1 mA max.)	
Operating temperature	0 to 55°C	
Size of applicable wires	Wires (direct connection): 22 to 16AWG Round crimp terminals: 22 to 14AWG Forked crimp terminals: 22 to 14AWG	Wires (direct connection): 26 to 16AWG Round crimp terminals: 22 to 16AWG Forked crimp terminals: 22 to 16AWG
Strip length of applicable wires	6 mm	9 mm
Terminal screw tightening torque	0.59 N·m	0.5 N·m

Item	Product discontinuation Model XW2D-□□C6 series	Recommendable replacement Model XW2R-J□□G-T series
Rating current	1 A	
Rating voltage	125 VAC, 24 VDC	
Insulation resistance	100 MΩ min. (at 500 VDC)	
Dielectric strength	500 VAC for 1 min (leakage current: 1 mA max.)	
Operating temperature	0 to 55°C	
Size of applicable wires	Wires (direct connection): 26 to 16AWG Round crimp terminals: 26 to 16AWG Forked crimp terminals: 22 to 16AWG	
Strip length of applicable wires	9 mm	
Terminal screw tightening torque	0.7 N·m	0.5 N·m

Item	Product discontinuation Model XW2F-□□G7 series	Recommendable replacement Model XW2R-P□□G-T series
Rating current	1 A	
Rating voltage	24 VDC	125 VAC, 24 VDC
Insulation resistance	100 MΩ min. (at 500 VDC)	
Dielectric strength	500 VAC for 1 min (Leakage current: 1 mA max.)	
Operating temperature	-10 to 55°C	0 to 55°C
Size of applicable wires	Wires (direct connection): 24 to 14AWG	Wires (direct connection): 28 to 14AWG Ferrule: 24 to 14AWG
Strip length of applicable wires	24 to 16AWG: 9 to 11 mm 14AWG: 5 to 11.5 mm	28 to 16AWG: 8 to 10 mm 14AWG: 9 to 10 mm

Item	Product discontinuation Model XW2F-40G7-IN32 Model XW2F-40G7-OUT32	Recommendable replacement Model XW2R-P32G-C1-COM Model: XW2R-P32G-C3-COM
Rating current	1 A / Signal, 4 A / Power	1 A / Signal, 8 A / Power
Rating voltage	24 VDC	125 VAC, 24 VDC
Insulation resistance	100 MΩ min. (at 500 VDC)	
Dielectric strength	500 VAC for 1 min (Leakage current: 1 mA max.)	
Operating temperature	-10 to 55°C	0 to 55°C
Size of applicable wires	Wires (direct connection): 24 to 14AWG	Wires (direct connection): 28 to 14AWG Ferrule: 24 to 14AWG
Strip length of applicable wires	24 to 16AWG: 9 to 11 mm 14AWG: 5 to 11.5 mm	28 to 16AWG: 8 to 10 mm 14AWG: 9 to 10 mm

Specifications and prices in this product news are as of the issue date and are subject to change without notice. Only main changes in specifications are described in this document. Please be sure to read the relevant catalogs, datasheets, product specifications, instructions, and manuals for precautions and necessary information when using products.