

Product Discontinuation Notices

December 1, 2009

Vision Sensors

No. 2009302E

Discontinuation Notice of Vision Sensor. FZ-S5M series

Product Discontinuation

Recommended Replacement



FZ-S5M



FZ-S5M2

Discontinuation date : The end of June, 2010

Caution on recommended replacement

For FZ3-9□□ FZ3-H9□□ : It is possible to use it.

For FZ3-7□□ FZ3-H7□□ : It is necessary to update software to the product.

Difference from discontinued product

Model	Body Color	Dimensions	Wire connection	Mounting Dimensions	Characteristics	Operation ratings	Operation methods
FZ-S5M2	**	*	**	*	*	**	**

** : Fully compatible

* : The change is a little/Almost compatible



-- : Not compatible

- : No corresponding specification

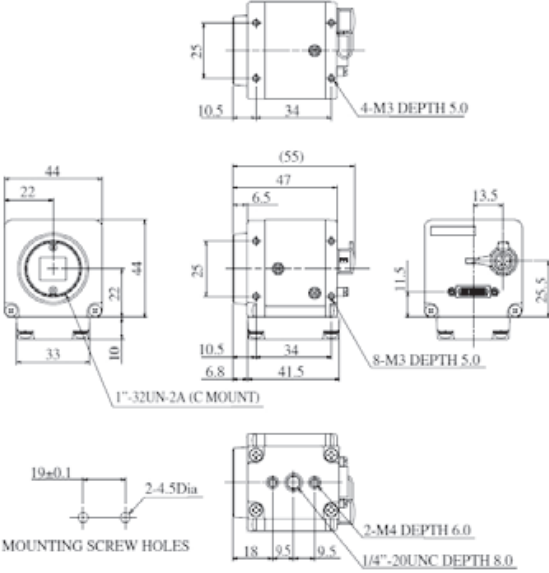
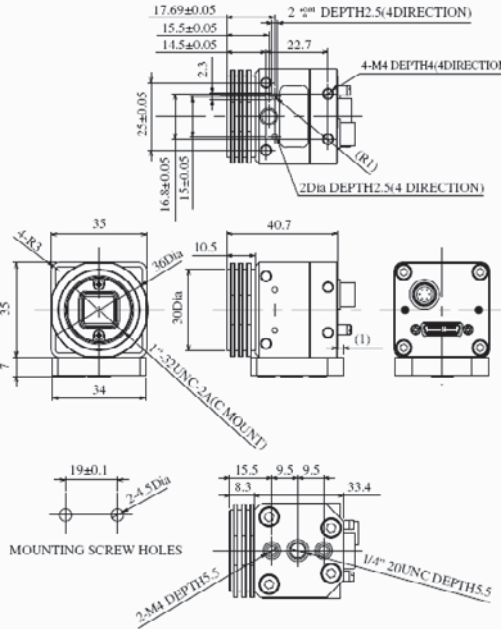
Product Discontinuation and recommended replacement

Product discontinuation	Recommended replacement
FZ-S5M	FZ-S5M2

Body color

Product discontinuation	Recommendable replacement
	

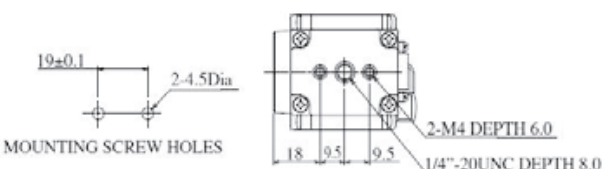
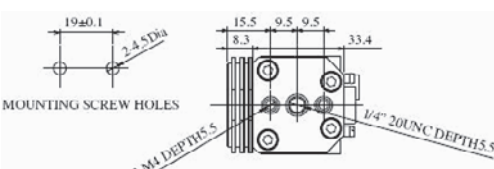
Dimensions

Product discontinuation	Recommendable replacement
 <p>1" 32UN-2A (C MOUNT)</p> <p>MOUNTING SCREW HOLES: 19±0.1, 2-4.5Dia</p> <p>2-M4 DEPTH 6.0</p> <p>1/4" 20UNC DEPTH 8.0</p>	 <p>MOUNTING SCREW HOLES: 19±0.1, 2-4.5Dia</p> <p>2-M4 DEPTH 5</p> <p>1/4" 20UNC DEPTH 5.5</p>

Wire Connection

Product discontinuation	Recommendable replacement
Fully compatible	

Mounting dimensions

Product discontinuation	Recommendable replacement
 <p>MOUNTING SCREW HOLES: 19±0.1, 2-4.5Dia</p> <p>2-M4 DEPTH 6.0</p> <p>1/4" 20UNC DEPTH 8.0</p>	 <p>MOUNTING SCREW HOLES: 19±0.1, 2-4.5Dia</p> <p>2-M4 DEPTH 5</p> <p>1/4" 20UNC DEPTH 5.5</p>

Characteristics

Product discontinuation		Recommendable replacement	
Item	FZ-SC5M/S5M	Item	FZ-SC5M2/S5M2
Power consumption	4.8W max.(12V DC,0.4A max.)	Power consumption	4.3W max.(13V DC,0.33A max.)
Vibration resistance	10 to 150Hz: half-amplitude: 0.35mm: (maximum acceleration: 50m/s ²), 10 times each in X, Y, and Z directions for 8 min	Vibration resistance	10 to 150Hz: half-amplitude: 0.35mm: (maximum acceleration: 50m/s ²), 10 times each in X, Y, and Z directions for 8 min
Shock resistance	Shock resistance 150m/s ² ; 3 times each in 6 directions (up/down, left/right, forward/backward)	Shock resistance	Shock resistance 150m/s ² ; 3 times each in 6 directions (up/down, left/right, forward/backward)
Ambient Temperature	Operating: 0 to 40 °C (with no icing nor condensation) Storage: -25 to 65 °C (with no icing nor condensation)	Ambient Temperature	Operating: 0 to 40 °C (with no icing nor condensation) Storage: -25 to 65 °C (with no icing nor condensation)
Ambient humidity	Operating and storage: 35% to 85% (with no condensation)	Ambient humidity	Operating and storage: 35% to 85% (with no condensation)
Ambient environment	No corrosive gases	Ambient environment	No corrosive gases
Degree of protection	IEC60529 IP20 (in-panel)	Degree of protection	IEC60529 IP20 (in-panel)
Materials	Cover :Galvanized steel sheet metal Case :Die-cast(ADC-12) Camera mounting base : PBT / Glass fiber	Materials	Case :Aluminum alloy Camera mount : PC/ABS Thread part of mount :Low cadmium brass
Weight	Approx. 140g (including base)	Weight	Approx. 98g (including base)
Cable length	Maximum 5m	Cable length	Maximum 5m

Operation ratings

Product discontinuation	Recommendable replacement
Fully compatible	

Operation methods

Product discontinuation	Recommendable replacement
Fully compatible	