

Product Discontinuation Notices

February 1, 2010

Power Supplies

No.2010030E

Discontinuation Notice of Switch Mode Power Supply S82J-[]D7 series

Product Discontinuation

Switch Mode Power Supply



S82J-[]D7 series

Recommended Replacement

Switch Mode Power Supply

S8JX series

(There is no recommended replacement for 100W(15V) model.)

Discontinuation date : The end of March, 2011

Caution on recommended replacement

Dimensions and Mounting Dimensions are different.
Input voltage range, Startup time, Hold time and Overload protection characteristic are changed.

Difference from discontinued product

Model	Body Color	Dimensions	Wire connection	Mounting Dimensions	Characteristics	Operation ratings	Operation methods
S8JX series	**	--	**	--	*	*	*

** : Fully compatible

* : The change is a little/Almost compatible

-- : Not compatible

- : No corresponding specification

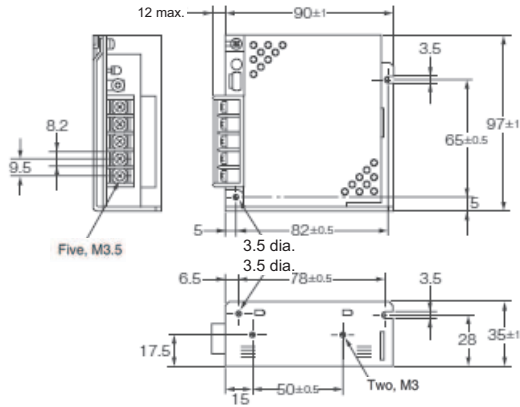
Product Discontinuation and recommended replacement

Configuration		Product discontinuation				Recommended replacement			
		Power Ratings	Output Voltage	Output current	Model	Power Ratings	Output Voltage	Output current	Model
Covered type	Front-mounting	10W	5V	2A	S82J-01005D7	15W	5V	3A	S8JX-G01505C
			12V	1A	S82J-01012D7		12V	1.3A	S8JX-G01512C
			15V	0.7A	S82J-01015D7		15V	1A	S8JX-G01515C
			24V	0.5A	S82J-01024D7		24V	0.65A	S8JX-G01524C
		25W	5V	5A	S82J-02505D7	35W	5V	7A	S8JX-G03505C
			12V	2.1A	S82J-02512D7		12V	3A	S8JX-G03512C
			15V	1.7A	S82J-02515D7		15V	2.4A	S8JX-G03515C
			24V	1.1A	S82J-02524D7		24V	1.5A	S8JX-G03524C
		50W	5V	8A	S82J-05005D7	50W	5V	10A	S8JX-G05005C
			12V	4.2A	S82J-05012D7		12V	4.2A	S8JX-G05012C
			24V	2.1A	S82J-05024D7		24V	2.1A	S8JX-G05024C
		100W	5V	20A	S82J-10005D7	100W	5V	20A	S8JX-G10005C
			12V	8.5A	S82J-10012D7		12V	8.5A	S8JX-G10012C
			15V	7A	S82J-10015D7		15V	7A	No recommended replacement.
			24V	4.5A	S82J-10024D7		24V	4.5A	S8JX-G10024C
		150W	24V	6.5A	S82J-15024D7	150W	24V	6.5A	S8JX-G15024C

Dimensions

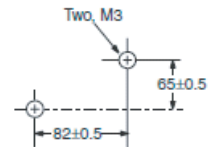
Product discontinuation S82J-[D]7 series

10W Model

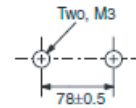


Mounting Holes (Surface Screw Mounting)

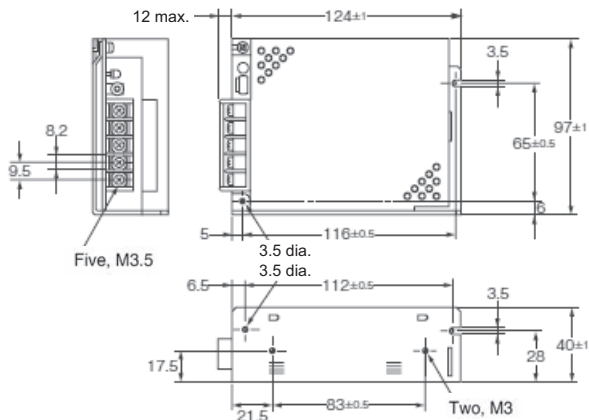
Side Mounting



Bottom Mounting

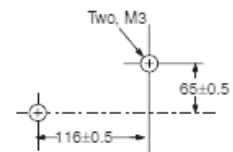


25W Model

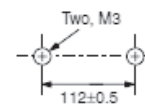


Mounting Holes (Surface Screw Mounting)

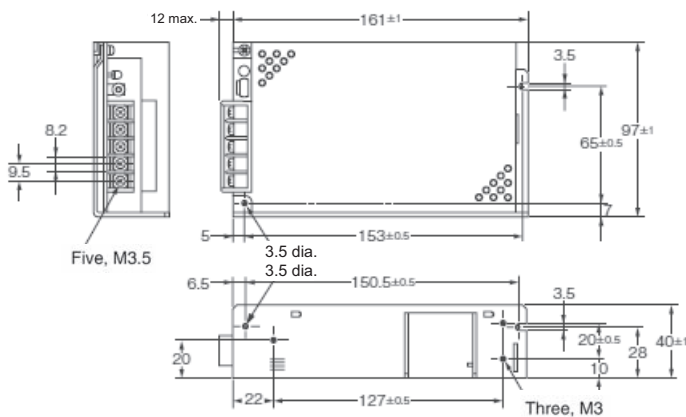
Side Mounting



Bottom Mounting

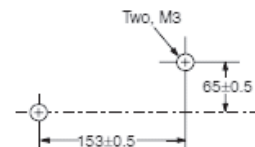


50W Model

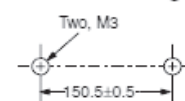


Mounting Holes (Surface Screw Mounting)

Side Mounting



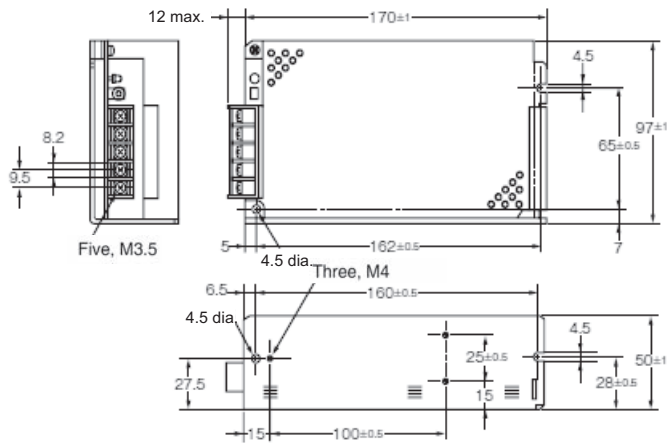
Bottom Mounting



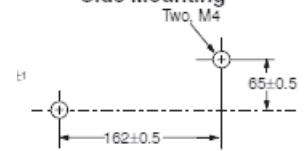
Dimensions

Product discontinuation S82J-[D]D7 series

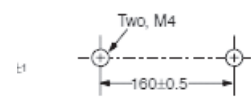
100W (24V) Model



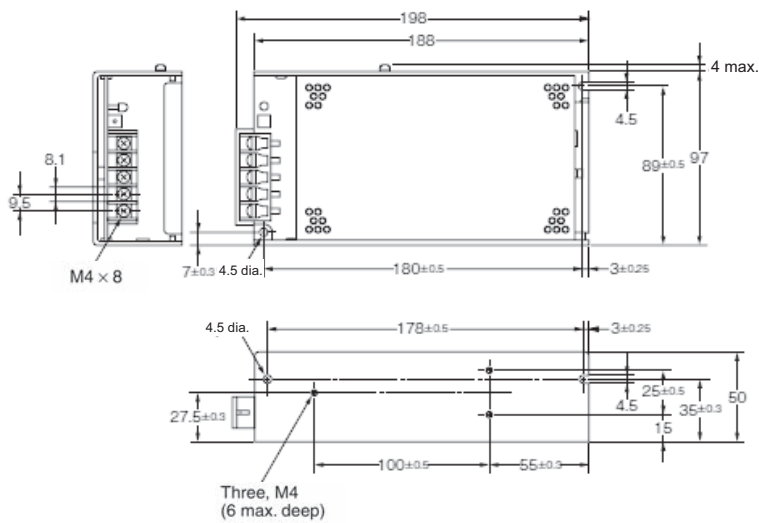
Mounting Holes (Surface Screw Mounting) Side Mounting



Bottom Mounting

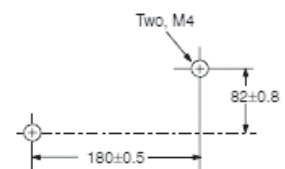


100W (5V, 12V, 15V), 150W Models

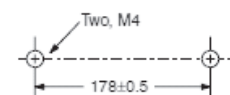


Mounting Holes (Surface Screw Mounting)

Side Mounting



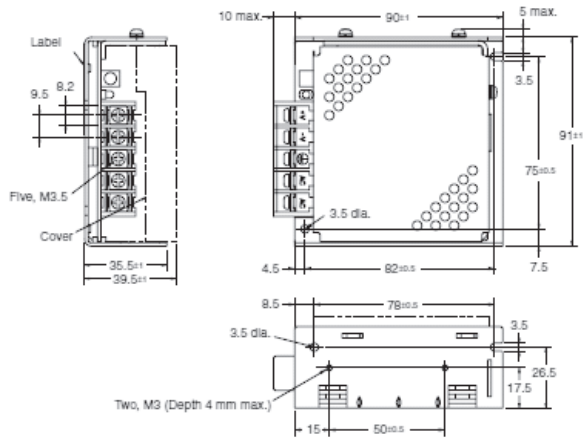
Bottom Mounting



Dimensions

Recommended replacement S8JX series

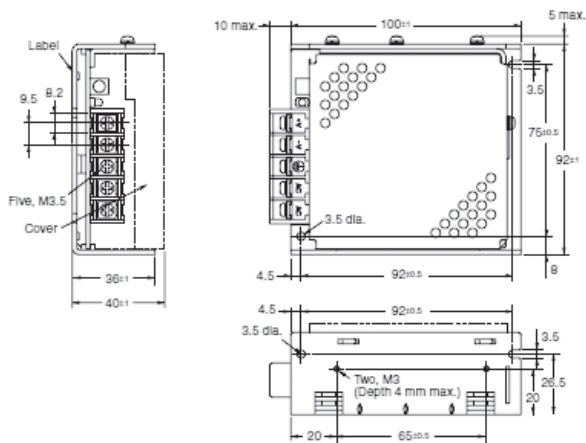
15W, 35W Models



Panel mounting holes dimensions

Surface screw mounting	
Side Mounting	Two, M3 75±0.5 82±0.5
Bottom Mounting	Two, M3 78±0.5

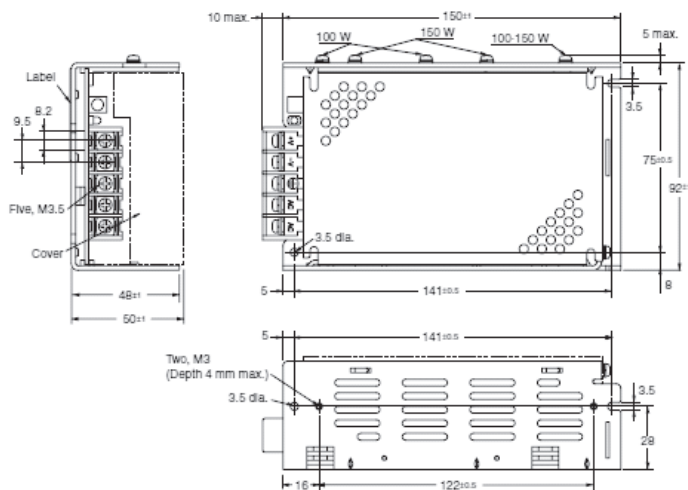
50W Model



Panel mounting holes dimensions

Surface screw mounting	
Side Mounting	Two, M3 75±0.5 92±0.5
Bottom Mounting	Two, M3 92±0.5

100W (5V, 12V, 24V), 150W Models

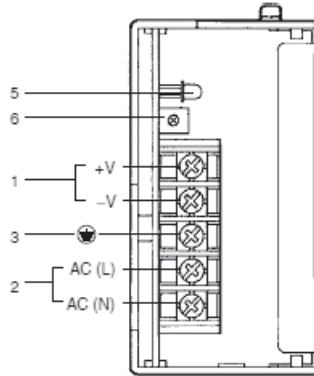


Panel mounting holes dimensions

Surface screw mounting	
Side Mounting	Two, M3 75±0.5 141±0.5
Bottom Mounting	Two, M3 141±0.5

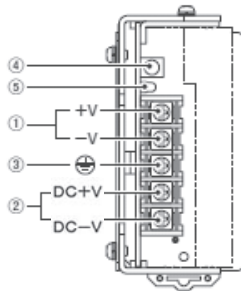
Wire Connection

Product discontinuation S82J-[D7 series



1. **DC Output Terminals:** Connect the load lines to these terminals.
2. **DC Input Terminals:** Connect the input lines to these terminals.
3. **PE Terminal/Protective earthing terminal:** Connect the ground line to this terminal.
5. **Output Indicator (DC ON: Green):** Lights while a Direct Current (DC) output is ON.
6. **Output Voltage Adjuster (V.ADJ):** It is possible to increase or decrease the output voltage by 10%.

Recommended replacement S8JX series



No.	Name	Function
1	DC Output Terminals (-V), (+V)	Connect the load lines to these terminals.
2	DC Input Terminals (L), (N)	Connect the input lines to these terminals. *1
3	Protective Earth Terminal (PE) (⊕)	Connect the ground line to these terminals. *2
4	Output Voltage Adjuster (V. ADJ)	Use to adjust the voltage.
5	Output Indicator (DC ON: Green)	Lights green while a direct current (DC) output is ON.

Characteristics

	Product discontinuation S82J-□D7 series	Recommended replacement S8JX series
Input Voltage	100 to 110 VDC (80 to 125 VDC)	100 to 370 VDC
Inrush current	20 A max. *for cold start at 25 °C	20 A max. (100V input) *for cold start at 25 °C
Start up time	200ms max.	500ms max.
Hold time	10ms min.	20ms min.
Overload protection	105% of rated load current, voltage drop, automatic reset	105% to 160% of rated load current, voltage drop, intermittent, automatic reset

Attachments and Option

Following attachments and option will be end of life due to S82J-□D7 series discontinuation.

Attachment:

Front-mounting bracket: 100W (5V, 12V, 15V), 150W models