

Product Discontinuation Notices

June 1, 2011

Temperature Controllers

No.2011168E

Discontinuation Notice of Temperature controller. E5ZE series

Product Discontinuation

Recommended Replacement



E5ZE Series
(Not fully included)

EJ1 series

Discontinuation date : The end of April, 2011

Caution on recommended replacement

E5ZE series will be discontinued. Replacement of EJ1 will require a amount of design change works (PLC Programming, unit setting, and so on). Omron will provide repair and maintenance service for seven years after product discontinuation.

Difference from discontinued product

Model	Body Color	Dimensions	Wire connection	Mounting Dimensions	Characteristics	Operation ratings	Operation methods
EJ1 series	--	--	--	--	--	--	--

** : Fully compatible

* : The change is a little/Almost compatible

-- : Not compatible

- : No corresponding specification

Product Discontinuation and recommended replacement

Discontinuation Model		Recommended Replacement Model		
Catalogue Number	Specification	Catalogue Number	Specification	Remarks
E5ZE-12AQHD1PB-101-V2 DC24	12loops Temperature controller, PT100, HB, Voltage output (12V DC), DeviceNet	EJ1N-TC2A-QNHB	2loops Temperature controller unit, Universal input, HB detection, Voltage output (12V DC)	6 TC2A units are necessary. Dimension of E5ZE and EJ1 are different. Terminal assignment is different.
		EJ1N-HFUB-DRT	DeviceNet communication unit for EJ1	
		EJ1C-EDUA-NFLK	End unit for EJ1	Dimension of E5ZE and EJ1 are different. Terminal assignment is different.
E5ZE-8ACA01P 24VDC	8loops temperature controller, Pt100, current output (4-20mA), RS232C	EJ1N-TC2A-CNB	2loops Temperature controller unit, Universal input, Current output (4-20mA)	4 EJ1N-TC2A-CNB units are necessary for 8 loops. Dimension of E5ZE and EJ1 are different. Terminal assignment is different.
		EJ1N-HFUA-NFLK	RS232C/RS485 communication unit with ladder less communication	Communication protocol is different. E5ZE has Sysway Protocol. EJ1 has ladder less communication with Omron PLC and Mitsubishi PLC via HFU unit.
		EJ1C-EDUA-NFLK	End unit for EJ1	Dimension of E5ZE and EJ1 are different. Terminal assignment is different.
E5ZE-8ACA01PB 24VDC	8loops temperature controller, Pt100, current output, RS232C with case	EJ1N-TC2A-CNB	2loops Temperature controller unit, Universal input, Current output (4-20mA)	4 EJ1N-TC2A-CNB units are necessary for 8 loops. Dimension of E5ZE and EJ1 are different. Terminal assignment is different.
		EJ1N-HFUA-NFLK	RS232C/RS485 communication unit with ladder less communication	Communication protocol is different. E5ZE has Sysway Protocol. EJ1 has ladder less communication with Omron PLC and Mitsubishi PLC via HFU unit.
		EJ1C-EDUA-NFLK	End unit for EJ1	Dimension of E5ZE and EJ1 are different. Terminal assignment is different.
E5ZE-8ACA01TC 24VDC	8loops temperature controller, Thermocouple, current output (4-20mA), RS232C	EJ1N-TC2A-CNB	2loops Temperature controller unit, Universal input, Current output (4-20mA)	4 EJ1N-TC2A-CNB units are necessary for 8 loops. Dimension of E5ZE and EJ1 are different. Terminal assignment is different.
		EJ1N-HFUA-NFLK	RS232C/RS485 communication unit with ladder less communication	Communication protocol is different. E5ZE has Sysway Protocol. EJ1 has ladder less communication with Omron PLC and Mitsubishi PLC via HFU unit.
		EJ1C-EDUA-NFLK	End unit for EJ1	Dimension of E5ZE and EJ1 are different. Terminal assignment is different.

Product Discontinuation and recommended replacement

Discontinuation Model		Recommended Replacement Model		
Catalogue Number	Specification	Catalogue Number	Specification	Remarks
E5ZE-8ACA01TCB 24VDC	8loops temperature controller, Thermocouple, current output (4-20mA), RS232C with case	EJ1N-TC2A-CNB	2loops Temperature controller unit, Universal input, Current output (4-20mA)	4 EJ1N-TC2A-CNB units are necessary for 8 loops. Dimension of E5ZE and EJ1 are different. Terminal assignment is different.
		EJ1N-HFUA-NFLK	RS232C/RS485 communication unit with ladder less communication	Communication protocol is different. E5ZE has Sysway Protocol. EJ1 has ladder less communication with Omron PLC and Mitsubishi PLC via HFU unit.
		EJ1C-EDUA-NFLK	End unit for EJ1	Dimension of E5ZE and EJ1 are different. Terminal assignment is different.
E5ZE-8ACA04P 24VDC	8loops temperature controller, Pt100, current output (4-20mA), RS422/RS485	EJ1N-TC2A-CNB	2loops Temperature controller unit, Universal input, Current output (4-20mA)	4 EJ1N-TC2A-CNB units are necessary for 8 loops. Dimension of E5ZE and EJ1 are different. Terminal assignment is different.
		EJ1N-HFUA-NFLK(RS232C/RS485) Or EJ1N-HFUA-NFL2(RS422/RS485)	RS232C/RS485 communication unit with ladder less communication or RS422/RS485 communication unit with ladder less communication	Communication protocol is different. E5ZE has Sysway Protocol. EJ1 has ladder less communication with Omron PLC and Mitsubishi PLC via HFU unit.
		EJ1C-EDUA-NFLK	End unit for EJ1	Dimension of E5ZE and EJ1 are different. Terminal assignment is different.
E5ZE-8ACA04PB 24VDC	8loops temperature controller, Pt100, current output (4-20mA), RS422/RS485 with case	EJ1N-TC2A-CNB	2loops Temperature controller unit, Universal input, Current output (4-20mA)	4 EJ1N-TC2A-CNB units are necessary for 8 loops. Dimension of E5ZE and EJ1 are different. Terminal assignment is different.
		EJ1N-HFUA-NFLK(RS232C/RS485) Or EJ1N-HFUA-NFL2(RS422/RS485)	RS232C/RS485 communication unit with ladder less communication or RS422/RS485 communication unit with ladder less communication	Communication protocol is different. E5ZE has Sysway Protocol. EJ1 has ladder less communication with Omron PLC and Mitsubishi PLC via HFU unit.
		EJ1C-EDUA-NFLK	End unit for EJ1	Dimension of E5ZE and EJ1 are different. Terminal assignment is different.
E5ZE-8ACA04TC 24VDC	8loops temperature controller, Thermocouple, current output (4-20mA), RS22/RS485	EJ1N-TC2A-CNB	2loops Temperature controller unit, Universal input, Current output (4-20mA)	4 EJ1N-TC2A-CNB units are necessary for 8 loops. Dimension of E5ZE and EJ1 are different. Terminal assignment is different.
		EJ1N-HFUA-NFLK(RS232C/RS485) Or EJ1N-HFUA-NFL2(RS422/RS485)	RS232C/RS485 communication unit with ladder less communication or RS422/RS485 communication unit with ladder less communication	Communication protocol is different. E5ZE has Sysway Protocol. EJ1 has ladder less communication with Omron PLC and Mitsubishi PLC via HFU unit.
		EJ1C-EDUA-NFLK	End unit for EJ1	Dimension of E5ZE and EJ1 are different. Terminal assignment is different.

Product Discontinuation and recommended replacement

Discontinuation Model		Recommended Replacement Model		
Catalogue Number	Specification	Catalogue Number	Specification	Remarks
E5ZE-8ACA04TCB 24VDC	8loops temperature controller, Thermocouple, current output (4-20mA), RS22/RS485 with case	EJ1N-TC2A-CNB	2loops Temperature controller unit, Universal input, Current output (4-20mA)	4 EJ1N-TC2A-CNB units are necessary for 8 loops. Dimension of E5ZE and EJ1 are different. Terminal assignment is different.
		EJ1N-HFUA-NFLK(RS232C/RS485) Or EJ1N-HFUA-NFL2(RS422/RS485)	RS232C/RS485 communication unit with ladder less communication or RS422/RS485 communication unit with ladder less communication	Communication protocol is different. E5ZE has Sysway Protocol. EJ1 has ladder less communication with Omron PLC and Mitsubishi PLC via HFU unit.
		EJ1C-EDUA-NFLK	End unit for EJ1	Dimension of E5ZE and EJ1 are different. Terminal assignment is different.
E5ZE-8ACAD1PB-V2 DC24V	8loops temperature controller, Pt100, current output, DeviceNet	EJ1N-TC2A-CNB	2loops Temperature controller unit, Universal input, Current output (4-20mA)	4 EJ1N-TC2A-CNB units are necessary for 8 loops. Dimension of E5ZE and EJ1 are different. Terminal assignment is different.
		EJ1N-HFUB-DRT	DeviceNet communication unit for EJ1	
		EJ1C-EDUA-NFLK	End unit for EJ1	Dimension of E5ZE and EJ1 are different. Terminal assignment is different.
E5ZE-8ACAD1TCB-V2 DC24V	8loops temperature controller, Thermocouple, current output (4-20mA), DeviceNet	EJ1N-TC2A-CNB	2loops Temperature controller unit, Universal input, Current output (4-20mA)	4 EJ1N-TC2A-CNB units are necessary for 8 loops. Dimension of E5ZE and EJ1 are different. Terminal assignment is different.
		EJ1N-HFUB-DRT	DeviceNet communication unit for EJ1	
		EJ1C-EDUA-NFLK	End unit for EJ1	Dimension of E5ZE and EJ1 are different. Terminal assignment is different.
E5ZE-8QA01P 24VDC	8loops temperature controller, Pt100, Voltage output (12V DC) RS232C	EJ1N-TC4A-QQ	4loops Temperature controller unit, Universal input, Voltage output (12V DC)	2 EJ1N-TC4A-QQ units are necessary for 8 loops. PLC. Dimension of E5ZE and EJ1 are different. Terminal assignment is different.
		EJ1N-HFUA-NFLK	RS232C/RS485 communication unit with ladder less communication	Communication protocol is different. E5ZE has Sysway Protocol. EJ1 has ladder less communication with Omron PLC and Mitsubishi PLC via HFU unit.
		EJ1C-EDUA-NFLK	End unit for EJ1	Dimension of E5ZE and EJ1 are different. Terminal assignment is different.

Product Discontinuation and recommended replacement

Discontinuation Model		Recommended Replacement Model		
Catalogue Number	Specification	Catalogue Number	Specification	Remarks
E5ZE-8AQA01PB 24VDC	8loops temperature controller, Pt100, Voltage output (12V DC) RS232C with case	EJ1N-TC4A-QQ	4loops Temperature controller unit, Universal input, Voltage output (12V DC)	2 EJ1N-TC4A-QQ units are necessary for 8 loops. PLC. Dimension of E5ZE and EJ1 are different. Terminal assignment is different.
		EJ1N-HFUA-NFLK	RS232C/RS485 communication unit with ladder less communication	Communication protocol is different. E5ZE has Sysway Protocol. EJ1 has ladder less communication with Omron PLC and Mitsubishi PLC via HFU unit.
		EJ1C-EDUA-NFLK	End unit for EJ1	Dimension of E5ZE and EJ1 are different. Terminal assignment is different.
E5ZE-8AQA01TC 24VDC	8loops temperature controller, Thermocouple, Voltage output (12V DC) RS232C	EJ1N-TC4A-QQ	4loops Temperature controller unit, Universal input, Voltage output (12V DC)	2 EJ1N-TC4A-QQ units are necessary for 8 loops. PLC. Dimension of E5ZE and EJ1 are different. Terminal assignment is different.
		EJ1N-HFUA-NFLK	RS232C/RS485 communication unit with ladder less communication	Communication protocol is different. E5ZE has Sysway Protocol. EJ1 has ladder less communication with Omron PLC and Mitsubishi PLC via HFU unit.
		EJ1C-EDUA-NFLK	End unit for EJ1	Dimension of E5ZE and EJ1 are different. Terminal assignment is different.
E5ZE-8AQA01TCB 24VDC	8loops temperature controller, Thermocouple, Voltage output (12V DC) RS232C with case	EJ1N-TC4A-QQ	4loops Temperature controller unit, Universal input, Voltage output (12V DC)	2 EJ1N-TC4A-QQ units are necessary for 8 loops. PLC. Dimension of E5ZE and EJ1 are different. Terminal assignment is different.
		EJ1N-HFUA-NFLK	RS232C/RS485 communication unit with ladder less communication	Communication protocol is different. E5ZE has Sysway Protocol. EJ1 has ladder less communication with Omron PLC and Mitsubishi PLC via HFU unit.
		EJ1C-EDUA-NFLK	End unit for EJ1	Dimension of E5ZE and EJ1 are different. Terminal assignment is different.
E5ZE-8AQA04P 24VDC	8loops temperature controller, Pt100, Voltage output (12V DC) RS422/485	EJ1N-TC4A-QQ	4loops Temperature controller unit, Universal input, Voltage output (12V DC)	2 EJ1N-TC4A-QQ units are necessary for 8 loops. PLC. Dimension of E5ZE and EJ1 are different. Terminal assignment is different.
		EJ1N-HFUA-NFLK(RS232C/RS485) Or EJ1N-HFUA-NFL2(RS422/RS485)	RS232C/RS485 communication unit with ladder less communication or RS422/RS485 communication unit with ladder less communication	Communication protocol is different. E5ZE has Sysway Protocol. EJ1 has ladder less communication with Omron PLC and Mitsubishi PLC via HFU unit.
		EJ1C-EDUA-NFLK	End unit for EJ1	Dimension of E5ZE and EJ1 are different. Terminal assignment is different.

Product Discontinuation and recommended replacement

Discontinuation Model		Recommended Replacement Model		
Catalogue Number	Specification	Catalogue Number	Specification	Remarks
E5ZE-8AQA04PB 24VDC	8loops temperature controller, Pt100, Voltage output (12V DC) RS422/485 with case	EJ1N-TC4A-QQ	4loops Temperature controller unit, Universal input, Voltage output (12V DC)	2 EJ1N-TC4A-QQ units are necessary for 8 loops. PLC. Dimension of E5ZE and EJ1 are different. Terminal assignment is different.
		EJ1N-HFUA-NFLK(RS232C/RS485) Or EJ1N-HFUA-NFL2(RS422/RS485)	RS232C/RS485 communication unit with ladder less communication or RS422/RS485 communication unit with ladder less communication	Communication protocol is different. E5ZE has Sysway Protocol. EJ1 has ladder less communication with Omron PLC and Mitsubishi PLC via HFU unit.
		EJ1C-EDUA-NFLK	End unit for EJ1	Dimension of E5ZE and EJ1 are different. Terminal assignment is different.
E5ZE-8AQA04TC 24VDC	8loops temperature controller, Thermocouple, Voltage output (12V DC) RS422/485	EJ1N-TC4A-QQ	4loops Temperature controller unit, Universal input, Voltage output (12V DC)	2 EJ1N-TC4A-QQ units are necessary for 8 loops. PLC. Dimension of E5ZE and EJ1 are different. Terminal assignment is different.
		EJ1N-HFUA-NFLK(RS232C/RS485) Or EJ1N-HFUA-NFL2(RS422/RS485)	RS232C/RS485 communication unit with ladder less communication or RS422/RS485 communication unit with ladder less communication	Communication protocol is different. E5ZE has Sysway Protocol. EJ1 has ladder less communication with Omron PLC and Mitsubishi PLC via HFU unit.
		EJ1C-EDUA-NFLK	End unit for EJ1	Dimension of E5ZE and EJ1 are different. Terminal assignment is different.
E5ZE-8AQA04TCB 24VDC	8loops temperature controller, Thermocouple, Voltage output (12V DC) RS422/485 with case	EJ1N-TC4A-QQ	4loops Temperature controller unit, Universal input, Voltage output (12V DC)	2 EJ1N-TC4A-QQ units are necessary for 8 loops. PLC. Dimension of E5ZE and EJ1 are different. Terminal assignment is different.
		EJ1N-HFUA-NFLK(RS232C/RS485) Or EJ1N-HFUA-NFL2(RS422/RS485)	RS232C/RS485 communication unit with ladder less communication or RS422/RS485 communication unit with ladder less communication	Communication protocol is different. E5ZE has Sysway Protocol. EJ1 has ladder less communication with Omron PLC and Mitsubishi PLC via HFU unit.
		EJ1C-EDUA-NFLK	End unit for EJ1	Dimension of E5ZE and EJ1 are different. Terminal assignment is different.
E5ZE-8AQAD1PB-V2 DC24V	8loops temperature controller, Pt100, Voltage output (12V DC), DeviceNet with case	EJ1N-TC4A-QQ	4loops Temperature controller unit, Universal input, Voltage output (12V DC)	2 EJ1N-TC4A-QQ units are necessary for 8 loops. PLC. Dimension of E5ZE and EJ1 are different. Terminal assignment is different.
		EJ1N-HFUB-DRT	DeviceNet communication unit for EJ1	
		EJ1C-EDUA-NFLK	End unit for EJ1	Dimension of E5ZE and EJ1 are different. Terminal assignment is different.

Product Discontinuation and recommended replacement

Discontinuation Model		Recommended Replacement Model		
Catalogue Number	Specification	Catalogue Number	Specification	Remarks
E5ZE-8AQAD1TCB -V2 DC24V	8loops temperature controller, Thermocouple, Voltage output (12V DC), DeviceNet with case	EJ1N-TC4A-QQ	4loops Temperature controller unit, Universal input, Voltage output (12V DC)	2 EJ1N-TC4A-QQ units are necessary for 8 loops. PLC. Dimension of E5ZE and EJ1 are different. Terminal assignment is different.
		EJ1N-HFUB-DRT	DeviceNet communication unit for EJ1	
		EJ1C-EDUA-NFLK	End unit for EJ1	Dimension of E5ZE and EJ1 are different. Terminal assignment is different.
E5ZE-8AQH01P 24VDC	8loops temperature controller, Pt100, HB detection, Voltage output (12V DC) RS232C	EJ1N-TC2A-QNHB	2 loops Temperature controller unit, Universal input, HB detection, Voltage output (12V DC)	4 EJ1N-TC2A-QNHB units are necessary for 8 loops. Dimension of E5ZE and EJ1 are different. Terminal assignment is different.
		EJ1N-HFUA-NFLK	RS232C/RS485 communication unit with ladder less communication	Communication protocol is different. E5ZE has Sysway Protocol. EJ1 has ladder less communication with Omron PLC and Mitsubishi PLC via HFU unit.
		EJ1C-EDUA-NFLK	End unit for EJ1	Dimension of E5ZE and EJ1 are different. Terminal assignment is different.
E5ZE-8AQH01PB 24VDC	8loops temperature controller, Pt100, HB detection, Voltage output (12V DC) RS232C with case	EJ1N-TC2A-QNHB	2 loops Temperature controller unit, Universal input, HB detection, Voltage output (12V DC)	4 EJ1N-TC2A-QNHB units are necessary for 8 loops. Dimension of E5ZE and EJ1 are different. Terminal assignment is different.
		EJ1N-HFUA-NFLK	RS232C/RS485 communication unit with ladder less communication	Communication protocol is different. E5ZE has Sysway Protocol. EJ1 has ladder less communication with Omron PLC and Mitsubishi PLC via HFU unit.
		EJ1C-EDUA-NFLK	End unit for EJ1	Dimension of E5ZE and EJ1 are different. Terminal assignment is different.
E5ZE-8AQH01TC 24VDC	8loops temperature controller, Thermocouple, HB detection, Voltage output (12V DC) RS232C	EJ1N-TC2A-QNHB	2 loops Temperature controller unit, Universal input, HB detection, Voltage output (12V DC)	4 EJ1N-TC2A-QNHB units are necessary for 8 loops. Dimension of E5ZE and EJ1 are different. Terminal assignment is different.
		EJ1N-HFUA-NFLK	RS232C/RS485 communication unit with ladder less communication	Communication protocol is different. E5ZE has Sysway Protocol. EJ1 has ladder less communication with Omron PLC and Mitsubishi PLC via HFU unit.
		EJ1C-EDUA-NFLK	End unit for EJ1	Dimension of E5ZE and EJ1 are different. Terminal assignment is different.

Product Discontinuation and recommended replacement

Discontinuation Model		Recommended Replacement Model		
Catalogue Number	Specification	Catalogue Number	Specification	Remarks
E5ZE-8AQH01TCB 24VDC	8loops temperature controller, Thermocouple, HB detection, Voltage output (12V DC) RS232C with case	EJ1N-TC2A-QNHB	2 loops Temperature controller unit, Universal input, HB detection, Voltage output (12V DC)	4 EJ1N-TC2A-QNHB units are necessary for 8 loops. Dimension of E5ZE and EJ1 are different. Terminal assignment is different.
		EJ1N-HFUA-NFLK	RS232C/RS485 communication unit with ladder less communication	Communication protocol is different. E5ZE has Sysway Protocol. EJ1 has ladder less communication with Omron PLC and Mitsubishi PLC via HFU unit.
		EJ1C-EDUA-NFLK	End unit for EJ1	Dimension of E5ZE and EJ1 are different. Terminal assignment is different.
E5ZE-8AQH04P 24VDC	8loops temperature controller, Pt100, HB detection, Voltage output (12V DC) RS422/485	EJ1N-TC2A-QNHB	2 loops Temperature controller unit, Universal input, HB detection, Voltage output (12V DC)	4 EJ1N-TC2A-QNHB units are necessary for 8 loops. Dimension of E5ZE and EJ1 are different. Terminal assignment is different.
		EJ1N-HFUA-NFLK(RS232C/RS485) Or EJ1N-HFUA-NFL2(RS422/RS485)	RS232C/RS485 communication unit with ladder less communication or RS422/RS485 communication unit with ladder less communication	Communication protocol is different. E5ZE has Sysway Protocol. EJ1 has ladder less communication with Omron PLC and Mitsubishi PLC via HFU unit.
		EJ1C-EDUA-NFLK	End unit for EJ1	Dimension of E5ZE and EJ1 are different. Terminal assignment is different.
E5ZE-8AQH04PB 24VDC	8loops temperature controller, Pt100, HB detection, Voltage output (12V DC) RS422/485 with case	EJ1N-TC2A-QNHB	2 loops Temperature controller unit, Universal input, HB detection, Voltage output (12V DC)	4 EJ1N-TC2A-QNHB units are necessary for 8 loops. Dimension of E5ZE and EJ1 are different. Terminal assignment is different.
		EJ1N-HFUA-NFLK(RS232C/RS485) Or EJ1N-HFUA-NFL2(RS422/RS485)	RS232C/RS485 communication unit with ladder less communication or RS422/RS485 communication unit with ladder less communication	Communication protocol is different. E5ZE has Sysway Protocol. EJ1 has ladder less communication with Omron PLC and Mitsubishi PLC via HFU unit.
		EJ1C-EDUA-NFLK	End unit for EJ1	Dimension of E5ZE and EJ1 are different. Terminal assignment is different.
E5ZE-8AQH04TC 24VDC	8loops temperature controller, Thermocouple, HB detection, Voltage output (12V DC) RS422/485	EJ1N-TC2A-QNHB	2 loops Temperature controller unit, Universal input, HB detection, Voltage output (12V DC)	4 EJ1N-TC2A-QNHB units are necessary for 8 loops. Dimension of E5ZE and EJ1 are different. Terminal assignment is different.
		EJ1N-HFUA-NFLK(RS232C/RS485) Or EJ1N-HFUA-NFL2(RS422/RS485)	RS232C/RS485 communication unit with ladder less communication or RS422/RS485 communication unit with ladder less communication	Communication protocol is different. E5ZE has Sysway Protocol. EJ1 has ladder less communication with Omron PLC and Mitsubishi PLC via HFU unit.
		EJ1C-EDUA-NFLK	End unit for EJ1	Dimension of E5ZE and EJ1 are different. Terminal assignment is different.

Product Discontinuation and recommended replacement

Discontinuation Model		Recommended Replacement Model		
Catalogue Number	Specification	Catalogue Number	Specification	Remarks
E5ZE-8AQH04TCB 24VDC	8loops temperature controller, Thermocouple, HB detection, Voltage output (12V DC), RS422/485 with case	EJ1N-TC2A-QNHB	2 loops Temperature controller unit, Universal input, HB detection, Voltage output (12V DC)	4 EJ1N-TC2A-QNHB units are necessary for 8 loops. Dimension of E5ZE and EJ1 are different. Terminal assignment is different.
		EJ1N-HFUA-NFLK(RS232C/RS485) Or EJ1N-HFUA-NFL2(RS422/RS485)	RS232C/RS485 communication unit with ladder less communication or RS422/RS485 communication unit with ladder less communication	Communication protocol is different. E5ZE has Sysway Protocol. EJ1 has ladder less communication with Omron PLC and Mitsubishi PLC via HFU unit.
		EJ1C-EDUA-NFLK	End unit for EJ1	Dimension of E5ZE and EJ1 are different. Terminal assignment is different.
E5ZE-8AQHD1PB-V2 DC24V	8loops temperature controller, Pt100, HB detection, Voltage output (12V DC), DeviceNet with case	EJ1N-TC2A-QNHB	2 loops Temperature controller unit, Universal input, HB detection, Voltage output (12V DC)	4 EJ1N-TC2A-QNHB units are necessary for 8 loops. Dimension of E5ZE and EJ1 are different. Terminal assignment is different.
		EJ1N-HFUB-DRT	DeviceNet communication unit for EJ1	
		EJ1C-EDUA-NFLK	End unit for EJ1	Dimension of E5ZE and EJ1 are different. Terminal assignment is different.
E5ZE-8AQHD1TCB-V2 DC24V	8loops temperature controller, Thermocouple, HB detection, Voltage output (12V DC), DeviceNet with case	EJ1N-TC2A-QNHB	2 loops Temperature controller unit, Universal input, HB detection, Voltage output (12V DC)	4 EJ1N-TC2A-QNHB units are necessary for 8 loops. Dimension of E5ZE and EJ1 are different. Terminal assignment is different.
		EJ1N-HFUB-DRT	DeviceNet communication unit for EJ1	
		EJ1C-EDUA-NFLK	End unit for EJ1	Dimension of E5ZE and EJ1 are different. Terminal assignment is different.
E5ZE-8VCA01P 24VDC	8loops temperature controller, Pt100, Heat & Cool control, current output (4-20 mA) RS232C	EJ1N-TC2A-CNB	2loops Temperature controller unit, Universal input, Current output (4-20mA)	4 EJ1N-TC2A-CNB units are necessary for 8 loops. Dimension of E5ZE and EJ1 are different. Terminal assignment is different.
		EJ1N-HFUA-NFLK	RS232C/RS485 communication unit with ladder less communication	Communication protocol is different. E5ZE has Sysway Protocol. EJ1 has ladder less communication with Omron PLC and Mitsubishi PLC via HFU unit.
		EJ1C-EDUA-NFLK	End unit for EJ1	Dimension of E5ZE and EJ1 are different. Terminal assignment is different.

Product Discontinuation and recommended replacement

Discontinuation Model		Recommended Replacement Model		
Catalogue Number	Specification	Catalogue Number	Specification	Remarks
E5ZE-8VCA01PB 24VDC	8loops temperature controller, Pt100, Heat & Cool control, current output (4-20mA), RS232C with case	EJ1N-TC2A-CNB	2loops Temperature controller unit, Universal input, Current output (4-20mA)	4 EJ1N-TC2A-CNB units are necessary for 8 loops. Dimension of E5ZE and EJ1 are different. Terminal assignment is different.
		EJ1N-HFUA-NFLK	RS232C/RS485 communication unit with ladder less communication	Communication protocol is different. E5ZE has Sysway Protocol. EJ1 has ladder less communication with Omron PLC and Mitsubishi PLC via HFU unit.
		EJ1C-EDUA-NFLK	End unit for EJ1	Dimension of E5ZE and EJ1 are different. Terminal assignment is different.
E5ZE-8VCA01TC 24VDC	8loops temperature controller, Thermocouple, Heat & Cool control, current output (4-20mA), RS232C	EJ1N-TC2A-CNB	2loops Temperature controller unit, Universal input, Current output (4-20mA)	4 EJ1N-TC2A-CNB units are necessary for 8 loops. Dimension of E5ZE and EJ1 are different. Terminal assignment is different.
		EJ1N-HFUA-NFLK	RS232C/RS485 communication unit with ladder less communication	Communication protocol is different. E5ZE has Sysway Protocol. EJ1 has ladder less communication with Omron PLC and Mitsubishi PLC via HFU unit.
		EJ1C-EDUA-NFLK	End unit for EJ1	Dimension of E5ZE and EJ1 are different. Terminal assignment is different.
E5ZE-8VCA01TCB 24VDC	8loops temperature controller, Thermocouple, Heat & Cool control, current output (4-20mA), RS232C with case	EJ1N-TC2A-CNB	2loops Temperature controller unit, Universal input, Current output (4-20mA)	4 EJ1N-TC2A-CNB units are necessary for 8 loops. Dimension of E5ZE and EJ1 are different. Terminal assignment is different.
		EJ1N-HFUA-NFLK	RS232C/RS485 communication unit with ladder less communication	Communication protocol is different. E5ZE has Sysway Protocol. EJ1 has ladder less communication with Omron PLC and Mitsubishi PLC via HFU unit.
		EJ1C-EDUA-NFLK	End unit for EJ1	Dimension of E5ZE and EJ1 are different. Terminal assignment is different.
E5ZE-8VCA04P 24VDC	8loops temperature controller, Pt100, Heat & Cool control, current output (4-20mA), RS422/RS485	EJ1N-TC2A-CNB	2loops Temperature controller unit, Universal input, Current output (4-20mA)	4 EJ1N-TC2A-CNB units are necessary for 8 loops. Dimension of E5ZE and EJ1 are different. Terminal assignment is different.
		EJ1N-HFUA-NFLK(RS232C/RS485) Or EJ1N-HFUA-NFL2(RS422/RS485)	RS232C/RS485 communication unit with ladder less communication or RS422/RS485 communication unit with ladder less communication	Communication protocol is different. E5ZE has Sysway Protocol. EJ1 has ladder less communication with Omron PLC and Mitsubishi PLC via HFU unit.
		EJ1C-EDUA-NFLK	End unit for EJ1	Dimension of E5ZE and EJ1 are different. Terminal assignment is different.

Product Discontinuation and recommended replacement

Discontinuation Model		Recommended Replacement Model		
Catalogue Number	Specification	Catalogue Number	Specification	Remarks
E5ZE-8VCA04PB 24VDC	8loops temperature controller, Pt100, Heat & Cool control, current output (4-20mA), RS422/RS485 with case	EJ1N-TC2A-CNB	2loops Temperature controller unit, Universal input, Current output (4-20mA)	4 EJ1N-TC2A-CNB units are necessary for 8 loops. Dimension of E5ZE and EJ1 are different. Terminal assignment is different.
		EJ1N-HFUA-NFLK(RS232C/RS485) Or EJ1N-HFUA-NFL2(RS422/RS485)	RS232C/RS485 communication unit with ladder less communication or RS422/RS485 communication unit with ladder less communication	Communication protocol is different. E5ZE has Sysway Protocol. EJ1 has ladder less communication with Omron PLC and Mitsubishi PLC via HFU unit.
		EJ1C-EDUA-NFLK	End unit for EJ1	Dimension of E5ZE and EJ1 are different. Terminal assignment is different.
E5ZE-8VCA04TC 24VDC	8loops temperature controller, Thermocouple, Heat & Cool control, current output (4-20mA), RS22/RS485	EJ1N-TC2A-CNB	2loops Temperature controller unit, Universal input, Current output (4-20mA)	4 EJ1N-TC2A-CNB units are necessary for 8 loops. Dimension of E5ZE and EJ1 are different. Terminal assignment is different.
		EJ1N-HFUA-NFLK(RS232C/RS485) Or EJ1N-HFUA-NFL2(RS422/RS485)	RS232C/RS485 communication unit with ladder less communication or RS422/RS485 communication unit with ladder less communication	Communication protocol is different. E5ZE has Sysway Protocol. EJ1 has ladder less communication with Omron PLC and Mitsubishi PLC via HFU unit.
		EJ1C-EDUA-NFLK	End unit for EJ1	Dimension of E5ZE and EJ1 are different. Terminal assignment is different.
E5ZE-8VCA04TCB 24VDC	8loops temperature controller, Thermocouple, Heat & Cool control, current output (4-20mA), RS22/RS485 with case	EJ1N-TC2A-CNB	2loops Temperature controller unit, Universal input, Current output (4-20mA)	4 EJ1N-TC2A-CNB units are necessary for 8 loops. Dimension of E5ZE and EJ1 are different. Terminal assignments is different.
		EJ1N-HFUA-NFLK(RS232C/RS485) Or EJ1N-HFUA-NFL2(RS422/RS485)	RS232C/RS485 communication unit with ladder less communication or RS422/RS485 communication unit with ladder less communication	Communication protocol is different. E5ZE has Sysway Protocol. EJ1 has ladder less communication with Omron PLC and Mitsubishi PLC via HFU unit.
		EJ1C-EDUA-NFLK	End unit for EJ1	Dimension of E5ZE and EJ1 are different. Terminal assignment is different.
E5ZE-8VCAD1PB-V2 DC24V	8loops temperature controller, Pt100, Heat & Cool control, current output (4-20mA), DeviceNet with case	EJ1N-TC2A-CNB	2loops Temperature controller unit, Universal input, Current output (4-20mA)	4 EJ1N-TC2A-CNB units are necessary for 8 loops. Dimension of E5ZE and EJ1 are different. Terminal assignment is different.
		EJ1N-HFUB-DRT	DeviceNet communication unit for EJ1	
		EJ1C-EDUA-NFLK	End unit for EJ1	Dimension of E5ZE and EJ1 are different. Terminal assignment is different.

Product Discontinuation and recommended replacement

Discontinuation Model		Recommended Replacement Model		
Catalogue Number	Specification	Catalogue Number	Specification	Remarks
E5ZE-8VCAD1TCB -V2 DC24V	8loops temperature controller, Thermocouple, Heat & Cool control, current output (4-20mA), DeviceNet with case	EJ1N-TC2A-CNB	2loops Temperature controller unit, Universal input, Current output (4-20mA)	4 EJ1N-TC2A-CNB units are necessary for 8 loops. Dimension of E5ZE and EJ1 are different. Terminal assignment is different.
		EJ1N-HFUB-DRT	DeviceNet communication unit for EJ1	
		EJ1C-EDUA-NFLK	End unit for EJ1	Dimension of E5ZE and EJ1 are different. Terminal assignment is different.
E5ZE-8VQA01P 24VDC	8loops temperature controller, Pt100, Heat & Cool control, Voltage output (12V DC) RS232C	EJ1N-TC2A-QNHB	2 loops Temperature controller unit, Universal input, HB detection, Voltage output (12V DC)	4 EJ1N-TC2A-QNHB units are necessary for 8 loops. Dimension of E5ZE and EJ1 are different. Terminal assignment is different.
		EJ1N-HFUA-NFLK	RS232C/RS485 communication unit with ladder less communication	Communication protocol is different. E5ZE has Sysway Protocol. EJ1 has ladder less communication with Omron PLC and Mitsubishi PLC via HFU unit.
		EJ1C-EDUA-NFLK	End unit for EJ1	Dimension of E5ZE and EJ1 are different. Terminal assignment is different.
E5ZE-8VQA01TC 24VDC	8loops temperature controller, Thermocouple, Heat & Cool control, Voltage output (12V DC) RS232C	EJ1N-TC2A-QNHB	2 loops Temperature controller unit, Universal input, HB detection, Voltage output (12V DC)	4 EJ1N-TC2A-QNHB units are necessary for 8 loops. Dimension of E5ZE and EJ1 are different. Terminal assignment is different.
		EJ1N-HFUA-NFLK	RS232C/RS485 communication unit with ladder less communication	Communication protocol is different. E5ZE has Sysway Protocol. EJ1 has ladder less communication with Omron PLC and Mitsubishi PLC via HFU unit.
		EJ1C-EDUA-NFLK	End unit for EJ1	Dimension of E5ZE and EJ1 are different. Terminal assignment is different.
E5ZE-8VQA04P 24VDC	8loops temperature controller, Pt100, Heat & Cool control, Voltage output (12V DC) RS422/485	EJ1N-TC2A-QNHB	2 loops Temperature controller unit, Universal input, HB detection, Voltage output (12V DC)	4 EJ1N-TC2A-QNHB units are necessary for 8 loops. Dimension of E5ZE and EJ1 are different. Terminal assignment is different.
		EJ1N-HFUA-NFLK(RS232C/RS485) Or EJ1N-HFUA-NFL2(RS422/RS485)	RS232C/RS485 communication unit with ladder less communication or RS422/RS485 communication unit with ladder less communication	Communication protocol is different. E5ZE has Sysway Protocol. EJ1 has ladder less communication with Omron PLC and Mitsubishi PLC via HFU unit.
		EJ1C-EDUA-NFLK	End unit for EJ1	Dimension of E5ZE and EJ1 are different. Terminal assignment is different.

Product Discontinuation and recommended replacement

Discontinuation Model		Recommended Replacement Model		
Catalogue Number	Specification	Catalogue Number	Specification	Remarks
E5ZE-8VQA04TC 24VDC	8loops temperature controller, Thermocouple, Heat & Cool control, Voltage output (12V DC) RS422/485	EJ1N-TC2A-QNHB	2 loops Temperature controller unit, Universal input, HB detection, Voltage output (12V DC)	4 EJ1N-TC2A-QNHB units are necessary for 8 loops. Dimension of E5ZE and EJ1 are different. Terminal assignment is different.
		EJ1N-HFUA-NFLK(RS232C/RS485) Or EJ1N-HFUA-NFL2(RS422/RS485)	RS232C/RS485 communication unit with ladder less communication or RS422/RS485 communication unit with ladder less communication	Communication protocol is different. E5ZE has Sysway Protocol. EJ1 has ladder less communication with Omron PLC and Mitsubishi PLC via HFU unit.
		EJ1C-EDUA-NFLK	End unit for EJ1	Dimension of E5ZE and EJ1 are different. Terminal assignment is different.
E5ZE-8VQA04TCB 24VDC	8loops temperature controller, Thermocouple, Heat & Cool control, Voltage output (12V DC) RS422/485 with case	EJ1N-TC2A-QNHB	2 loops Temperature controller unit, Universal input, HB detection, Voltage output (12V DC)	4 EJ1N-TC2A-QNHB units are necessary for 8 loops. Dimension of E5ZE and EJ1 are different. Terminal assignment is different.
		EJ1N-HFUA-NFLK(RS232C/RS485) Or EJ1N-HFUA-NFL2(RS422/RS485)	RS232C/RS485 communication unit with ladder less communication or RS422/RS485 communication unit with ladder less communication	Communication protocol is different. E5ZE has Sysway Protocol. EJ1 has ladder less communication with Omron PLC and Mitsubishi PLC via HFU unit.
		EJ1C-EDUA-NFLK	End unit for EJ1	Dimension of E5ZE and EJ1 are different. Terminal assignment is different.
E5ZE-8VQAD1PB-V2 DC24V	8loops temperature controller, Pt100, Heat & Cool control, Voltage output (12V DC) DeviceNet with case	EJ1N-TC2A-QNHB	2 loops Temperature controller unit, Universal input, HB detection, Voltage output (12V DC)	4 EJ1N-TC2A-QNHB units are necessary for 8 loops. Dimension of E5ZE and EJ1 are different. Terminal assignment is different.
		EJ1N-HFUB-DRT	DeviceNet communication unit for EJ1	
		EJ1C-EDUA-NFLK	End unit for EJ1	Dimension of E5ZE and EJ1 are different. Terminal assignment is different.
E5ZE-8VQAD1TCB-V2 DC24V	8loops temperature controller, Thermocouple, Heat & Cool control, Voltage output (12V DC) DeviceNet with case	EJ1N-TC2A-QNHB	2 loops Temperature controller unit, Universal input, HB detection, Voltage output (12V DC)	4 EJ1N-TC2A-QNHB units are necessary for 8 loops. Dimension of E5ZE and EJ1 are different. Terminal assignment is different.
		EJ1N-HFUB-DRT	DeviceNet communication unit for EJ1	
		EJ1C-EDUA-NFLK	End unit for EJ1	Dimension of E5ZE and EJ1 are different. Terminal assignment is different.

Product Discontinuation and recommended replacement

Discontinuation Model		Recommended Replacement Model		
Catalogue Number	Specification	Catalogue Number	Specification	Remarks
E5ZE-8VQH01P 24VDC	8loops temperature controller, Pt100, Heat & Cool control, HB detection, Voltage output (12V DC) RS232C	EJ1N-TC2A-QNHB	2 loops Temperature controller unit, Universal input, HB detection, Voltage output (12V DC)	4 EJ1N-TC2A-QNHB units are necessary for 8 loops. Dimension of E5ZE and EJ1 are different. Terminal assignment is different.
		EJ1N-HFUA-NFLK	RS232C/RS485 communication unit with ladder less communication	Communication protocol is different. E5ZE has Sysway Protocol. EJ1 has ladder less communication with Omron PLC and Mitsubishi PLC via HFU unit.
		EJ1C-EDUA-NFLK	End unit for EJ1	Dimension of E5ZE and EJ1 are different. Terminal assignment is different.
E5ZE-8VQH01PB 24VDC	8loops temperature controller, Pt100, Heat & Cool control, HB detection, Voltage output (12V DC) RS232C with case	EJ1N-TC2A-QNHB	2 loops Temperature controller unit, Universal input, HB detection, Voltage output (12V DC)	4 EJ1N-TC2A-QNHB units are necessary for 8 loops. Dimension of E5ZE and EJ1 are different. Terminal assignment is different.
		EJ1N-HFUA-NFLK	RS232C/RS485 communication unit with ladder less communication	Communication protocol is different. E5ZE has Sysway Protocol. EJ1 has ladder less communication with Omron PLC and Mitsubishi PLC via HFU unit.
		EJ1C-EDUA-NFLK	End unit for EJ1	Dimension of E5ZE and EJ1 are different. Terminal assignment is different.
E5ZE-8VQH01TC 24VDC	8loops temperature controller, Thermocouple, Heat & Cool control, HB detection, Voltage output (12V DC) RS232C	EJ1N-TC2A-QNHB	2 loops Temperature controller unit, Universal input, HB detection, Voltage output (12V DC)	4 EJ1N-TC2A-QNHB units are necessary for 8 loops. Dimension of E5ZE and EJ1 are different. Terminal assignment is different.
		EJ1N-HFUA-NFLK	RS232C/RS485 communication unit with ladder less communication	Communication protocol is different. E5ZE has Sysway Protocol. EJ1 has ladder less communication with Omron PLC and Mitsubishi PLC via HFU unit.
		EJ1C-EDUA-NFLK	End unit for EJ1	Dimension of E5ZE and EJ1 are different. Terminal assignment is different.
E5ZE-8VQH01TCB 24VDC	8loops temperature controller, Thermocouple, Heat & Cool control, HB detection, Voltage output (12V DC) RS232C with case	EJ1N-TC2A-QNHB	2 loops Temperature controller unit, Universal input, HB detection, Voltage output (12V DC)	4 EJ1N-TC2A-QNHB units are necessary for 8 loops. Dimension of E5ZE and EJ1 are different. Terminal assignment is different.
		EJ1N-HFUA-NFLK	RS232C/RS485 communication unit with ladder less communication	Communication protocol is different. E5ZE has Sysway Protocol. EJ1 has ladder less communication with Omron PLC and Mitsubishi PLC via HFU unit.
		EJ1C-EDUA-NFLK	End unit for EJ1	Dimension of E5ZE and EJ1 are different. Terminal assignment is different.

Product Discontinuation and recommended replacement

Discontinuation Model		Recommended Replacement Model		
Catalogue Number	Specification	Catalogue Number	Specification	Remarks
E5ZE-8VQH04P 24VDC	8loops temperature controller, Pt100, Heat & Cool control, HB detection, Voltage output (12V DC) RS422/485	EJ1N-TC2A-QNHB	2 loops Temperature controller unit, Universal input, HB detection, Voltage output (12V DC)	4 EJ1N-TC2A-QNHB units are necessary for 8 loops. Dimension of E5ZE and EJ1 are different. Terminal assignment is different.
		EJ1N-HFUA-NFLK(RS232C/RS485) Or EJ1N-HFUA-NFL2(RS422/RS485)	RS232C/RS485 communication unit with ladder less communication or RS422/RS485 communication unit with ladder less communication	Communication protocol is different. E5ZE has Sysway Protocol. EJ1 has ladder less communication with Omron PLC and Mitsubishi PLC via HFU unit.
		EJ1C-EDUA-NFLK	End unit for EJ1	Dimension of E5ZE and EJ1 are different. Terminal assignment is different.
E5ZE-8VQH04PB 24VDC	8loops temperature controller, Pt100, Heat & Cool control, HB detection, Voltage output (12V DC) RS422/485 with case	EJ1N-TC2A-QNHB	2 loops Temperature controller unit, Universal input, HB detection, Voltage output (12V DC)	4 EJ1N-TC2A-QNHB units are necessary for 8 loops. Dimension of E5ZE and EJ1 are different. Terminal assignment is different.
		EJ1N-HFUA-NFLK(RS232C/RS485) Or EJ1N-HFUA-NFL2(RS422/RS485)	RS232C/RS485 communication unit with ladder less communication or RS422/RS485 communication unit with ladder less communication	Communication protocol is different. E5ZE has Sysway Protocol. EJ1 has ladder less communication with Omron PLC and Mitsubishi PLC via HFU unit.
		EJ1C-EDUA-NFLK	End unit for EJ1	Dimension of E5ZE and EJ1 are different. Terminal assignment is different.
E5ZE-8VQH04PB-E-102 24VDC	8loops temperature controller, Pt100, Heat & Cool control, HB detection, Voltage output (12V DC) RS422/485 with case	EJ1N-TC2A-QNHB	2 loops Temperature controller unit, Universal input, HB detection, Voltage output (12V DC)	4 EJ1N-TC2A-QNHB units are necessary for 8 loops. Dimension of E5ZE and EJ1 are different. Terminal assignment is different.
		EJ1N-HFUA-NFLK(RS232C/RS485) Or EJ1N-HFUA-NFL2(RS422/RS485)	RS232C/RS485 communication unit with ladder less communication or RS422/RS485 communication unit with ladder less communication	Communication protocol is different. E5ZE has Sysway Protocol. EJ1 has ladder less communication with Omron PLC and Mitsubishi PLC via HFU unit.
		EJ1C-EDUA-NFLK	End unit for EJ1	Dimension of E5ZE and EJ1 are different. Terminal assignment is different.
E5ZE-8VQH04TC 24VDC	8loops temperature controller, Thermocouple, Heat & Cool control, HB detection, Voltage output (12V DC) RS422/485	EJ1N-TC2A-QNHB	2 loops Temperature controller unit, Universal input, HB detection, Voltage output (12V DC)	4 EJ1N-TC2A-QNHB units are necessary for 8 loops. Dimension of E5ZE and EJ1 are different. Terminal assignment is different.
		EJ1N-HFUA-NFLK(RS232C/RS485) Or EJ1N-HFUA-NFL2(RS422/RS485)	RS232C/RS485 communication unit with ladder less communication or RS422/RS485 communication unit with ladder less communication	Communication protocol is different. E5ZE has Sysway Protocol. EJ1 has ladder less communication with Omron PLC and Mitsubishi PLC via HFU unit.
		EJ1C-EDUA-NFLK	End unit for EJ1	Dimension of E5ZE and EJ1 are different. Terminal assignment is different.

Product Discontinuation and recommended replacement

Discontinuation Model		Recommended Replacement Model		
Catalogue Number	Specification	Catalogue Number	Specification	Remarks
E5ZE-8VQH04TCB 24VDC	8loops temperature controller, Thermocouple, Heat & Cool control, HB detection, Voltage output (12V DC) RS422/485 with case	EJ1N-TC2A-QNHB	2 loops Temperature controller unit, Universal input, HB detection, Voltage output (12V DC)	4 EJ1N-TC2A-QNHB units are necessary for 8 loops. Dimension of E5ZE and EJ1 are different. Terminal assignment is different.
		EJ1N-HFUA-NFLK(RS232C/RS485) Or EJ1N-HFUA-NFL2(RS422/RS485)	RS232C/RS485 communication unit with ladder less communication or RS422/RS485 communication unit with ladder less communication	Communication protocol is different. E5ZE has Sysway Protocol. EJ1 has ladder less communication with Omron PLC and Mitsubishi PLC via HFU unit.
		EJ1C-EDUA-NFLK	End unit for EJ1	Dimension of E5ZE and EJ1 are different. Terminal assignment is different.
E5ZE-8VQH04TCB -E-102 24VDC	8loops temperature controller, Thermocouple, Heat & Cool control, HB detection, Voltage output (12V DC) RS422/485 with case	EJ1N-TC2A-QNHB	2 loops Temperature controller unit, Universal input, HB detection, Voltage output (12V DC)	4 EJ1N-TC2A-QNHB units are necessary for 8 loops. Dimension of E5ZE and EJ1 are different. Terminal assignment is different.
		EJ1N-HFUA-NFLK(RS232C/RS485) Or EJ1N-HFUA-NFL2(RS422/RS485)	RS232C/RS485 communication unit with ladder less communication or RS422/RS485 communication unit with ladder less communication	Communication protocol is different. E5ZE has Sysway Protocol. EJ1 has ladder less communication with Omron PLC and Mitsubishi PLC via HFU unit.
		EJ1C-EDUA-NFLK	End unit for EJ1	Dimension of E5ZE and EJ1 are different. Terminal assignment is different.
E5ZE-8VQHD1PB-V2 DC24V	8loops temperature controller, Pt100, Heat & Cool control, HB detection, Voltage output (12V DC) DeviceNet with case	EJ1N-TC2A-QNHB	2 loops Temperature controller unit, Universal input, HB detection, Voltage output (12V DC)	4 EJ1N-TC2A-QNHB units are necessary for 8 loops. Dimension of E5ZE and EJ1 are different. Terminal assignment is different.
		EJ1N-HFUB-DRT	DeviceNet communication unit for EJ1	
		EJ1C-EDUA-NFLK	End unit for EJ1	Dimension of E5ZE and EJ1 are different. Terminal assignment is different.
E5ZE-8VQHD1TCB-V2 DC24V	8loops temperature controller, Thermocouple, Heat & Cool control, HB detection, Voltage output (12V DC) DeviceNet with case	EJ1N-TC2A-QNHB	2 loops Temperature controller unit, Universal input, HB detection, Voltage output (12V DC)	4 EJ1N-TC2A-QNHB units are necessary for 8 loops. Dimension of E5ZE and EJ1 are different. Terminal assignment is different.
		EJ1N-HFUB-DRT	DeviceNet communication unit for EJ1	
		EJ1C-EDUA-NFLK	End unit for EJ1	Dimension of E5ZE and EJ1 are different. Terminal assignment is different.

Product Discontinuation and recommended replacement

Discontinuation Model		Recommended Replacement Model		
Catalogue Number	Specification	Catalogue Number	Specification	Remarks
E5ZE-8AAAMPB-E	8loops temperature controller, Pt100, with case, no option board	EJ1N-TC4A-QQ Or EJ1N-TC2A-QNHB Or EJ1N-TC2A-CNB	It depends on option board of E5ZE that which EJ1N-TC will be selected.	2 EJ1N-TC4A-QQ units are necessary for 8 loops. 4 EJ1N-TC2A units are necessary for 8 loops. Dimension of E5ZE and EJ1 are different. Terminal assignment is different. This E5ZE is for Non Japanese market.
		EJ1C-EDUA-NFLK	End unit for EJ1with RS485 communication (Modbus/Compo Way F)	Dimension of E5ZE and EJ1 are different. Terminal assignment is different. Communication protocol is different from E5ZE.
E5ZE-8AAAMP-E	8loops temperature controller, Pt100, no option board	EJ1N-TC4A-QQ Or EJ1N-TC2A-QNHB Or EJ1N-TC2A-CNB	It depends on option board of E5ZE that which EJ1N-TC will be selected.	2 EJ1N-TC4A-QQ units are necessary for 8 loops. 4 EJ1N-TC2A units are necessary for 8 loops. Dimension of E5ZE and EJ1 are different. Terminal assignment is different. This E5ZE is for Non Japanese market.
		EJ1C-EDUA-NFLK	End unit for EJ1with RS485 communication (Modbus/Compo Way F)	Dimension of E5ZE and EJ1 are different. Terminal assignment is different. Communication protocol is different from E5ZE.
E5ZE-8AAAMTCB-E	8loops temperature controller, Thermocouple, no option board, with case	EJ1N-TC4A-QQ Or EJ1N-TC2A-QNHB Or EJ1N-TC2A-CNB	It depends on option board of E5ZE that which EJ1N-TC will be selected.	2 EJ1N-TC4A-QQ units are necessary for 8 loops. 4 EJ1N-TC2A units are necessary for 8 loops. Dimension of E5ZE and EJ1 are different. Terminal assignment is different. This E5ZE is for Non Japanese market.
		EJ1C-EDUA-NFLK	End unit for EJ1with RS485 communication (Modbus/Compo Way F)	Dimension of E5ZE and EJ1 are different. Terminal assignment is different. Communication protocol is different from E5ZE.
E5ZE-8AAAMTC-E	8loops temperature controller, Thermocouple, no option board	EJ1N-TC4A-QQ Or EJ1N-TC2A-QNHB Or EJ1N-TC2A-CNB	It depends on option board of E5ZE that which EJ1N-TC will be selected.	2 EJ1N-TC4A-QQ units are necessary for 8 loops. 4 EJ1N-TC2A units are necessary for 8 loops. Dimension of E5ZE and EJ1 are different. Terminal assignment is different. This E5ZE is for Non Japanese market.
		EJ1C-EDUA-NFLK	End unit for EJ1with RS485 communication (Modbus/Compo Way F)	Dimension of E5ZE and EJ1 are different. Terminal assignment is different. Communication protocol is different from E5ZE.

Product Discontinuation and recommended replacement

Discontinuation Model		Recommended Replacement Model		
Catalogue Number	Specification	Catalogue Number	Specification	Remarks
E5ZE-8VAAMPB-E	8loops temperature controller, Thermocouple, Heat & Cool control, no option board, with case	EJ1N-TC2A-QNHB Or EJ1N-TC2A-CNB	It depends on option board of E5ZE that which EJ1N-TC will be selected.	4 EJ1N-TC2A units are necessary for 8 loops. Dimension of E5ZE and EJ1 are different. Terminal assignment is different. This E5ZE is a unit for Non-Japanese market.
		EJ1C-EDUA-NFLK	End unit for EJ1with RS485 communication (Modbus/Compo Way F)	Dimension of E5ZE and EJ1 are different. Terminal assignment is different. Communication protocol is different from E5ZE.
E5ZE-8VAAMP-E	8loops temperature controller, Pt100, Heat & Cool control, with case, no option board	EJ1N-TC2A-QNHB Or EJ1N-TC2A-CNB	It depends on option board of E5ZE that which EJ1N-TC will be selected.	4 EJ1N-TC2A units are necessary for 8 loops. Dimension of E5ZE and EJ1 are different. Terminal assignment is different. This E5ZE is a unit for Non-Japanese market.
		EJ1C-EDUA-NFLK	End unit for EJ1with RS485 communication (Modbus/Compo Way F)	Dimension of E5ZE and EJ1 are different. Terminal assignment is different. Communication protocol is different from E5ZE.
E5ZE-8VAAMTCB-E	8loops temperature controller, Thermocouple, Heat & Cool control, no option board, with case	EJ1N-TC2A-QNHB Or EJ1N-TC2A-CNB	It depends on option board of E5ZE that which EJ1N-TC will be selected.	4 EJ1N-TC2A units are necessary for 8 loops. Dimension of E5ZE and EJ1 are different. Terminal assignment is different. This E5ZE is a unit for Non-Japanese market.
		EJ1C-EDUA-NFLK	End unit for EJ1with RS485 communication (Modbus/Compo Way F)	Dimension of E5ZE and EJ1 are different. Terminal assignment is different. Communication protocol is different from E5ZE.
E5ZE-8VAAMTC-E	8loops temperature controller, Thermocouple, Heat & Cool control, no option board	EJ1N-TC2A-QNHB Or EJ1N-TC2A-CNB	It depends on option board of E5ZE that which EJ1N-TC will be selected.	4 EJ1N-TC2A units are necessary for 8 loops. Dimension of E5ZE and EJ1 are different. Terminal assignment is different. This E5ZE is a unit for Non-Japanese market.
		EJ1C-EDUA-NFLK	End unit for EJ1with RS485 communication (Modbus/Comp Way F)	Dimension of E5ZE and EJ1 are different. Terminal assignment is different. Communication protocol is different from E5ZE.

Notes: Recommendable EJ1N-TC unit for E5ZE-8AAAM[] or E5ZE-8VAAM[] depends on option board such as E53-E8Q/ E53-E8C/ E53-E8CT/ E53-E01/ E53-E04.

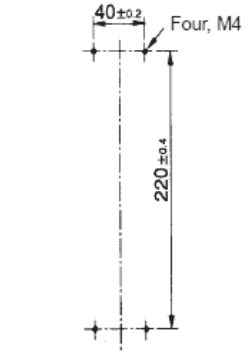
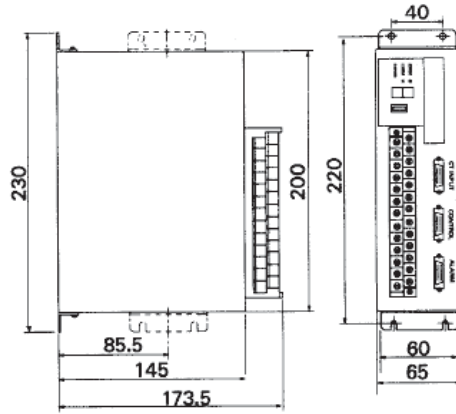
Dimensions

Product discontinuation E5ZE series

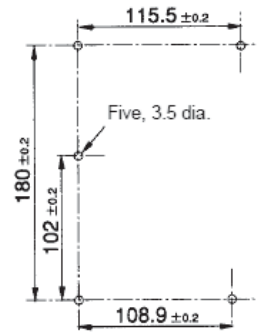
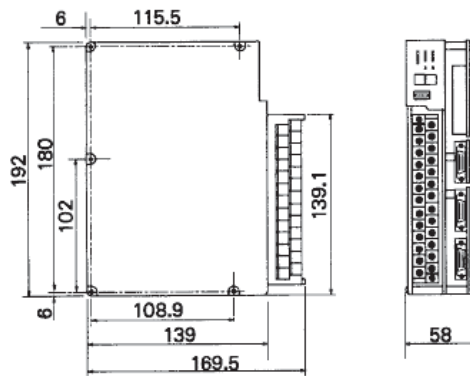
Unit: mm

Mounting Hole Dimensions

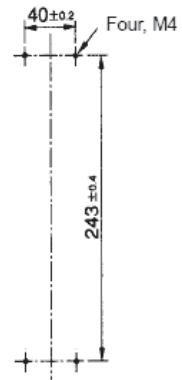
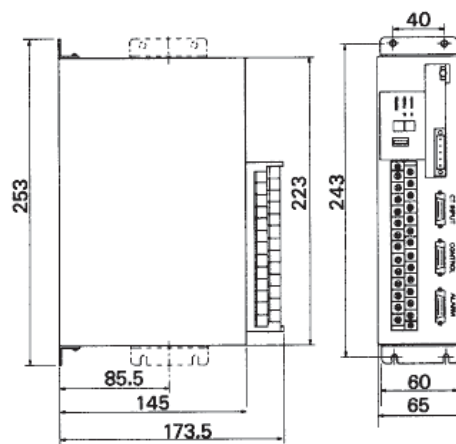
Serial Communications Model
(with Casing)



Serial Communications Model
(without Casing)



E5ZE-8□□□D1□B
(CompoBus/D Interface
with Casing)



Dimensions

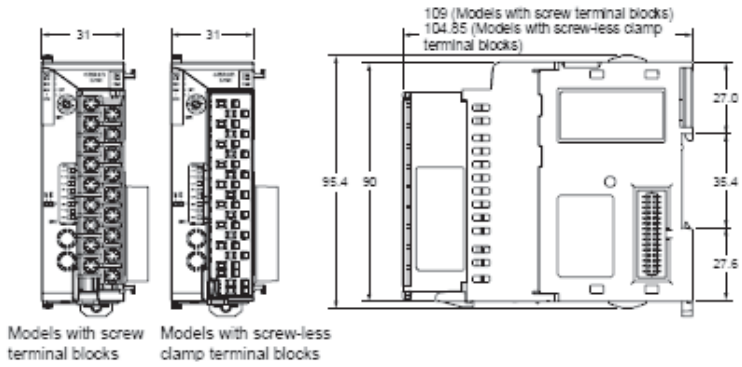
Recommendable replacement EJ1 series

Basic Units

EJ1N-TC

HFUs

EJ1N-HFU□-NFL□

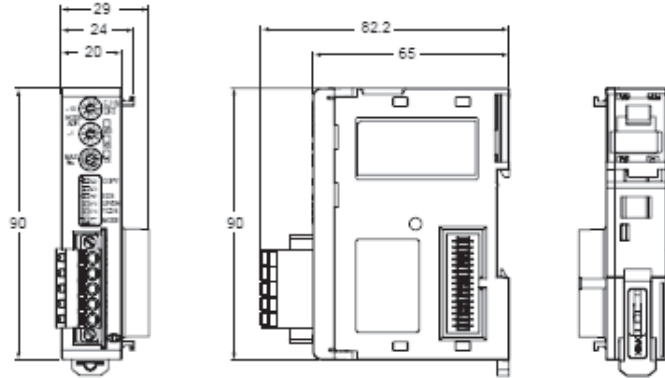


Models with screw terminal blocks

Models with screw-less clamp terminal blocks

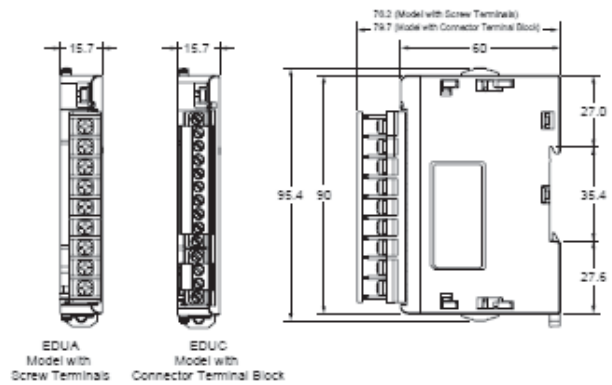
HFUs

EJ1N-HFUB-DRT



End Units

EJ1C-EDU



EDUA
Model with
Screw Terminals

EDUC
Model with
Connector Terminal Block

Characteristics

	Product discontinuation E5ZE series	Recommendable replacement EJ1 series
Supply voltage	24V DC	24V DC
Power consumption	15W +20% max at rated supply voltage	TC4: 5W max TC2A: 4W max
input type	Thermocouple: K,J,R,S,T,E,B,N,L,U,W,PL II Platinum resistance:Pt100, JPt100	
Control output	Voltage output (with short-circuit protecting function) ON: 12V \pm 1.2V DC Max load current: 30mA DC Current output Rated output range: 4 to 20mA DC Max load resistance: 600 Ω per point Open corrector output (NPN) Max applied voltage: 30VDC	Voltage output (with short-circuit protecting function) ON: 12V DC \pm 15% Max load current: 21mA DC Current output Rated output range: 4 to 20mA DC Max load resistance: 500 Ω per point Open corrector output (NPN) Max applied voltage: 30VDC
No of input control points	8 input and 8 control points	TC4: 4 inputs 4 control outputs TC2: 2 inputs 2 control outputs
Control modes	ON/OFF control, Hybrid of advanced PID control and fuzzy control or Manual operation	ON/OFF control, 2-PID control or Manual operation
Measurement accuracy	Thermocouple (\pm 0.3% of process value or \pm 2 $^{\circ}$ C, whichever greater) \pm 1digit max Platinum resistance thermometer (\pm 0.3% of process value or \pm 0.8 $^{\circ}$ C, whichever greater) \pm 1digit max	(\pm 0.5% of process value or \pm 1 $^{\circ}$ C, whichever greater) \pm 1digit max
Sampling period	200ms for 8 control points	250ms
Communications method	RS232C RS485/RS422 DeviceNet	RS232C/RS485 (HFU unit) RS485 (EDU unit) RS422 (HFU unit) DeviceNet (HFU unit)
Baud rate	- RS-485/RS-422/RS232C: 2400/4800/9600/19200bit/s - DeviceNet 125k/250k/500k bit/s	- RS-485/RS422/RS232C 9600/19200/38400/57600/115200bit/s - DeviceNet 125k/250k/500k bit/s
Communications protocol	SYSWAY, DeviceNet	CompoWay/F, Modbus RTU, Omron PLC protocol, MC protocol (form 5), AnA/AnU CPU protocol, DeviceNet