

## Product Discontinuation Notices

Vision Sensors / Machine Vision Systems

December 3, 2012  
No. 2012312E

### Discontinuation Notice of Stereo Vision Sensor F210-ST Series.

#### Product Discontinuation

Stereo Vision Sensor

- Model F210-C10-ST**
- Model F210-CAL1-ST**
- Model F210-LT1-ST**
- Model F210-ST10**
- Model F210-ST15**
- Model F210-ST20**



#### Recommended Replacement

No recommended replacement


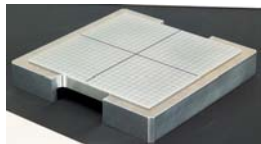

#### [ Discontinuation date ]

The end of March, 2013

#### [ Product Discontinuation and recommended replacement ]

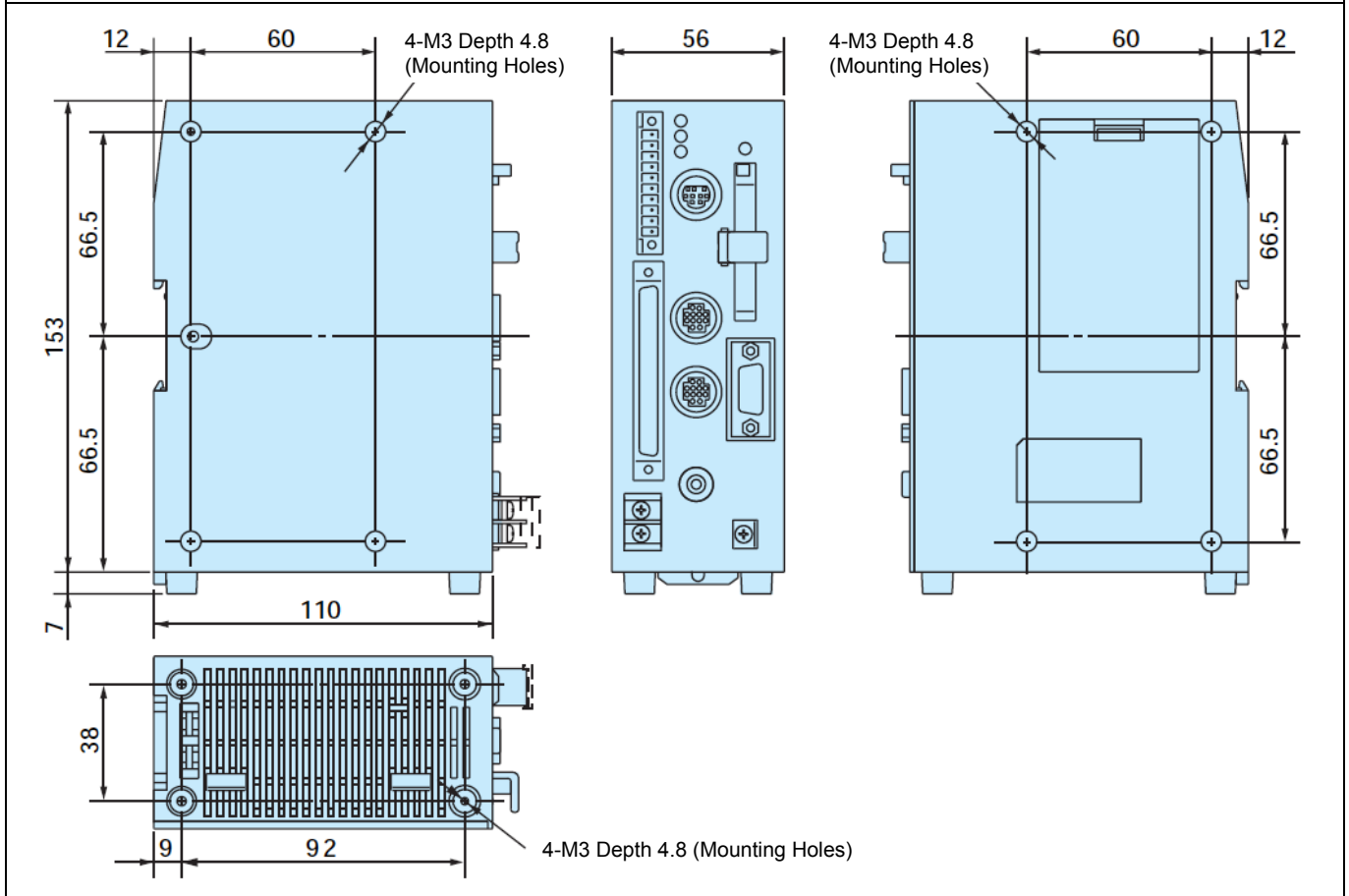
Product discontinuation	Recommended replacement
Controller F210-C10-ST	No recommended replacement  Please contact to our sales stuff about the Recommended replacement product.
Calibration Tool F210-CAL1-ST	
Pattern Lighting F210-LT1-ST	
Stereo Camera F210-ST10	
Stereo Camera F210-ST15	
Stereo Camera F210-ST20	

#### [ Body color ]

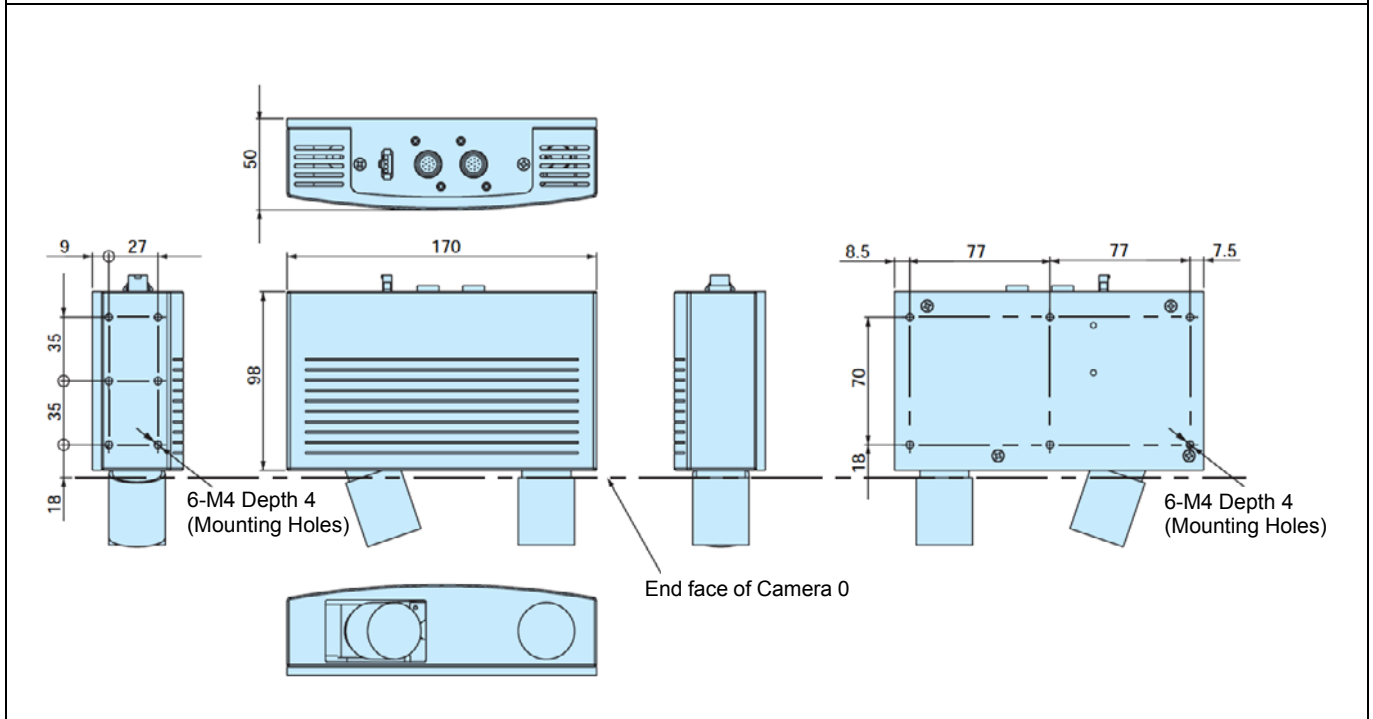
Product discontinuation Model F210-ST Series	
 <p>Stereo Camera Model F210-ST10/ST15/ST20</p>	 <p>Calibration Tool Model F210-CAL1-ST</p>  <p>Pattern Lighting Model F210-LT1-ST</p>

[ Dimensions ]

**Product discontinuation**  
**Controller Model F210-C10-ST**



**Product discontinuation**  
**Stereo Camera Model F210-ST10/15/20**



[ Characteristics ]

Item	Product discontinuation Controller Model F210-C10-ST
Connected Camera	Model F210-ST10/ST15/ST20, Model F160-S2
No. of Cameras	Stereo Camera: 1 set, Double-Speed Camera: 2 pcs.
Processing resolution	512(H) × 484(V)
No. of scenes	31 scenes (Expansion possible using Memory Card.)
Image storage function	Maximum of 35 images stored
Filtering	Smoothing (strong, weak), edge enhancement, edge extraction (horizontal, vertical, both horizontal and vertical), dilation, erosion, median, background suppression
Operation/Settings	Combination and settings of measurement items by the operation in Menu
Menu Language	Japanese
Trend Monitor Function	Yes
Number of slots for Memory Cards	1 Slot
Monitor interface	1CH
Network communications	None
Serial communications	RS-232C/422A 1CH
Parallel I/O	13 inputs and 23 outputs
Strobe interface	2CH (including in Parallel Output points)
Power supply voltage	20.4 to 26.4 VDC
Current consumption	Approx. 1.6 A max.
Ambient temperature	Operating: 0 to 50 °C Storage: -25 to 65 °C (with no icing or condensation)
Ambient humidity	Operating and storage: 35 %RH to 85 RH% (with no condensation)
Weight (with packing)	Approx. 1.6 kg (Controller only: Approx. 570 g)
Accessories	Mounting brackets, Connector for I/O Terminals, Ferrite Core for Monitor Cable, Operation Manual (CD-ROM), Instruction Manual

Item	Product discontinuation Stereo Camera		
Model	F210-ST10	F210-ST15	F210-ST20
Installation distance	280 mm	380 mm	380 mm
Field of Vision	30 to 50 mm	40 to 70 mm	50 to 100 mm
Measurement precision at Z direction	0.1mm	0.15 mm	0.2 mm
Picture element	1/3" Interline CCD		
Effective pixels	659(H) × 494(V)		
Shutter	Electronic shutter; select from 8 shutter-speed settings (1/120 to 1/20,000 s) using menu.		
Ambient temperature	Operating: 0 to 40 °C Storage: -20 to 60 °C (with no icing or condensation)		
Ambient humidity	Operating and storage: 35 %RH to 85 %RH (with no condensation)		
Weight	Approx. 610 g (Camera only)	Approx. 570 g (Camera only)	
Accessories	Mounting brackets, Instruction Manual		

Item	Product discontinuation Pattern Lighting Model F210-LT1-ST
<b>Light source</b>	Red LEDs
<b>Current consumption</b>	0.35 A
<b>Illumination method</b>	Pulse Illumination
<b>Ambient temperature</b>	Operating: 0 to 40 °C Storage: 0 to 50 °C
<b>Ambient humidity</b>	Operating and storage: 20 %RH to 80 %TH (with no condensation)
<b>Lens mount</b>	C-Mount
<b>Cord Length</b>	40 cm
<b>Weight</b>	Approx. 130 g (Lighting Only)
<b>Accessories</b>	Instruction manual

**As of December, 2012**

In the interest of product improvement, specifications are subject to change without notice.